

SPECIFICATION OF LED DISPLAY

Outer Dimension

Length:	69.7 mm
Width:	47.8 mm
Thickness:	12 mm
Emitted Color	RED
Lead Pitch	2.54 mm

Absolute Masimum Ratings)

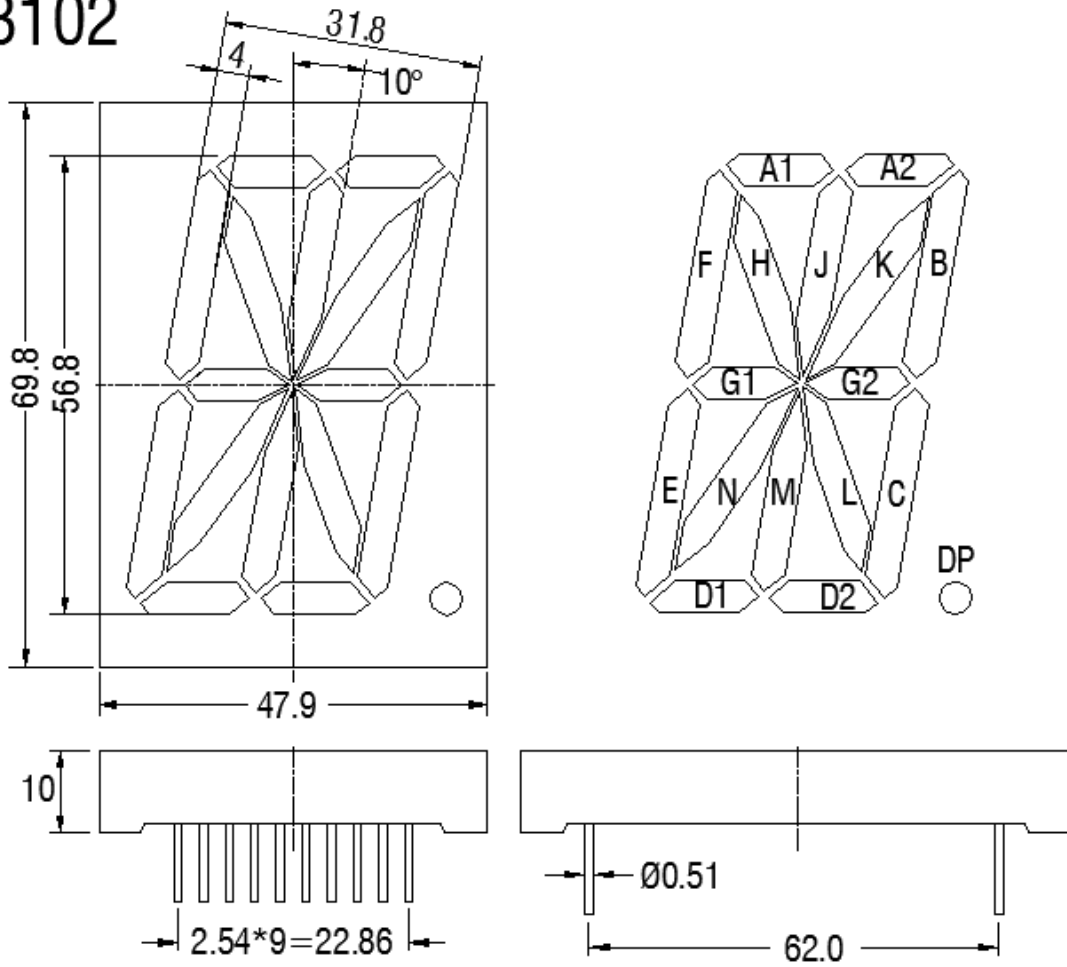
Item	Symbol	(Max)			Unit
		red	yellow	green	
(Power Dissipation)	Pd	57	57	57	mW
(Peak Forward Current)	Ifp	80	80	80	mA
Continuous Forward Current)	Ifm	20	20	20	mA
Reverse Voltage)	VR	5	5	5	V
(Operating Temperature Range)	Topr	-40~+80	-40~+80	40~+80	°C
(Storage Temperature Range)	Tstg	-40~+85	40~+85	40~+85	°C
(STATIC Voltage)	Var	-----	-----	-----	V

(Optical-Electrical Characteristic)

(Parameter)	TEST CONDITING)	Symbols	Min	Type	Max	Unit
(Luminous Intensity)	If=20mA	IV	55	60	70	Mcd
(Forward Voltage)	If=20mA	VF	1.9	2.0	2.03	V
(Revbrse Current)	VR=5V	IR	-	-	100	uA
(Peak Wavelength)	If=20mA	λ_p	620	621	623	nm
(Spectral Bandwidth)	If=20mA	$\Delta \lambda$	-	5		nm
(View Angle)	If=20mA	20 _{1/2}	-	60		Deg

Package Dimensions And Internal Circuit Diagram
PACKAGE DIMENSION

R23102



INTERNAL CIRCUIT DIAGRAM

