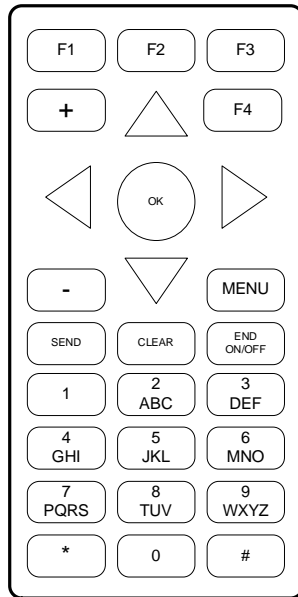


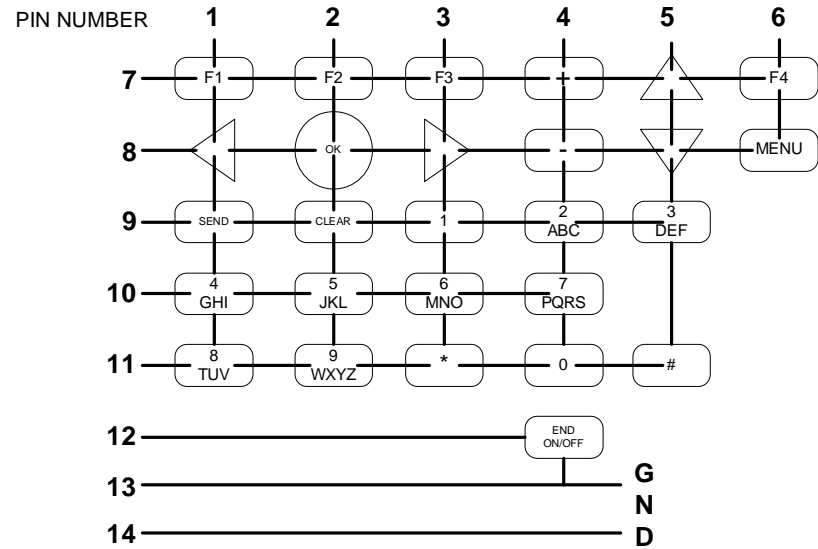
RECTANGULAR BUTTONS
0.406" X 0.219"



OVERALL KEYPAD
DIMENSIONS:
1.848" X 3.721"

KEYPAD TAIL:
1.50" LONG
0.5MM PITCH
14 CONDUCTOR
CONTACTS TOP SIDE

MATING CONNECTOR:
MOLEX PN 52207-1485



SCHEMATIC

VOIP KEYPAD

REV 3 8/7/07