



**2 X 15Watt Class-D Audio
Amplifier - TA2024
User's Guide**



2 X 15WATT CLASS-D AUDIO AMPLIFIER - TA2024 USER'S GUIDE

Table of Contents

Chapter 1. Overview	1
1.1 Overview	1
1.2 Features	1
Chapter 2. How to Connect Load	3
Chapter 3. Mechanical Drawing.....	4
Chapter 4. Contact Us	5

2 X 15Watt Class-D Audio Amplifier - TA2024

NOTES:

Product Version : Ver 1.4

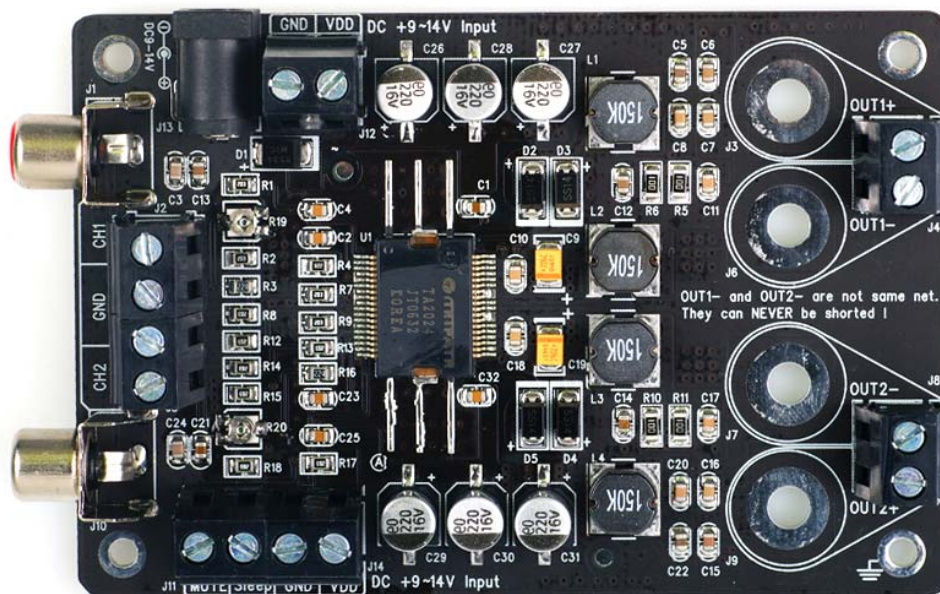
Document Version : Ver 1.0

Chapter 1. Overview

1.1 Overview

Thanks for using this 2 X 15Watt Class-D Audio Amplifier by Sure Electronics. This product provides an easy engineering evaluation platform for Tripath Technology's TA2024 product. It is capable of delivering up to 15W each channel. Powered by DC 12V, it can be used to drive any passive 4 or 8Ω speakers.

FIGURE 1-1 TOPVIEW



Note: All the diagrams in this manual are for reference only.

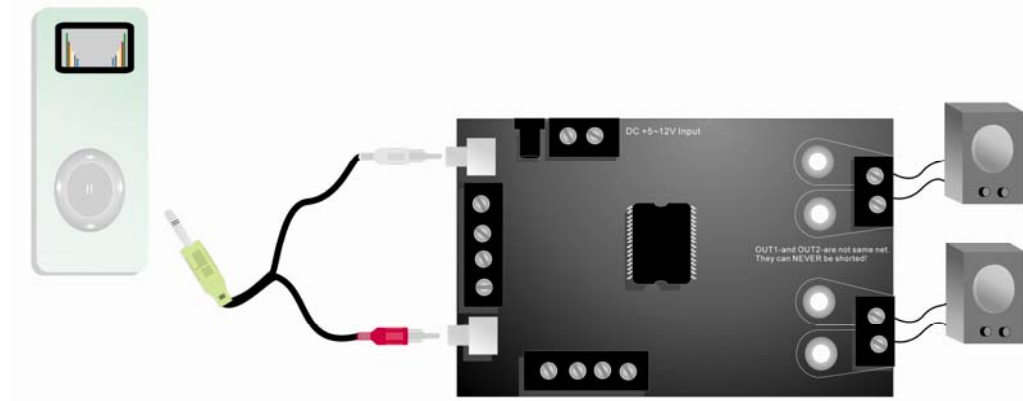
1.2 Features

- Class-T architecture
- Proprietary Digital Power Processing Technology
- Requires single +12V power source
- Output Power (per channel @ VS = 12V):
 15W per channel (4Ω, 10% THD+N)
 10W per channel (4Ω 0.1%, THD+N)
- "Audiophile performance" typically:
 0.04% THD+N (9Wrms, 4Ω)
 0.18% IHF-IM (1Wrms, 4Ω)
- Efficiency - >88% @ full power (RL = 8Ω)
- No heat sink required up to 15W per channel
- MUTE and SLEEP inputs
- Turn-on & turn-off pop suppression
- Intelligent short-circuit protection
- Intelligent over-temperature protection

2 X 15Watt Class-D Audio Amplifier - TA2024

- Takes standard audio line output from any sound system
- Cost-effective 2-layer PCB design
- 36-pin Power SOP package

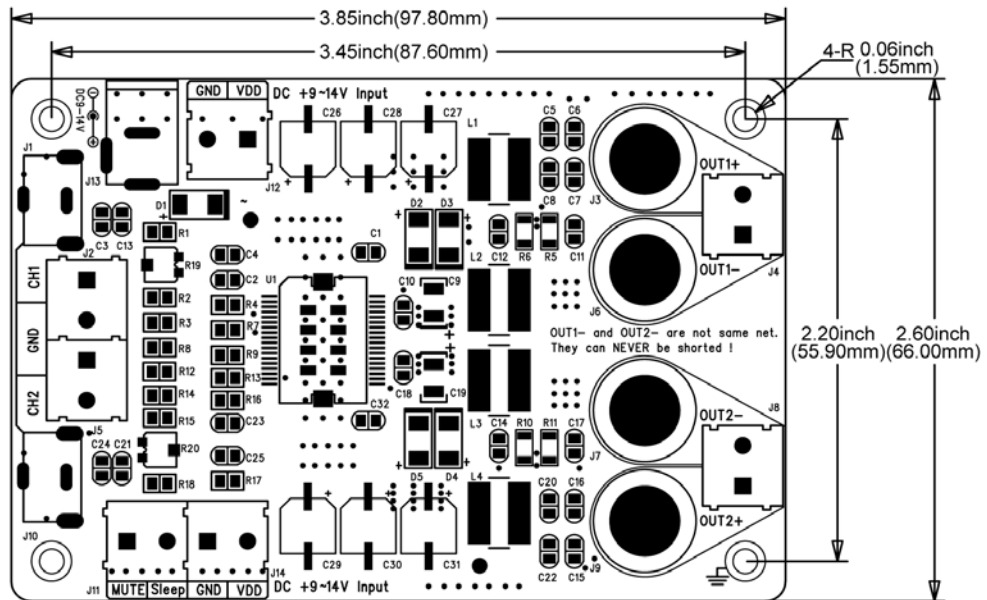
Chapter 2. How to Connect Load

FIGURE 2-1 LOAD CONNECTION**Note:**

1. GND should be connected to GND or the housing of your instrument.
2. There are two audio-input methods. One is via audio input. Another is via terminals (J2, J5).
3. There are two audio-output methods. One is via terminals (J3 and J9). Another is via corresponding banana jack.

Chapter 3. Mechanical Drawing

FIGURE 3-1 MECHANICAL DRAWING





2 X 15WATT CLASS-D AUDIO AMPLIFIER - TA2024 USER'S GUIDE

Chapter 4. Contact Us

Sure Electronics Co., Ltd.
East zone, 3F, Building 6
Jingang Technology Innovation Center
No.108 Ganjiabian Rd (ZIP: 210000)
Qixia District
Nanjing
P.R.China
Tel: +86-25-68154800-860
Fax: +86-25-68154891-832
Website: www.sure-electronics.com
Email: customerservice@sure-electronics.com