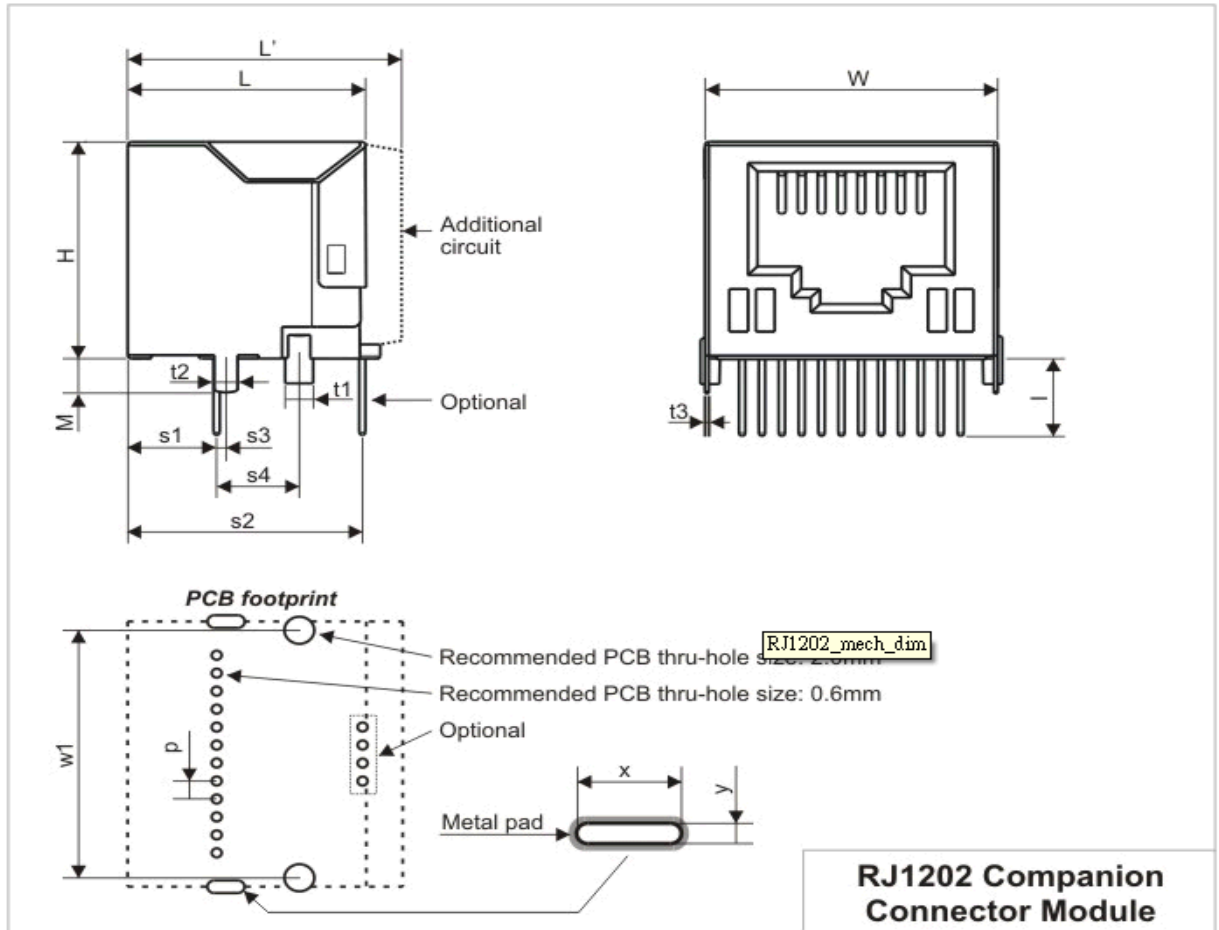


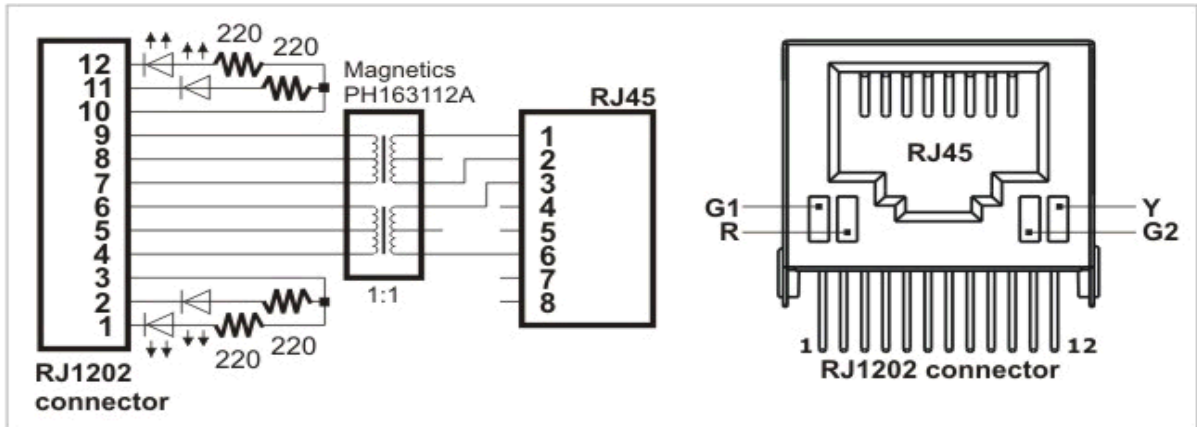
Pin Assignment and Pin Functions



L	Max.	15.5	Module length
L'	Max.	18.0	Module length with additional circuit (circuit to be detailed later)
W	Max.	19.0	Module width excluding mounting holders
H	Max.	15.5	Module height

I	Min.	6.0	Lead length
M	Min.	2.5	Height of solder pins
t1	Aver.	1.8	Mounting holder diameter
t2	Aver.	1.55	Solder pin width
t3	Aver.	0.25	Solder pin thickness
p	Aver.	1.27	Pin pitch
s1	Aver.	5.7	Distance from device "face" to the leads
s2	Aver.	15.05	Distance from device "face" to the optional leads of additional circuit
s3	Aver.	0.6	Distance from leads to the mounting solder pins
s4	Aver.	5.3	Distance from leads to the mounting holders
w1	Aver.	18.2	Distance between the centers of mounting holders
x	Min.	1.7	Solder pin through-hole dimension
y	Min.	0.5	Solder pin through-hole dimension

Pin Assignment and Pin Functions



Pin #	Function	Description
1	LG1	Green LED #1, cathode (minus) side, 220 Ohm series resistor present.
2	LR	Red LED, cathode (minus) side, 220 Ohm series resistor present.
3	LC1	Common anode (plus) side of LG1 and LR.
4	RX-	Negative line of the differential input signal pair.
5	RXC	Central tap of RX-/RX+ transformer winding.
6	RX+	Positive line of the differential input signal pair.
7	TX-	Negative line of the differential output signal pair.
8	TXC	Central tap of TX-/TX+ transformer winding.
9	TX+	Positive line of the differential output signal pair.
10	LC2	Common anode (plus) side of LG2 and LY.

11	LG2	Green LED #2, cathode (minus) side, 220 Ohm series resistor present.
12	LY	Yellow LED, cathode (minus) side, 220 Ohm series resistor present.

Specifications and RJ1202 Modifications

The RJ1202 has a single sub-model in circulation- the RJ1202-00. Other sub-models are planned to be released in the future. These sub-models may carry additional row of pins on the back of the device and also have an additional "electronic circuit" that will increase the length of the RJ1202. For details see Mechanical Dimensions.

Device specifications are presented in the table below.

Parameter	RJ1202-00
Ethernet magnetics	10/100BaseT, YCL part PH163112A built-in
Device temperature during operation	Room
Operating temperature	-10 to +70 degrees C

Operating relative humidity	10-90%
Mechanical dimensions (excl. leads)	App. 15.5x19x15.5mm
Packing	Tray, 30 modules/tray