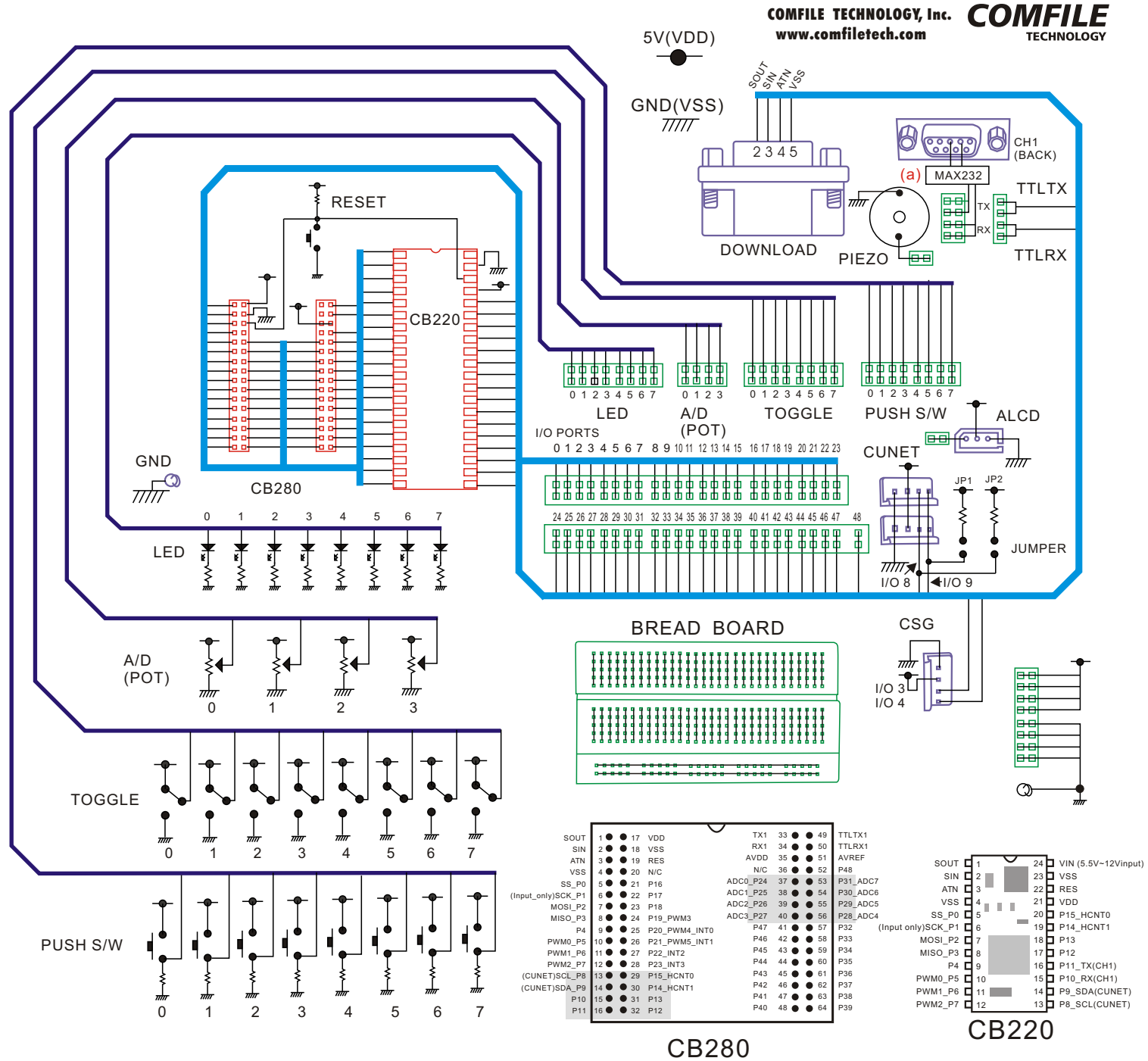
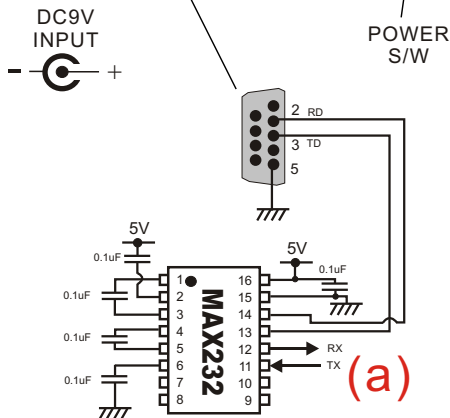
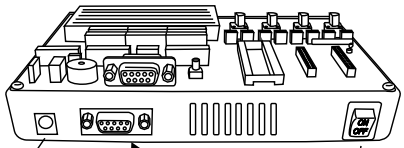
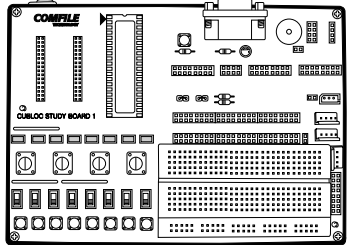


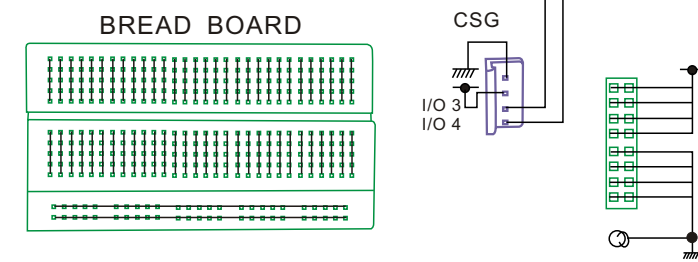
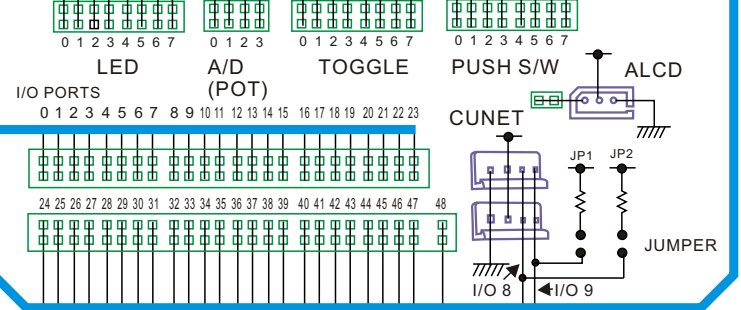
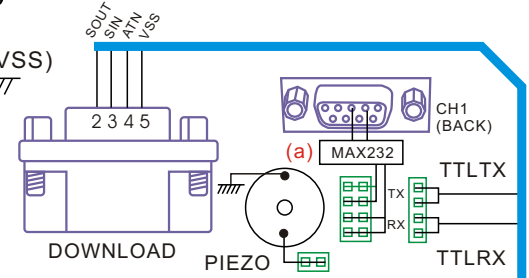
CUBLOC STUDY BOARD 1

SCHEMATIC



COMFILE TECHNOLOGY, Inc. **COMFILE**
www.comfiletech.com TECHNOLOGY

5V(VDD)
GND(VSS)



SOUT	17	VDD	TX1	33	49	TTLTX1	1
SIN	18	VSS	RX1	34	50	TTLRX1	2
ATN	19	RES	AVDD	35	51	AVREF	3
VSS	20	N/C	N/C	36	52	P48	4
SS_P0	21	P16	ADC0_P24	37	53	P31_ADC7	5
(Input_only)SCK_P1	22	P17	ADC1_P25	38	54	P30_ADC6	6
MOSI_P2	23	P18	ADC2_P26	39	55	P29_ADC5	7
MISO_P3	24	P19_PWM3	ADC3_P27	40	56	P28_ADC4	8
P4	25	P20_PWM4_INT0	P47	41	57	P32	9
PWM0_P5	26	P21_PWM5_INT1	P46	42	58	P33	10
PWM1_P6	27	P22_INT2	P45	43	59	P34	11
PWM2_P7	28	P23_INT3	P44	44	60	P35	12
(CUNET)SCL_P8	29	P15_HCNT0	P43	45	61	P36	13
(CUNET)SDA_P9	30	P14_HCNT1	P42	46	62	P37	14
P10	31	P13	P41	47	63	P38	15
P11	32	P12	P40	48	64	P39	16
							17
							18
							19
							20
							21
							22
							23
							24

CB280

CB220