

## VLE8

**LI-ION/POLYMER BALANCE CHARGER**

**LI-ION/LIPO-BALANSLADER**

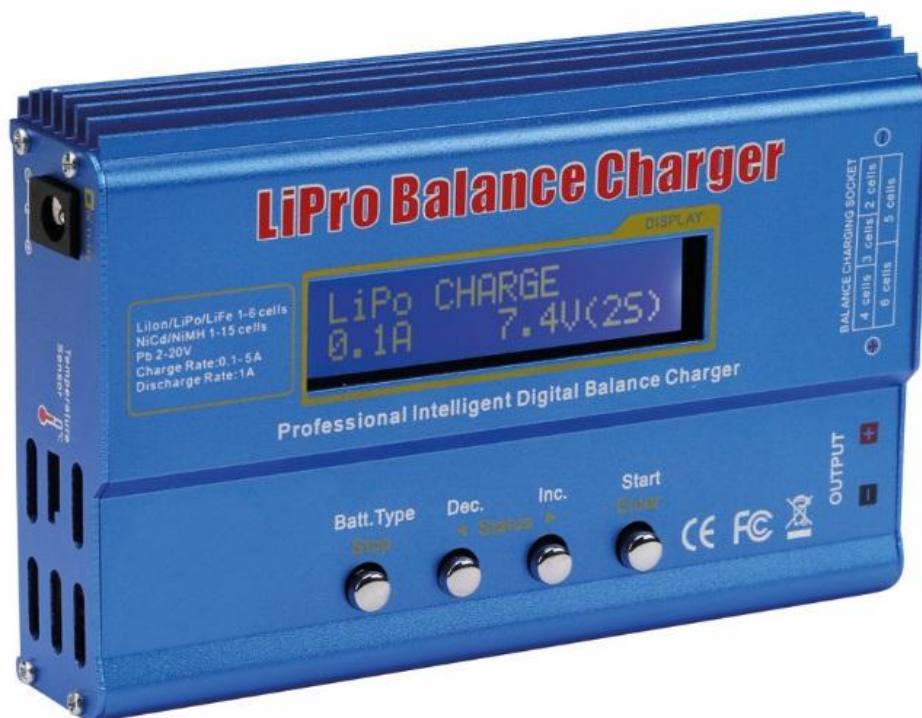
**CHARGEUR ÉQUILIBREUR POUR ACCUS LI-ION/LIPO**

**CARGADOR BALANCEADOR PARA BATERÍAS LI-ION/LIPO**

**LADGERÄT MIT BALANCER FÜR LI-ION-/LIPO-AKKUS**

**ŁADOWARKA Z BALANSEM DO AKUMULATORÓW LITOWO-JONOWYCH/POLIMEROWYCH**

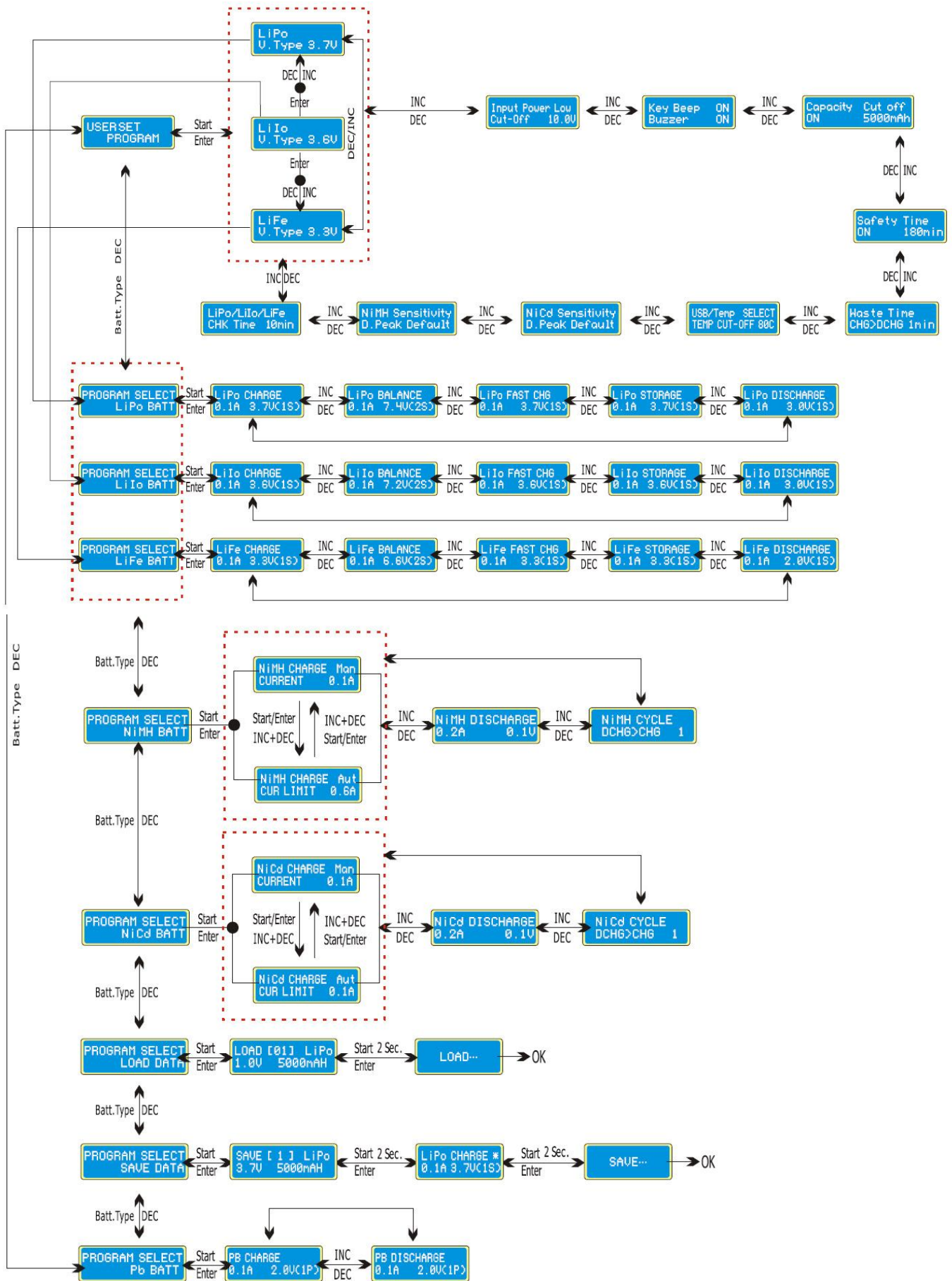
**CARREGADOR LI-ION/POLYMER**



|                      |    |
|----------------------|----|
| USER MANUAL          | 4  |
| HANDLEIDING          | 18 |
| MODE D'EMPLOI        | 33 |
| MANUAL DEL USUARIO   | 48 |
| BEDIENUNGSANLEITUNG  | 63 |
| INSTRUKCJA OBSŁUGI   | 78 |
| MANUAL DO UTILIZADOR | 93 |







# USER MANUAL

## 1. Introduction

To all residents of the European Union

### Important environmental information about this product



This symbol on the device or the package indicates that disposal of the device after its lifecycle could harm the environment. Do not dispose of the unit (or batteries) as unsorted municipal waste; it should be taken to a specialized company for recycling. This device should be returned to your distributor or to a local recycling service. Respect the local environmental rules.

**If in doubt, contact your local waste disposal authorities.**

Thank you for choosing Velleman! Please read the manual thoroughly before bringing this device into service. If the device was damaged in transit, do not install or use it and contact your dealer.

## 2. Safety Instructions

|  |   |
|--|---|
|  | Never leave this charger unattended when it is connected to its power supply. If any malfunction is found, terminate the process at once!   |
|  | Keep this device away from dust and extreme temperatures.   |
|  | This charger and the connected battery should be put on a heat-resistant, non-flammable and non-conductive surface. Never place them on a car seat, carpet or similar. Keep all inflammable materials away from the charger and battery.  |
|  | To avoid short circuit between the charge leads, always connect the charge cable to the charger first, then connect the battery. Reverse the sequence when disconnecting.   |
|  | Do not connect more than one battery at any one time.   |
|  | Never attempt to charge or discharge following battery types: <ul style="list-style-type: none"> <li>• a battery, which consists of different types of cells</li> <li>• a battery that is already fully charged or slightly discharged</li> <li>• a battery, which requires a different charge technique from the techniques described in this manual</li> <li>• a faulty or damaged battery</li> <li>• a battery fitted with an integral charge circuit or protection circuit</li> <li>• a battery installed in a device or electrically linked to other components</li> <li>• a battery not described in this manual</li> </ul> |

## 3. Warning and Safety Notes

| NiCd/NiMH                            |   |
|--------------------------------------|---|
| voltage level                        | 1.2 V/cell                                |
| allowable fast charge current        | 1-2 A (depending on the cell performance) |
| discharge voltage cut-off level      | 0.85 V/cell (NiCd), 1.0 V/cell (NiMH)     |
| Li-ion                               |   |
| voltage level                        | 3.6 V/cell                                |
| max. charge voltage                  | 4.1 V/cell                                |
| allowable fast charge current        | ≤ 1 A                                     |
| min. discharge voltage cut-off level | ≥ 2.5 V/cell                              |
| Li-poly                              |   |
| voltage level                        | 3.7 V/cell                                |
| max. charge voltage                  | 4.2 V/cell                                |
| allowable fast charge current        | ≤ 1 A                                     |
| discharge voltage cut-off level      | ≥ 3.0 V/cell                              |

**Li-Fe**

|                                 |              |
|---------------------------------|--------------|
| voltage level                   | 3.3 V/cell   |
| max. charge voltage             | 3.6 V/cell   |
| allowable fast charge current   | ≤ 4 A        |
| discharge voltage cut-off level | ≥ 2.0 V/cell |

**Pb**

|                                 |               |
|---------------------------------|---------------|
| voltage level                   | 2.0 V/cell    |
| max. charge voltage             | 2.46 V/cell   |
| allowable fast charge current   | ≤ 0.4 A       |
| discharge voltage cut-off level | ≥ 1.75 V/cell |

## 4. General Guidelines

Refer to the **Velleman® Service and Quality Warranty** on the last pages of this manual.



Protect this device from shocks and abuse. Avoid brute force when operating the device.

- Familiarise yourself with the functions of the device before actually using it.
- All modifications of the device are forbidden for safety reasons. Damage caused by user modifications to the device is not covered by the warranty.
- Only use the device for its intended purpose. All other uses may lead to short circuits, burns, electroshocks, crash, etc. Using the device in an unauthorized way will void the warranty.
- Damage caused by disregard of certain guidelines in this manual is not covered by the warranty and the dealer will not accept responsibility for any ensuing defects or problems.
- **Do not** use outside the technical specifications.
- Nor Velleman nv nor its dealers can be held responsible for any damage (extraordinary, incidental or indirect) – of any nature (financial, physical...) arising from the possession, use or failure of this product.
- Due to constant product improvements, the actual product appearance might differ from the shown images.
- Product images are for illustrative purposes only.
- Do not switch the device on immediately after it has been exposed to changes in temperature. Protect the device against damage by leaving it switched off until it has reached room temperature.
- Keep this manual for future reference.

## 5. Features

The VLE8 is an advanced charger, able to charge, balance and discharge rechargeable batteries. It is microprocessor-controlled just like all the best chargers and will balance the individual cells in your Li-XX batteries. It will charge from 0.1 to 5.0 A and is capable of charging packs up to 6S packs. It features input voltage protection so as not to flatten your car battery at the field and will also storage charge your packs for when you are not using them. You can power it with any power supply delivering from 11 to 18 V.

- microprocessor-controlled
- delta-peak sensitivity
- individual cell balancing
- supports: Li-ion, Li-poly, Li-Fe, NiCd, NiMH
- wide range of charge currents
- storage charge function
- time limit function
- input voltage monitoring (protects car batteries at the field)
- data storage (stores up to 5 packs in its memory)
- battery break-in and cycling

### Special Features

**Optimized operating software:** The charger features an automatic function that sets the feeding current during charging and discharging. Especially for lithium batteries, it can prevent from overcharging, which may lead to an exploding battery. The function automatically disconnects the circuit and buzzes if the malfunction is detected. All the settings are configurable by the user.



**Internal, independent lithium battery balancer:** The charger features an individual cell-voltage balancer, which makes it unnecessary to use an external balancer for balance charging.

**Individual cell balancing during discharging:** During discharging, the charger will individually monitor and balance each cell in the battery. When the voltage of any cell is deemed abnormal, an error message will be displayed and the discharging process will end automatically.

**Adaptable to various types of lithium batteries:** The charger is suitable for various types of lithium batteries, such as Li-ion, Li-poly and Li-Fe.

**Fast and storage modes for lithium batteries:** The charger features special functions to suit various purposes: the fast charge mode considerably reduces the charge duration whereas the storage mode keeps the battery at an ideal storage voltage.

**PC-based analysis via USB:** The charger offers a PC-based function in order to analyse the battery's characteristics. The function features a voltage, current and capacity graph, and also shows each cell's voltage for lithium batteries. The USB adapter is available separately.

**Maximum safety:** The automatic charge termination programme is based on the principle of the delta-peak voltage detection: when the battery's voltage exceeds the threshold, the process ends automatically.

**Automatic charging current limit:** Charging NiCd and NiMH batteries can be set with the charging current upper limit. It is useful batteries with low impedance and capacity when charging them in auto mode.

**Capacity limit:** The charging capacity is always calculated as the charging current multiplied by the time. If the charging capacity exceeds the limit, the process will be terminated automatically when setting the maximum value.

**Temperature threshold:** The battery's internal chemical reaction will cause the battery's temperature to rise. If the temperature limit is reached, the process will be terminated. Only available with optional temperature probe.

**Processing time limit:** The charger can be set with a maximum process time to avoid any possible effect.

**Data storage and loading:** The charger has a data memory bank for maximum five batteries. Different programmes can be stored and loaded for your convenience.

**Cyclic charging and discharging:** To stimulate the battery's activity, one to five cyclic and continuous charge-to-discharge or discharge-to-charge programmes are available for battery refreshing and balancing.

## 6. Overview

Refer to the illustrations on page 2 of this manual.

|   |                    |
|---|--------------------|
| 1 | LCD display        |
| 2 | JST XH port        |
| 3 | charge lead output |
| 4 | START/ENTER button |

|   |                          |
|---|--------------------------|
| 5 | DECREASE/INCREASE button |
| 6 | battery TYPE/STOP button |
| 7 | temperature sensor port  |

## 7. Menu – Programme Flow Chart

Refer to the illustrations on pages 3 of this manual.

## 8. Connection Diagram

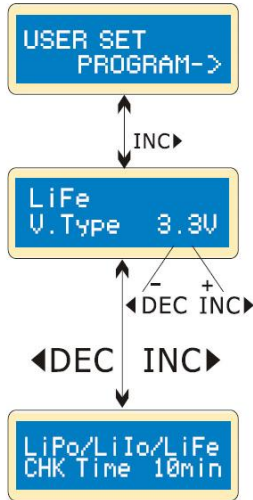
Please connect your battery and charger as follows when using the balance charge mode. The main battery must be connected with the balance lead connector before charging. Failure to do so will damage the charger!



## 9. Operation

### 9.1 Initial Setup

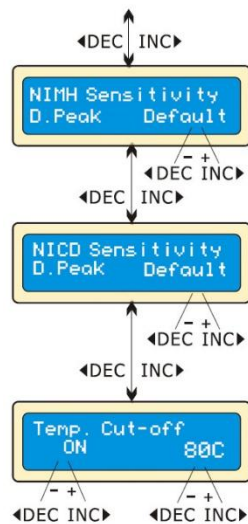
By default, this charger will be set to the user settings when first connecting an 11-18 V $\overline{\text{DC}}$  load. To alter the parameters, press START/ENTER and change the value with INC/DEC. Store the value by pressing START/ENTER once.



#### Starting screen

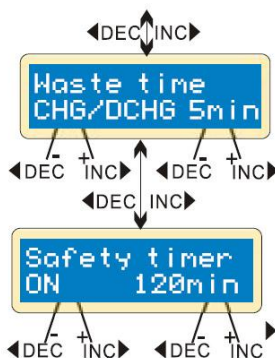
This screen displays the nominal voltage of the lithium battery. There are three kinds of lithium batteries: Li-Fe (3.3 V), Li-Io (3.6 V) and Li-poly (3.7 V). This is very important for the correct setup as a wrong value may damage the battery during the charging process.

This charger automatically recognizes the battery type. However, a deeply discharged battery can be perceived incorrectly. To prevent errors and damage, please set the term time – at about 10 minutes or even more for larger batteries – so the charger will recognize the battery correctly. If in doubt, leave the term time to the default setting.



Display of the trigger voltage for automatic charge termination of NiMH and NiCd batteries. The effective value ranges from 5 to 20 mV per cell. If the trigger voltage is set higher, there is a danger of overcharging the battery; if it set lower, there is a possibility of premature termination. Please refer to the battery's specifications (NiCd default: 12 mV, NiMH default: 7 mV).

An optional feature is the temperature cut-off option using a temperature probe contacting the surface of the battery. If this option is on, set the maximum temperature at which the charger should allow the battery to reach during charging. Once a battery reaches this temperature during charging, the process will stop to protect the battery.

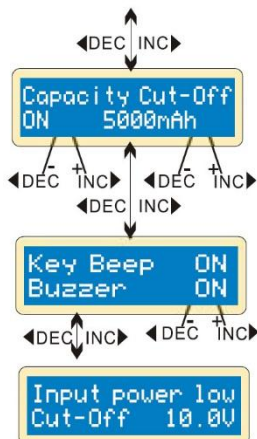


The battery warms after each charging/discharging cycle. The programme will insert a time delay after each charging/discharging cycle to allow the battery to cool down before beginning the next cycle. The valid value ranges from 0 to 60 minutes.

When the charging process starts, the integrated safety timer starts running simultaneously. If an error is detected or the termination circuit cannot detect whether the battery is fully charged or not, the charger is programmed to prevent overcharging.

**Safety Timer Settings**

| capacity in mAh | current | safety timer                       |
|-----------------|---------|------------------------------------|
| 2000            | 2.0 A   | $(2000/2.0 = 1000)/11.9 = 84$ min. |
| 3300            | 3.0 A   | $(3300/3.0 = 1100)/11.9 = 92$ min. |
| 1000            | 1.2 A   | $(1000/1.2 = 833)/11.9 = 70$ min.  |



The programme provides maximum protection. If the delta-peak voltage cannot be detected or the safety timer times out, the charging process will stop automatically when the battery reaches the user-set maximum charging capacity.

A beep sounds every time a button is pressed or a different mode is selected. The beep function can be switched on or off.

This function monitors the voltage of the input battery used to power this charger. If the voltage is lower than the user-set value, the programme will end forcibly to protect the input battery.

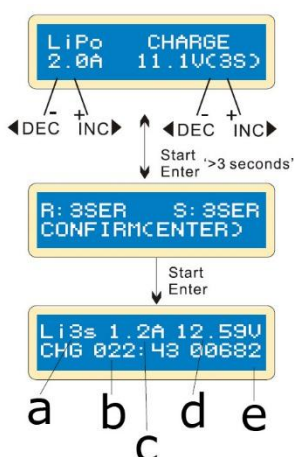
**9.2 The Lithium Programme (Li-ion, Li-poly, Li-Fe)**

This charger is only suitable for charging lithium batteries with a nominal voltage of 3.3, 3.6 or 3.7 V. Different batteries have different charging techniques. There are two charging methods: the constant voltage and the constant current method. The charge current varies according to the battery capacity and specification. The final voltage is very important and should precisely match the voltage of the battery: Li-poly is 4.2 V, Li-ion is 4.1 V and Li-Fe is 3.6 V.

When you want to change the parameters, press START/ENTER to select and change the value with INC/DEC. Store the value by pressing START/ENTER once.

**Charging a Lithium Battery in Charge Mode**

This mode will charge a Li-poly, Li-ion, or Li-Fe battery without balance lead.



This display shows the battery type with the user-set current value (left) and the charging value (right). Hold START/ENTER pressed for 3 seconds to start the charging process.

This display shows the user-set number of cells. R shows the number of cells detected by the charger; S shows the previously set number of cells. If both numbers are identical, you can start the charging process by pressing START/ENTER. If not, press TYPE/STOP to go back to the previous screen and carefully check the number of cells of the battery.

This display shows the real-time charging status. Press TYPE/STOP to stop the charging process.

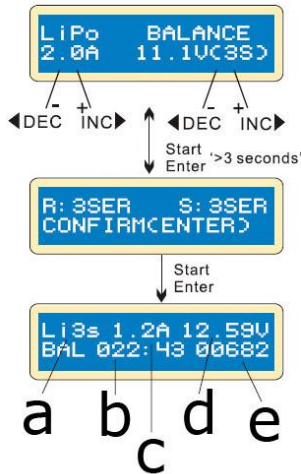
- a. number of cells
- b. charging time
- c. charging current
- d. battery voltage
- e. charged capacity



### Charging a Lithium Battery in Balance Mode

This mode balances the voltage of the Li-poly battery cells while charging. In this mode, the battery needs a balance lead to connect to the individual balance port. The battery's power lead must be connected to the charger's output.

Charging in this mode is different from the normal modes, as the built-in processor monitors the voltage of the individual cells and controls the input current fed into each cell to the equalized voltage of the individual cell.



This display shows the battery type with the user-set current value (left) and the charging value (right). Hold START/ENTER pressed for 3 seconds to start the charging process.

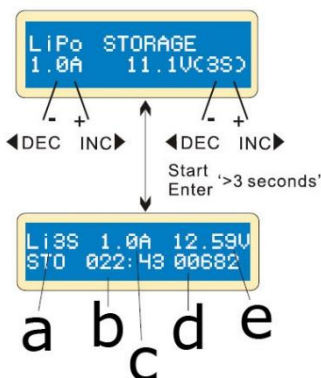
This display shows the user-set number of cells. R shows the number of cells detected by the charger; S shows the previously set number of cells. If both numbers are identical, you can start the charging process by pressing START/ENTER. If not, press TYPE/STOP to go back to the previous screen and carefully check the number of cells of the battery.

This display shows the real-time charging status. Press TYPE/STOP to stop the charging process.

- number of cells
- charging time
- charging current
- battery voltage
- charged capacity

### Charging a Lithium Battery in Fast Mode

The charging current decreases when the charging process reaches its end. A specific CV process will be reduced to end the charging process earlier. In fact, the charging current will go to 1/5 when the charging process is at 1/10. The charging capacity will be a little less than normal charging, but charging time will be shortened accordingly.



Here, you can set the battery's current and voltage. Charging and discharging will make the battery come to the storage voltage level.

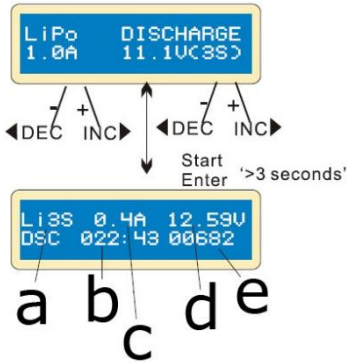
This display shows the real-time charging status. Press TYPE/STOP to stop the charging process.

- number of cells
- elapsed time
- charging or discharging current
- supplied capacity
- current battery voltage

**Charging a Lithium Battery in Storage Mode**

This function is useful when you desire to charge or discharge a battery, which will not be used immediately. This programme is only to be used with following batteries: Li-poly of 3.85 V, Li-ion of 3.75 V and Li-Fe of 3.3 V. the battery will be discharged if the original state exceeds the storage voltage level.

**Discharging a Lithium Battery**



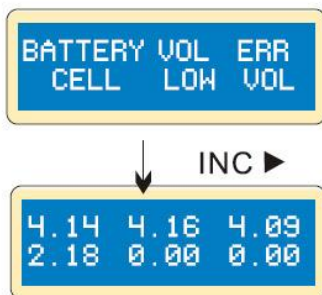
This display shows the real-time discharging status. Press TYPE/STOP to stop the discharging process.

The discharge current value on the left may not exceed 1.0 A; the value on the right may not drop below the voltage recommended by the manufacturer to avoid discharging. Hold START/ENTER pressed for 3 seconds to start the discharging process.

- a. number of cells
- b. elapsed time
- c. discharging current
- d. battery voltage
- e. discharged capacity

**Voltage Balancing and Monitoring During the Discharging Process**

During storage charging and discharging, the charger monitors the voltage of each cell. When it detects an abnormal cell, the charger will display the error and stop the process. Press INC to display the damaged cell.



The charger indicates that the voltage of one is too low.

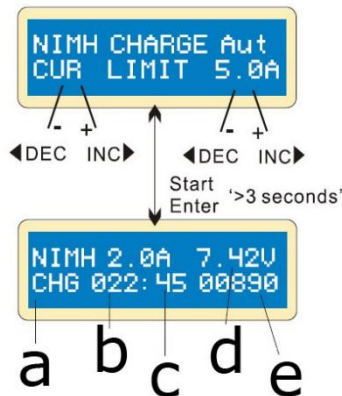
The 4<sup>th</sup> cell was damaged. The value dropped to 0 if a disconnection has occurred.

### 9.3 The Nickel Programme (NiCd, NiMH)

#### Charging a NiCd/NiMH Battery in Charge Mode

This programme will charge your battery using the user-set current. It is recommended to carefully set the upper limit for the charge current to avoid damage by excessive charging. Some batteries with low resistance and capacity can lead to higher current in auto charging mode.

In manual mode, it will charge at the set current. Press INC/DEC to swap between auto and manual mode.

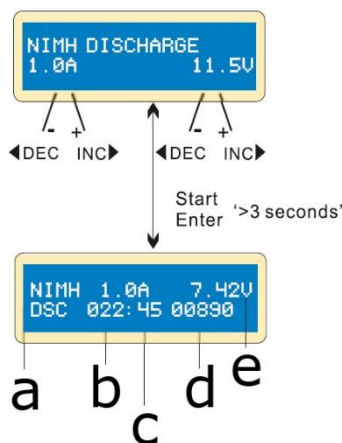


This programme is useful for charging NiCd/NiMH batteries used in R/C applications. Press START/STOP to select the programme, and change the parameter value with INC/DEC. Press START/ENTER again to store the set values.

This display shows the real-time discharging status. Press TYPE/STOP to stop the charging process.

- a. battery type
- b. elapsed time
- c. charging current
- d. battery voltage
- e. charged capacity

#### Discharging a NiCd/NiMH Battery

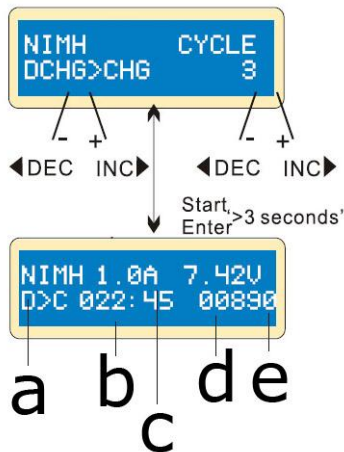


This display shows the discharge current (left) and final voltage (right). The current range reaches from 0.1-1.0 A; the voltage range reaches from 0.1-25.0 V. Start the discharging programme by holding START/ENTER pressed for 3 seconds.

This display shows the discharging state. Press START/ENTER to modify the discharge current, press again to store the value. Press TYPE/STOP to end the discharging process.

- a. battery type
- b. elapsed time
- c. discharging current
- d. battery voltage
- e. discharged capacity

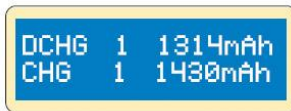
## Charging/Discharging and Discharging/Charging Cycle of a NiCd/NiMH Battery



Set up the sequence on the left and the number of cycles on the right. The cycle number ranges from 1-5.

Press TYPE/STOP to end the process, press START/ENTER to modify the charge current.

- battery type
- elapsed time
- discharging or charging current
- battery voltage
- discharged or charged capacity



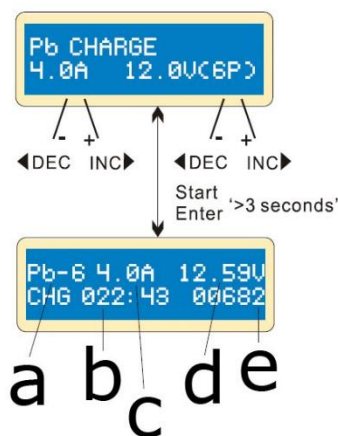
When approaching the end of process, you will see the battery's capacity being charged or discharged. Press INC/DEC to display the result.

## 9.4 The Lead-Acid Programme (Pb)

### Charging a Pb Battery in Charge Mode

This programme is only suitable for charging lead-acid batteries with a nominal voltage from 2-20 V. The lead-acid battery is completely different from a NiCd/NiMH battery. These can only deliver a current lower in comparison to their capacity. The same restriction applies to the charging process. Consequently, the optimum charge current can only be 1/10 of the capacity. A lead-acid battery is not suitable for fast charging.

Due to the chemical characteristics of a lead-acid battery, the cut-off point may be difficult to detect sometimes. We recommend using the capacity cut-off feature to protect the battery. Press START/ENTER to activate the function, modify the parameters with INC/DEC, and confirm with START/ENTER.

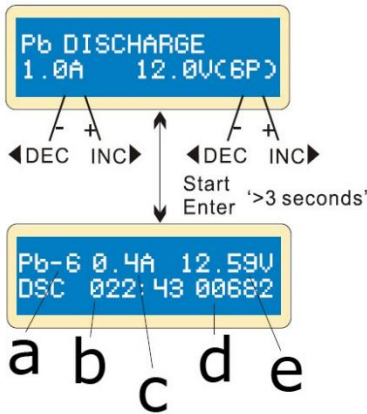


Set up the charge current (left) and the nominal voltage (right). The current ranges from 0.1-5.0 A. The voltage should match the voltage of the battery being charged. Start the charging programme by holding START/ENTER pressed for 3 seconds.

This display shows the real-time charging status. Press START/ENTER to modify the charge current, press again to store the set value. Hold TYPE/STOP pressed for 3 seconds to stop the charging process.

- battery type
- elapsed time
- charging current
- battery voltage
- charged capacity

### Discharging a Pb Battery



Set up the charge current (left) and the nominal voltage (right). The current ranges from 0.1-1.0 A. The voltage should match the voltage of the battery being discharged. Start the discharging programme by holding START/ENTER pressed for 3 seconds.

This display shows the real-time discharging status. Press START/ENTER to modify the discharge current, press again to store the set value. Hold TYPE/STOP pressed for 3 seconds to stop the discharging process.

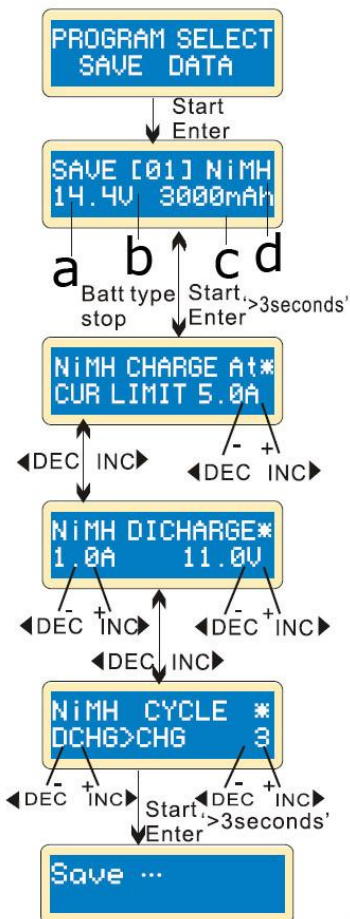
- a. battery type
- b. elapsed time
- c. discharging current
- d. battery voltage
- e. discharged capacity

### 9.5 Storage Data Programme

For your convenience, the charger features a data storage and load programme. It can store five battery data representing the respective battery specifications. You can call back the data when charging or discharging without setting up the programme again.

#### Storing a Programme

Press START/ENTER to select and set up the parameters with INC/DEC.



Setting the parameters in the screen will not affect the charging and discharging process; they just represent the battery's specifications. In this example, the battery is a NiMH battery with 12 cells and a capacity of 3000 mAh.

Set up the charge current in manual mode, or the current limit in auto mode. Simultaneously press INC and DEC to switch to charge mode.

Set up the discharge current and final voltage.

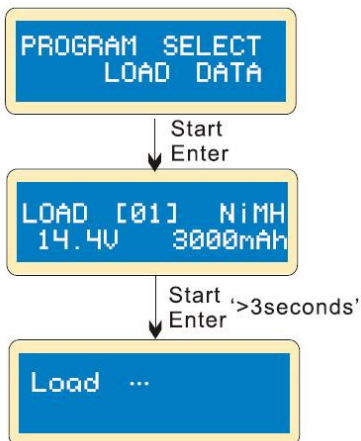
Set up the charge or discharge sequence and cycle number.

Saving the data.



- a. voltage
- b. data number
- c. capacity
- d. battery type

**Loading a Programme**

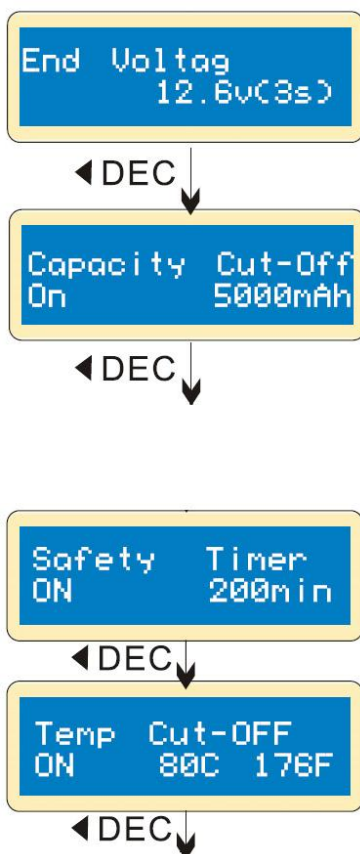


Choose the data number you would like to load.

Loading the data.

**10. Display Information**

This charger allows you to inquire various information during charging and discharging. Press DEC to display the user's setting, press INC to monitor the voltage while the battery is connected to each port of the charger.



The display shows the final voltage at the end of the programme.

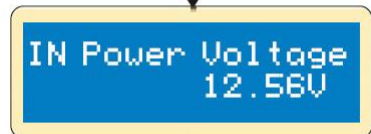
The display shows the set capacity value and that the capacity cut-off function is switched on.

The display shows the duration in minutes and that the safety timer is switched on.

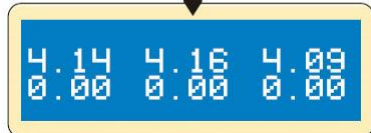
The display shows that the temperature cut-off function is switched on.



The display shows the external temperature (only when the temperature probe is being used).



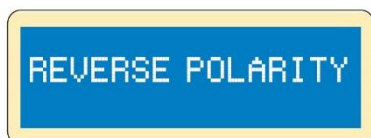
The display shows the present input voltage.



If the battery is connected via cable, each cell's voltage is displayed.

## 11. Warnings and Error Messages

In case of an error, this charger will display the cause of error and emit a warning sound.



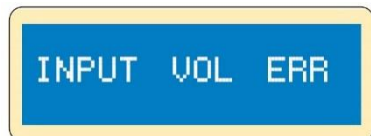
Incorrect polarity.



Battery connection is interrupted.



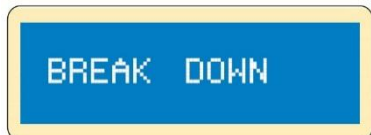
Short-circuit of the output termination.



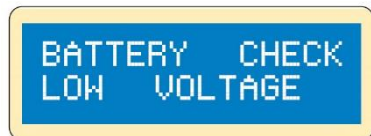
Voltage error at the input.



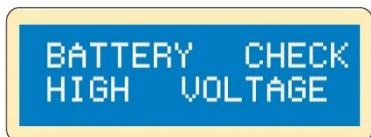
Incorrect selection of the battery pack's voltage.



Faulty charger. Please contact your dealer.



The battery pack's voltage is lower than the set voltage value. Check the number of cells.



The battery pack's voltage is higher than the set voltage value. Check the number of cells.

BATTERY VOLTAGE  
CELL LOW VOL

The voltage of one of the cells is too low. Please check the voltage of each cell.

BATTERY VOLTAGE  
CELL HIGH VOL

The voltage of one of the cells is too high. Please check the voltage of each cell.

BATTERY VOL ERR  
CELL CONNECT

Wrong connection. Please check the connector and cable.

CONTROL FAILURE

The processor cannot control the feeding current. Please contact your dealer.

## 12. Maximum Circuit Power Chart

The total circuit power of this charger: (1) charge: 50 W, (2) discharge: 5 W.

For a battery with a voltage of more than 10 V, the actual amount of charge current delivered to the battery will automatically be limited. The actual feeding current will be as follows:

| battery type | n° of cells | rated voltage (V) | max. charge voltage (V) | charge current (A) | discharge current (A) |
|--------------|-------------|-------------------|-------------------------|--------------------|-----------------------|
| NiCd/NiMH    | 1           | 1.20              | 1.50                    | 5.00               | 1.00                  |
|              | 2           | 2.40              | 3.00                    | 5.00               | 1.00                  |
|              | 3           | 3.60              | 4.50                    | 5.00               | 1.00                  |
|              | 4           | 4.80              | 6.00                    | 5.00               | 0.83                  |
|              | 5           | 6.00              | 7.50                    | 5.00               | 0.67                  |
|              | 6           | 7.20              | 9.00                    | 5.00               | 0.56                  |
|              | 7           | 8.40              | 10.50                   | 5.00               | 0.48                  |
|              | 8           | 9.60              | 12.00                   | 5.00               | 0.42                  |
|              | 9           | 10.80             | 13.50                   | 4.63               | 0.37                  |
|              | 10          | 12.00             | 15.00                   | 4.17               | 0.33                  |
|              | 11          | 13.20             | 16.50                   | 3.79               | 0.30                  |
|              | 12          | 14.40             | 18.00                   | 3.47               | 0.28                  |
|              | 13          | 15.60             | 19.50                   | 3.21               | 0.26                  |
|              | 14          | 16.80             | 21.00                   | 2.98               | 0.24                  |
|              | 15          | 18.00             | 22.50                   | 2.78               | 0.22                  |
| Li-poly      | 1S          | 3.70              | 4.20                    | 5.00               | 1.00                  |
|              | 2S          | 7.40              | 8.40                    | 5.00               | 0.60                  |
|              | 3S          | 11.10             | 12.60                   | 4.50               | 0.40                  |
|              | 4S          | 14.80             | 16.80                   | 3.38               | 0.30                  |
|              | 5S          | 18.50             | 21.00                   | 2.70               | 0.24                  |
|              | 6S          | 22.20             | 25.20                   | 2.25               | 0.20                  |
| Li-Fe        | 1S          | 3.30              | 3.60                    | 5.00               | 1.00                  |
|              | 2S          | 6.60              | 7.20                    | 5.00               | 0.69                  |
|              | 3S          | 9.90              | 10.80                   | 5.00               | 0.46                  |
|              | 4S          | 13.20             | 14.40                   | 3.79               | 0.35                  |
|              | 5S          | 16.50             | 18.00                   | 3.03               | 0.28                  |
|              | 6S          | 19.80             | 21.60                   | 2.53               | 0.23                  |

|        |    |       |       |      |      |
|--------|----|-------|-------|------|------|
| Li-ion | 1S | 3.60  | 4.10  | 5.00 | 1.00 |
|        | 2S | 7.20  | 8.20  | 5.00 | 0.61 |
|        | 3S | 10.80 | 12.30 | 4.63 | 0.41 |
|        | 4S | 14.40 | 16.40 | 3.47 | 0.30 |
|        | 5S | 18.00 | 20.50 | 2.78 | 0.24 |
|        | 6S | 21.60 | 24.60 | 2.31 | 0.20 |
| Pb     |    | 6.00  | 6.90  | 5.00 | 0.72 |
|        |    | 8.00  | 9.20  | 5.00 | 0.54 |
|        |    | 10.00 | 11.50 | 5.00 | 0.43 |
|        |    | 12.00 | 13.80 | 4.17 | 0.36 |
|        |    | 14.00 | 16.10 | 3.57 | 0.31 |
|        |    | 16.00 | 18.40 | 3.13 | 0.27 |
|        |    | 18.00 | 20.70 | 2.78 | 0.24 |
|        |    | 20.00 | 23.00 | 2.50 | 0.22 |

### 13. Cleaning and Maintenance

This device does not need any particular maintenance. Occasionally wipe it with a damp cloth. Do not use harsh chemicals, cleaning solvents or strong detergents.

If the power cord is damaged, it must be replaced by the manufacturer, its service agent, or similarly qualified persons in order to avoid any hazard.

### 14. Technical Specifications

|   |  |
|---|--|
| technology .....                          | NiCd, NiMh, Li-ion, Li-poly, Li-Fe, lead design  |
| NiCd/NiMh battery cell count .....        | 1-15 cells   |
| Li-ion/Fe/polymer cell count .....        | 1-6 cells  |
| operating voltage range .....             | 11-18 V $\overline{=}$ (power adapter not incl.)   |
| charging current range.....               | 0.1-5.0 A  |
| discharge current range .....             | 0.1-1.0 A  |
| max. charge power.....                    | 50 W   |
| max. discharge power.....                 | 5 W  |
| current drain for balancing Li-poly ..... | 300 mA/cell  |
| PB battery voltage.....                   | 2-20 V   |
| included .....                            | JST-XH charge plug<br>.....(compatible with Zippy, HXT, Loong Max and any pack with a JST adapter) |
| dimensions.....                           | 133 x 87 x 33 mm   |
| weight .....                              | 277 g  |

**Use this device with original accessories only. Velleman nv cannot be held responsible in the event of damage or injury resulting from (incorrect) use of this device. For more info concerning this product and the latest version of this manual, please visit our website [www.velleman.eu](http://www.velleman.eu). The information in this manual is subject to change without prior notice.**

#### © COPYRIGHT NOTICE

**The copyright to this manual is owned by Velleman nv. All worldwide rights reserved.** No part of this manual may be copied, reproduced, translated or reduced to any electronic medium or otherwise without the prior written consent of the copyright holder.

# HANDLEIDING

## 1. Inleiding

**Aan alle ingezetenen van de Europese Unie**

**Belangrijke milieu-informatie betreffende dit product**



Dit symbool op het toestel of de verpakking geeft aan dat, als het na zijn levenscyclus wordt weggeworpen, dit toestel schade kan toebrengen aan het milieu. Gooi dit toestel (en eventuele batterijen) niet bij het gewone huishoudelijke afval; het moet bij een gespecialiseerd bedrijf terecht komen voor recyclage. U moet dit toestel naar uw verdeler of naar een lokaal recyclagepunt brengen. Respecteer de plaatselijke milieuwetgeving.

**Hebt u vragen, contacteer dan de plaatselijke autoriteiten betreffende de verwijdering.**

Dank u voor uw aankoop! Lees deze handleiding grondig door voor u het toestel in gebruik neemt. Werd het toestel beschadigd tijdens het transport, installeer het dan niet en raadpleeg uw dealer.

## 2. Veiligheidsvoorschriften

|  |   |
|--|---|
|  | Laat de lader nooit onbeheerd achter wanneer het op de voeding is aangesloten. Als een storing wordt waargenomen, stop dan onmiddellijk het laadproces!   |
|  | Bescherm het toestel tegen stof en extreme temperaturen.  |
|  | Plaats de lader en de aangesloten batterij op een hittebestendig, niet-brandbaar en niet-geleidend oppervlak. Plaats ze nooit op een autostoel, tapijt of dergelijke. Houd alle brandbare materialen uit de buurt van de lader en de batterij.  |
|  | Om kortsluiting tussen de laadkabels te voorkomen, verbind altijd eerst de laadkabel met de lader en dan pas met de batterij. Draai de volgorde om de batterij te ontkoppelen.  |
|  | Sluit nooit meer dan 1 batterij aan.  |
|  | <p>Probeer de volgende types batterijen nooit te laden of ontladen:</p> <ul style="list-style-type: none"> <li>• een accupack die bestaat uit verschillende types cellen</li> <li>• een batterij die reeds volledig is opgeladen of slechts lichtjes ontladen is</li> <li>• batterijen die een andere laadtechniek vereisen dan deze beschreven in deze handleiding</li> <li>• een defecte of beschadigde batterij</li> <li>• een batterij voorzien van een geïntegreerd laadcircuit of een beveiligingscircuit</li> <li>• een batterij geïnstalleerd in een toestel of elektrisch verbonden met andere componenten</li> <li>• een batterij niet vermeld in deze handleiding</li> </ul> |

## 3. Waarschuwings- en veiligheidsinstructies

| NiCd/NiMH                                   |                                     |
|---|-------------------------------------|
| nominale spanning                           | 1.2 V/cel                           |
| toegestane snelle laadstroom                | 1-2 A (afhankelijk van de cel)      |
| uitschakelniveau van de ontladspanning      | 0.85 V/cel (NiCd), 1.0 V/cel (NiMH) |
| Li-ion                                      |                                     |
| nominale spanning                           | 3.6 V/cel                           |
| max. laadspanning                           | 4.1 V/cel                           |
| toegestane snelle laadstroom                | ≤ 1 A                               |
| min. uitschakelniveau van de ontladspanning | ≥ 2.5 V/cel                         |



| LiPo                                    |                   |
|---|-------------------|
| nominale spanning                       | 3.7 V/cel         |
| max. laadspanning                       | 4.2 V/cel         |
| toegestane snelle laadstroom            | $\leq 1$ A        |
| uitschakelniveau van de ontlaadspanning | $\geq 3.0$ V/cel  |
| LiFe                                    |                   |
| nominale spanning                       | 3.3 V/cel         |
| max. laadspanning                       | 3.6 V/cel         |
| toegestane snelle laadstroom            | $\leq 4$ A        |
| uitschakelniveau van de ontlaadspanning | $\geq 2.0$ V/cel  |
| Pb                                      |                   |
| nominale spanning                       | 2.0 V/cel         |
| max. laadspanning                       | 2.46 V/cel        |
| toegestane snelle laadstroom            | $\leq 0.4$ A      |
| uitschakelniveau van de ontlaadspanning | $\geq 1.75$ V/cel |

## 4. Algemene richtlijnen

Raadpleeg de **Velleman® service- en kwaliteitsgarantie** achteraan deze handleiding.



Bescherm tegen schokken. Vermijd brute kracht tijdens de bediening van het toestel.

- Leer eerst de functies van het toestel kennen voor u het gaat gebruiken.
- Om veiligheidsredenen mag u geen wijzigingen aan het apparaat aanbrengen. Schade door wijzigingen die de gebruiker heeft aangebracht aan het toestel valt niet onder de garantie.
- Gebruik het toestel enkel waarvoor het gemaakt is. Andere toepassingen kunnen leiden tot kortsluitingen, brandwonden, elektrische schokken, enz. Bij onoordeelkundig gebruik vervalt de garantie.
- De garantie geldt niet voor schade door het negeren van bepaalde richtlijnen in deze handleiding en uw dealer zal de verantwoordelijkheid afwijzen voor defecten of problemen die hier rechtstreeks verband mee houden.
- **Overschrijd nooit** de waarden vermeld in de technische specificaties.
- Noch Velleman nv noch zijn verdelers kunnen aansprakelijk gesteld worden voor schade (buitengewoon, incidenteel of onrechtstreeks) – van welke aard dan ook (financieel, fysisch...) voortvloeiend uit het bezit, gebruik of falen van dit product.
- We streven voortdurend naar verbetering van onze producten. Daarom kan dit product uiterlijk verschillen van de afbeeldingen.
- De afbeeldingen van het product zijn enkel ter illustratie.
- Schakel het toestel niet onmiddellijk in nadat het werd blootgesteld aan temperatuurschommelingen. Om beschadiging te vermijden, moet u wachten tot het toestel de kamertemperatuur heeft bereikt.
- Bewaar deze handleiding voor verdere raadpleging.

## 5. Eigenschappen

De VLE8 is een intelligente lader die geschikt is voor het laden, balanceren en ontladen van herlaadbare batterijen. Het toestel wordt aangestuurd door een microprocessor en balanceert de individuele cellen van Li-XX batterijen. De laadstroom is traploos instelbaar van 0.1 tot 5.0 A en het toestel is geschikt voor het laden van batterijen met 6 cellen. De lader is voorzien van een ingangsspanningsbeveiliging en een opslagmodus. Het toestel heeft een spanningsbereik van 11 tot 18 V.

- microprocessor aangestuurd
- Delta-Peak-gevoeligheid
- individuele celbalancering
- ondersteunt: Li-ion, LiPo, LiFe, NiCd, NiMH

- groot bereik laadstromen
- opslagmodus
- timerfunctie
- ingangsspanningscontrole (beschermt autobatterijen)
- dataopslag (max. 5 accupacks)
- bedrijfsmodi: break-in en cycle

### Speciale eigenschappen

**Geoptimaliseerde besturingssoftware:** De lader is uitgerust met een automatische functie die de stroomtoevoer regelt tijdens het laad- en ontladproces. Vooral voor lithiumbatterijen kan deze functie voorkomen dat de batterij overladen wordt, wat kan leiden tot een ontploffing van de batterij. Bij een storing wordt het laadcircuit automatisch onderbroken en weerklinkt een alarm. De instellingen kunnen door de gebruiker geconfigureerd worden.

**Geïntegreerde balanslader voor lithiumbatterijen:** De lader regelt de individuele celspanning, zo is er geen extra balanssysteem nodig.

**Individuele celbalancering bij het ontladen:** Tijdens het ontladen, zal de lader elke cel van de batterij individueel bewaken en balanceren. Wanneer de spanning van een cel abnormaal is, verschijnt een foutmelding en wordt het ontladproces automatisch beëindigd.

**Geschikt voor verschillende types lithiumbatterijen:** De lader is geschikt voor verschillende types lithiumbatterijen, zoals Li-ion, LiPo en LiFe.

**Snelladen en opslagmodus voor lithiumbatterijen:** De lader is voorzien van speciale functies: Het snelladen verkort het laadproces, terwijl de opslagmodus de batterijspanning regelt, zodat u ze langere tijd kunt bewaren.

**Computergestuurde analyse via USB:** De lader heeft een computergestuurde functie om de eigenschappen van de batterij te analyseren. Het geeft de spannings-, stroom-, capaciteits- en temperatuurcurven weer. Het geeft ook de individuele celspanning van het accupack weer. De USB-adapter is apart verkrijgbaar.

**Maximale beveiliging:** De automatische beëindiging van het laadprogramma is gebaseerd op het principe van de Delta-peak-spanningsdetectie: Als de batterijspanning de drempelwaarde overschrijdt, stopt het proces automatisch.

**Automatische begrenzing van de laadstroom:** Bij het laden van NiCd- of NiMH-batterijen kunt u de max. laadstroom instellen. Dit is handig voor het laden van batterijen met lage weerstand en capaciteit in automatische modus.

**Capaciteitsbegrenzing:** De laadcapaciteit wordt berekend door het vermenigvuldigen van de laadstroom en de laadduur. Als de laadcapaciteit de ingestelde waarde overschrijdt, wordt het laadproces automatisch beëindigd.

**Temperatuurlimiet:** Door interne chemische reacties in de batterij, wordt de batterij warm. Als de temperatuurlimiet is bereikt, wordt het proces beëindigd. Deze functie is enkel beschikbaar met de temperatuursonde (optioneel).

**Tijdslimiet:** U kunt een max. laadduur instellen, om defecten te voorkomen.

**Gegevens opslaan en laden:** De lader kan tot 5 verschillende batterijprofielen opslaan. U kunt verschillende laadprogramma's opslaan en oproepen.

**Cyclisch laden en ontladen:** Om de prestatie van de batterij te stimuleren, kunt u deze vernieuwen en balanceren. Hiervoor zijn er 1 tot 5 cyclische programma's voor laden > ontladen en ontladen > laden.

## 6. Omschrijving

Raadpleeg de afbeeldingen op pagina 2 van deze handleiding.

|   |                    |
|---|--------------------|
| 1 | LCD-display        |
| 2 | JST-XH-aansluiting |
| 3 | uitgang laadkabel  |
| 4 | knop START/ENTER   |

|   |                         |
|---|-------------------------|
| 5 | knop DECREASE/INCREASE  |
| 6 | knop TYPE/STOP          |
| 7 | poort temperatuursensor |

## 7. Menustructuur

Raadpleeg de afbeeldingen op pagina 3 van deze handleiding.

## 8. Aansluitdiagram

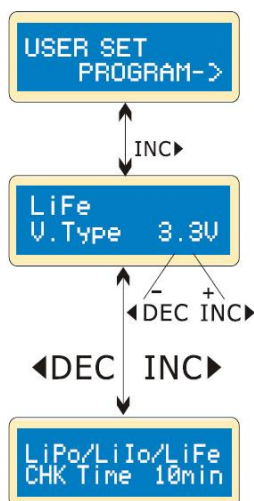
Bij gebruik in balansmodus, sluit de batterij en de lader aan als volgt: Sluit de hoofdbatterij aan op de balansaansluiting voor het laden. Zo niet kan dit de lader beschadigen!



## 9. Gebruik

### 9.1 Eerste configuratie

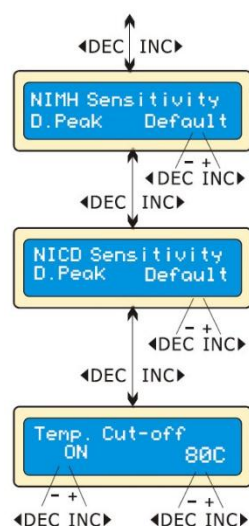
Standaard wordt de lader ingesteld volgens de gebruikersinstellingen wanneer het voor de eerste keer wordt aangesloten op een 11-18 V  $\overline{\text{---}}$  last. Om de parameters te wijzigen, druk op START/ENTER en verander de waarde met INC/DEC. Druk eenmaal op START/ENTER om de waarde op te slaan.



#### Startscherm

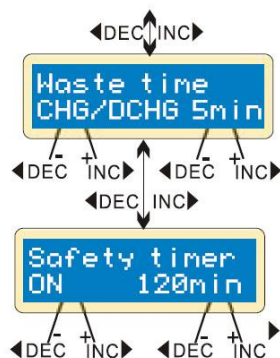
Dit scherm geeft de nominale spanning van de lithiumbatterij weer. Er bestaan 3 types lithiumbatterijen: LiFe (3.3 V), Li-Io (3.6 V) en LiPo (3.7 V). Het is zeer belangrijk dat u de correcte spanning instelt. Een foute waarde kan de batterij beschadigen tijdens het laadproces.

De lader herkent automatisch het batterijtype. Te diepontladen batterijen kunnen echter verkeerd gelezen worden. Om fouten en schade te vermijden, kunt u een timer instellen op 10 minuten of meer voor batterijen met een hogere capaciteit. In geval van twijfel is de standaardwaarde aanbevolen.



Deze waarde geeft de triggerspanning weer voor het automatisch beëindigen van het laadproces van NiMH- en NiCd-batterijen. Het instelbare bereik ligt tussen 5 tot 20 mV per cel. Als de triggerwaarde hoger wordt ingesteld, dan kan de batterij overladen worden. Als u deze waarde te laag instelt, dan wordt het laadproces te vroeg beëindigd. Raadpleeg de technische specificaties van de batterij (standaardwaarden: NiCd: 12 mV, NiMH: 7 mV)

De lader is voorzien van een uitschakelfunctie die u kunt activeren met de optionele temperatuursensor, die het oppervlak van de batterij raakt. U kunt dan de maximumtemperatuur van de batterij instellen tijdens het laadproces. Als de temperatuur is bereikt, wordt het proces beëindigd om de batterij te beschermen.

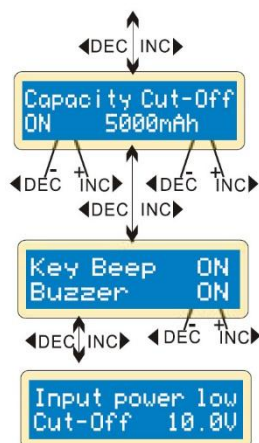


De batterij wordt warm na elke laad-/ontlaadcyclus. Het programma stelt een tijd in tussen twee cycli, zodat de batterij kan afkoelen voor de volgende cyclus begint. De tijd is instelbaar van 0 tot 60 minuten.

Wanneer het laadproces begint, start ook de geïntegreerde veiligheidstimer. Als er door een fout of stroomonderbreking een probleem is met de detectie of een batterij al dan niet volledig geladen is, zal dit programma voorkomen dat de batterij overladen wordt.

### Instellingen van de veiligheidstimer

| capaciteit in mAh | stroom | veiligheidstimer                  |
|-------------------|--------|-----------------------------------|
| 2000              | 2.0 A  | $(2000/2.0 = 1000)/11.9 = 84$ min |
| 3300              | 3.0 A  | $(3300/3.0 = 1100)/11.9 = 92$ min |
| 1000              | 1.2 A  | $(1000/1.2 = 833)/11.9 = 70$ min  |



Dit programma zorgt voor een max. bescherming bij het laden. Als de Delta-peak-spanning niet gedetecteerd kan worden of de veiligheidstimer gaat af, wordt het laadproces automatisch beëindigd wanneer de batterij de max. laadcapaciteit bereikt, die door de gebruiker is ingesteld.

Een pieptoon weerklinkt telkens een knop wordt ingedrukt of een andere modus wordt geselecteerd. U kunt deze functie in- of uitschakelen.

Deze functie bewaakt de ingangsspanning van de batterij die gebruikt wordt om de lader te voorzien van stroom. Als de spanning lager is dan de door de gebruiker ingestelde waarde, wordt het laadproces beëindigd om de batterij te beschermen.

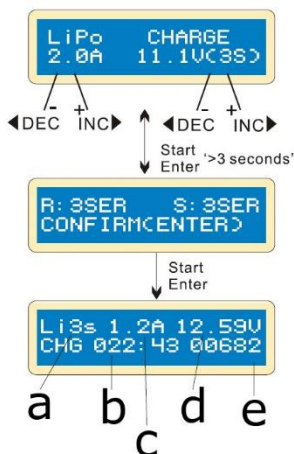
## 9.2 Lithiumprogramma (Li-ion, LiPo, LiFe)

Met dit programma kan de lader enkel lithiumbatterijen laden met een nominale spanning van 3.3, 3.6 of 3.7 V. Elk type batterij heeft een andere laadtechniek. Er zijn 2 laadmethodes: de constante spanning en de constante stroom. De laadstroom varieert afhankelijk van de capaciteit en specificaties van de batterij. De eindspanning is heel belangrijk en moet precies overeenkomen met de spanning van de batterij. Deze is 4.2 V voor LiPo, 4.1 V voor Li-ion en 3.6 V voor LiFe.

Wanneer u de parameters wilt veranderen, druk op START/ENTER om te selecteren en verander de waarde met INC/DEC. Druk eenmaal op START/ENTER om de waarde op te slaan.

### Een lithiumbatterij laden in laadmodus

In deze modus kunt u LiPo, Li-ion of LiFe-batterijen laden zonder de balanslader aan te sluiten.



Het scherm geeft het batterijtype weer met de door de gebruiker ingestelde laadstroom (links) en de laadspanning (rechts). Houd START/ENTER gedurende 3 seconden ingedrukt om het laadproces te starten.

In dit scherm wordt het aantal cellen weergegeven, die door de gebruiker zijn ingesteld. R geeft het aantal cellen weer die door de lader zijn gedetecteerd. S geeft het aantal cellen weer, die vooraf zijn ingesteld. Als beide waarden identiek zijn, kunt u het laadproces starten met START/ENTER. Is dit niet het geval, druk op TYPE/STOP om naar het vorige scherm terug te keren en controleer zorgvuldig het aantal cellen van de batterij.

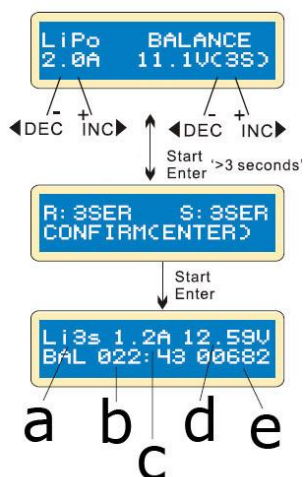
Het scherm geeft de realtime laadstatus weer. Druk op TYPE/STOP om het laadproces te beëindigen.

- aantal cellen
- laadduur
- laadstroom
- batterijspanning
- geladen capaciteit

### Een lithiumbatterij laden in balansmodus

Deze functie dient om de LiPo-batterij te balanceren tijdens het laden. In deze modus moet de batterij aangesloten worden op de balansaansluiting met een balanskabel. Sluit de voedingskabel aan op de uitgang van de lader.

Het laadproces in deze modus verloopt anders het normale laadproces. De ingebouwde processor bewaakt de spanning van de individuele cellen en regelt de laadstroom naar elke cel, om de spanning te normaliseren.



Het scherm geeft het batterijtype weer met de door de gebruiker ingestelde laadstroom (links) en de laadspanning (rechts). Houd START/ENTER gedurende 3 seconden ingedrukt om het laadproces te starten.

Het scherm geeft het aantal cellen weer, die door de gebruiker zijn ingesteld. R geeft het aantal cellen weer die door de lader zijn gedetecteerd. S geeft het aantal cellen weer, die vooraf zijn ingesteld. Als beide waarden identiek zijn, kunt u het laadproces starten met START/ENTER. Is dit niet het geval, druk op TYPE/STOP om naar het vorige scherm terug te keren en controleer zorgvuldig het aantal cellen van de batterij.

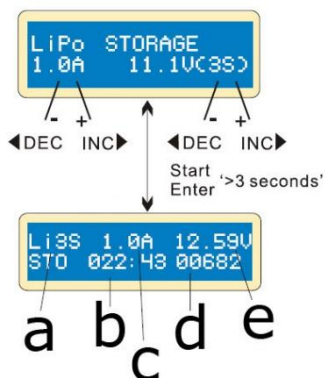
Het scherm geeft de realtime laadstatus weer. Druk op TYPE/STOP om het laadproces te beëindigen.

- aantal cellen
- laadduur
- laadstroom
- batterijspanning
- geladen capaciteit



### Een lithiumbatterij laden in snellaadmodus

De laadstroom vermindert naar het einde van het laadproces toe. Om het laadproces sneller te beëindigen, worden enkele stappen van het CV-snellaadproces overgeslagen. Aan het einde bedraagt de laadstroom nog maar 1/5 zijn van de beginstroom terwijl dit bij normaal beëindigen 1/10 is. De laadcapaciteit van de batterij is hierdoor iets lager dan bij het normale laadproces, maar de laadduur is eveneens korter.



In dit scherm kunt u de laadstroom en de spanning van de batterij instellen. Het laad- en ontladproces brengt de batterij naar het spanningsniveau van de opslagfunctie.

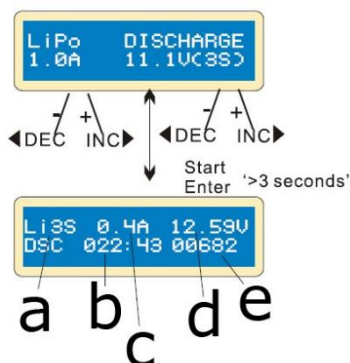
Het scherm geeft de realtime laadstatus weer. Druk op TYPE/STOP om het laadproces te beëindigen.

- aantal cellen
- verstreken tijd
- laad- of ontladstroom
- geladen capaciteit
- huidige batterijspanning

### Een lithiumbatterij laden in opslagmodus

Deze functie dient voor het laden of ontladen van batterijen die niet onmiddellijk gebruikt zullen worden. Dit programma is uitsluitend geschikt voor het laden van: 3.85 V LiPo, 3.75 V Li-ion en 3.3 V Life-batterijen. Het programma zal de batterij ontladen als de batterijspanning hoger is dan het spanningsniveau van de opslagfunctie.

### Een lithiumbatterij ontladen



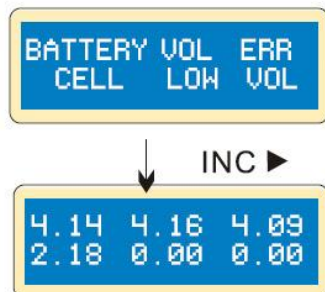
Het scherm geeft de realtime laadstatus weer. Druk op TYPE/STOP om het ontladproces te beëindigen.

De waarde van de ontladstroom (links) mag niet hoger zijn dan 1.0 A. De waarde rechts mag niet lager zijn dan de spanning aanbevolen door de fabrikant, om diepontlading te voorkomen. Houd START/ENTER gedurende 3 seconden ingedrukt om het laadproces te starten.

- aantal cellen
- verstreken tijd
- ontladstroom
- batterijspanning
- ontladen capaciteit

### Spanning balanceren en bewaken tijdens het ontladproces

De processor bewaakt de spanning van elk cel tijdens het laad- en ontladproces. Van zodra de spanning van een cel abnormaal is, geeft het scherm een foutmelding weer en wordt het proces beëindigd. Druk op INC om de beschadigde cel weer te geven.



De lader geeft aan dat de spanning van een cel te laag is.

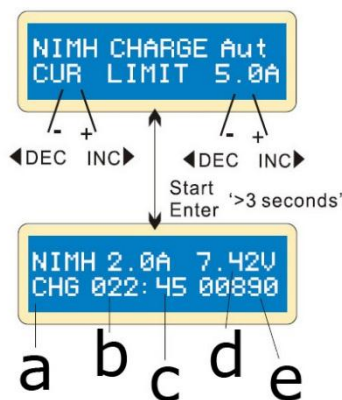
De 4<sup>de</sup> cel is beschadigd. Wanneer de batterij ontkoppeld wordt, bedraagt de spanningswaarde 0.

### 9.3 NiCd-/NiMH-laadprogramma

#### Een NiCd-/NiMH-batterij laden in laadmodus

Dit programma laadt de batterij met de door de gebruiker ingestelde stroomwaarde. Stel de bovengrens voor de laadstroom in, om schade door overlading te voorkomen. Bepaalde batterijen met een lage weerstand en capaciteit kunnen leiden tot een hogere laadstroom in automatische modus.

In manuele modus wordt de batterij met ingestelde laadstroom geladen. Druk op INC/DEC om te schakelen tussen automatische en manuele modus.

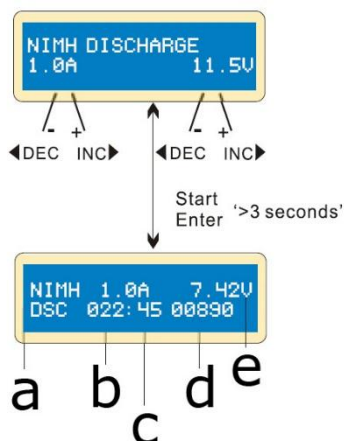


Met dit programma kunt u NiCd-/NiMH-batterijen laden die gebruikt worden in R/C-toepassingen. Druk op START/STOP om het programma te selecteren, en verander de parameter met INC/DEC. Druk nogmaals op START/ENTER om de ingestelde waarden op te slaan.

Het scherm geeft de realtime laadstatus weer. Druk op TYPE/STOP om het laadproces te beëindigen.

- a. batterijtype
- b. verstreken tijd
- c. laadstroom
- d. batterijspanning
- e. geladen capaciteit

## Een NiCd-/NiMH-batterij ontladen

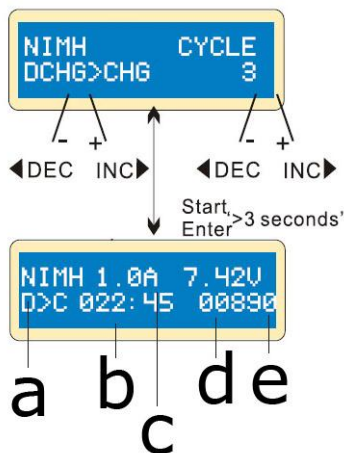


Dit scherm geeft de laadstroom (links) en eindspanning (rechts) weer. Het stroombereik ligt tussen 0.1 en 1.0 A. Het spanningsbereik ligt tussen 0.1 en 25.0 V. Houd START/ENTER gedurende 3 seconden ingedrukt om het ontladproces te starten.

Het scherm geeft de realtime ontladstatus weer. Druk op START/ENTER om de ontladstroom te wijzigen, druk nogmaals om de waarde op te slaan. Druk op TYPE/STOP om het ontladproces te beëindigen.

- batterijtype
- verstreken tijd
- ontladstroom
- batterijspanning
- ontladen capaciteit

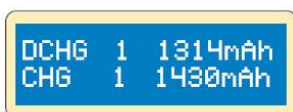
## Laad-/ontlaadcyclus van een NiCd-/NiMH-batterij



Stel de sequentie (links) en het aantal cellen (rechts) in. Het aantal cycli kan ingesteld worden van 1-5.

Druk op TYPE/STOP om het proces te beëindigen, druk op START/ENTER om de laadstroom te wijzigen.

- batterijtype
- verstreken tijd
- ontlaad- of laadstroom
- batterijspanning
- ontladen of geladen capaciteit



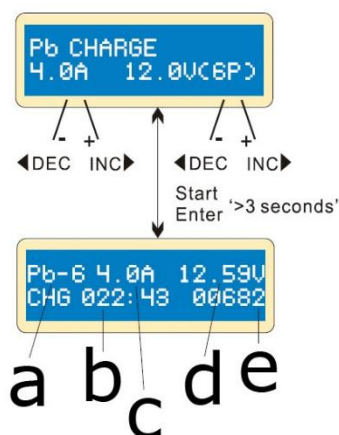
Naar het einde van het proces toe, wordt de geladen of ontladen capaciteit van de batterij weergegeven. Druk op INC/DEC om het resultaat weer te geven.

## 9.4 Laadprogramma voor loodzuurbatterijen (Pb)

### Een loodzuurbatterij laden in laadmodus

Dit programma is alleen geschikt voor het laden van loodzuurbatterijen met een nominale spanning van 2 tot 20 V. Loodzuurbatterijen zijn compleet anders dan NiCd-/NiMH-batterijen. Ze kunnen slechts een lagere stroom leveren in vergelijking met hun capaciteit en hebben gelijkaardige beperkingen tijdens het laadproces. Daarom mag de maximale laadstroom maar 1/10 van de capaciteit bedragen. Een loodzuurbatterij is niet geschikt voor snelladen.

Door de chemische eigenschappen van een loodzuurbatterij, kan het soms moeilijk zijn om het uitschakelpunt te detecteren. We raden u aan om de capaciteit te begrenzen, om de batterij te beschermen. Druk op START/ENTER om de functie te activeren, wijzig de parameters met INC/DEC en bevestig met START/ENTER.

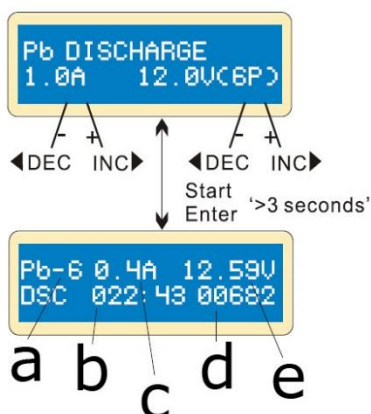


Stel de laadstroom (links) en de nominale spanning (rechts) in. Het stroombereik ligt tussen 0.1 en 5.0 A. De spanning moet overeenkomen met de spanning van de geladen batterij. Houd START/ENTER gedurende 3 seconden ingedrukt om het laadprogramma te starten.

Het scherm geeft de realtime laadstatus weer. Druk op START/ENTER om de laadstroom te wijzigen, druk nogmaals om de ingestelde waarde op te slaan. Houd TYPE/STOP gedurende 3 seconden ingedrukt om het laadproces te beëindigen.

- batterijtype
- verstreken tijd
- laadstroom
- batterijspanning
- geladen capaciteit

### Een loodzuurbatterij ontladen.



Stel de laadstroom (links) en de nominale spanning (rechts) in. Het stroombereik ligt tussen 0.1 en 1.0 A. De spanning moet overeenkomen met de spanning van de ontladen batterij. Houd START/ENTER gedurende 3 seconden ingedrukt om het ontladproces te starten.

Het scherm geeft de realtime laadstatus weer. Druk op START/ENTER om de ontlaadstroom te wijzigen, druk nogmaals om de ingestelde waarde op te slaan. Houd TYPE/STOP gedurende 3 seconden ingedrukt om het laadproces te beëindigen.

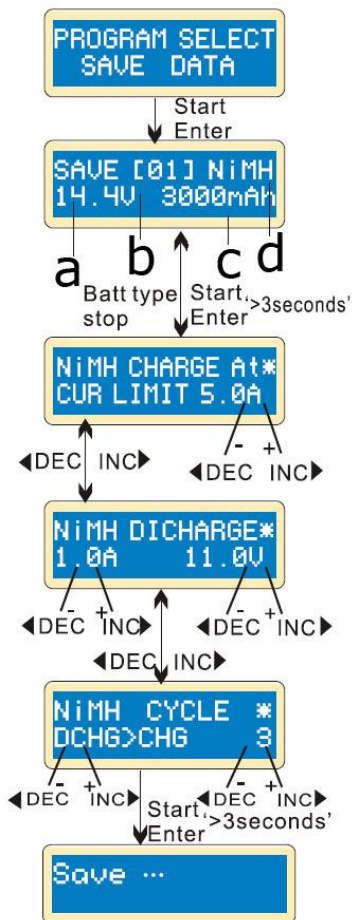
- batterijtype
- verstreken tijd
- ontlaadstroom
- batterijspanning
- ontladen capaciteit

## 9.5 Batterijgegevens opslaan

De lader is uitgerust met een programma voor het opslaan en laden van gegevens. Met deze functie kunt u tot 5 batterijprofielen opslaan. U kunt de gegevens oproepen tijdens het laad- of ontladproces, zonder het programma opnieuw te moeten instellen.

### Een programma opslaan

Druk op START/ENTER om te selecteren en stel de parameters in met INC/DEC.



Het instellen van de parameters op dit scherm hebben geen invloed op het laad- of ontladproces. Ze geven enkel de specificaties van de batterij weer. In dit voorbeeld gebruiken we een NiMH-batterij met 12 cellen en een capaciteit van 3000 mAh.

Stel de laadstroom voor de manuele modus, of de stroomlimiet voor de automatische modus in. Druk gelijktijdig INC en DEC in, om naar de laadmodus te schakelen.

Stel de ontladstroom en de eindspanning in.

Stel de laad- of ontladsequentie en het aantal cycli in.

Sla de gegevens op.

- a. spanning
- b. gegevensnummer
- c. capaciteit
- d. batterijtype

## Een programma laden

```
PROGRAM SELECT
LOAD DATA
```

Start  
Enter

```
LOAD [01] NiMH
14.4V 3000mAh
```

Start '>3seconds'  
Enter

```
Load ...
```

Kies het gegevensnummer dat u wilt laden.

Laad de gegevens.

## 10. Weergave informatie

Tijdens het laad-en ontladproces kunt u informatie over de programma-instellingen weergeven. Druk op DEC om de gebruikersinstellingen weer te geven, druk op INC om de spanning te bewaken terwijl de batterij aangesloten is op elke poort van de lader.

```
End Voltage
12.6v(3s)
```

◀DEC

```
Capacity Cut-Off
On 5000mAh
```

◀DEC

```
Safety Timer
ON 200min
```

◀DEC

```
Temp Cut-OFF
ON 80C 176F
```

◀DEC

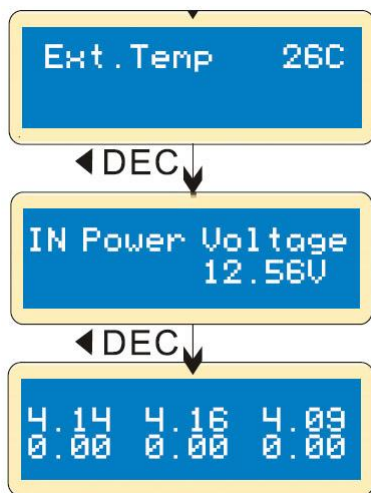
Het scherm geeft de eindspanning weer aan het einde van het programma.

Het scherm geeft de ingestelde capaciteitswaarde weer en geeft aan dat de uitschakelfunctie geactiveerd is.

Het scherm geeft de duur weer in minuten en geeft aan dat de veiligheidstimer ingeschakeld is.

Het scherm geeft aan dat de uitschakelfunctie van de temperatuur ingeschakeld is.

Het scherm geeft de externe temperatuur weer (enkel wanneer de temperatuursonde wordt gebruikt).



Het scherm geeft de huidige ingangsspanning weer.

Als de batterij via kabel aangesloten is, wordt de spanning van elke cel weergegeven.

## 11. Waarschuwingen en foutmeldingen

Als er een fout optreedt, verschijnt de oorzaak op het scherm en weerklinkt een waarschuwingssignaal.



Ompoling.

Batterijaansluiting is onderbroken.

Kortsluiting aan de uitgang.

Foute ingangsspanning.

De spanning van het accupack is niet correct ingesteld.

Functiestoring van de lader. Gelieve uw dealer te contacteren.

De spanning van het accupack is lager dan de ingestelde spanningswaarde. Controleer het aantal cellen.

De spanning van het accupack is hoger dan de ingestelde spanningswaarde. Controleer het aantal cellen.



BATTERY VOLTAGE  
CELL LOW VOL

De spanning van één van de cellen is te laag. Controleer de spanning van elke cel.

BATTERY VOLTAGE  
CELL HIGH VOL

De spanning van één van de cellen is te hoog. Controleer de spanning van elke cel.

BATTERY VOL ERR  
CELL CONNECT

Verkeerde aansluiting. Controleer de connector en kabel.

CONTROL FAILURE

De processor kan de voedingsstroom niet controleren. Gelieve uw dealer te contacteren.

## 12. Max. laad- en ontladvermogen

Het maximale vermogen van deze lader bedraagt: (1) laden: 50 W, (2) ontladen: 5 W.

Bij een spanning van meer dan 10 V, wordt de laadstroom aan de batterij automatisch begrensd. De huidige voedingsstroom ziet er als volgt uit:

| batterijtype | aantal cellen | nominale spanning (V) | max. laadspanning (V) | laadstroom (A) | ontlaadstroom (A) |
|--------------|---------------|-----------------------|-----------------------|----------------|-------------------|
| NiCd/NiMH    | 1             | 1.20                  | 1.50                  | 5.00           | 1.00              |
|              | 2             | 2.40                  | 3.00                  | 5.00           | 1.00              |
|              | 3             | 3.60                  | 4.50                  | 5.00           | 1.00              |
|              | 4             | 4.80                  | 6.00                  | 5.00           | 0.83              |
|              | 5             | 6.00                  | 7.50                  | 5.00           | 0.67              |
|              | 6             | 7.20                  | 9.00                  | 5.00           | 0.56              |
|              | 7             | 8.40                  | 10.50                 | 5.00           | 0.48              |
|              | 8             | 9.60                  | 12.00                 | 5.00           | 0.42              |
|              | 9             | 10.80                 | 13.50                 | 4.63           | 0.37              |
|              | 10            | 12.00                 | 15.00                 | 4.17           | 0.33              |
|              | 11            | 13.20                 | 16.50                 | 3.79           | 0.30              |
|              | 12            | 14.40                 | 18.00                 | 3.47           | 0.28              |
|              | 13            | 15.60                 | 19.50                 | 3.21           | 0.26              |
|              | 14            | 16.80                 | 21.00                 | 2.98           | 0.24              |
|              | 15            | 18.00                 | 22.50                 | 2.78           | 0.22              |
| LiPo         | 1 cel         | 3.70                  | 4.20                  | 5.00           | 1.00              |
|              | 2 cellen      | 7.40                  | 8.40                  | 5.00           | 0.60              |
|              | 3 cellen      | 11.10                 | 12.60                 | 4.50           | 0.40              |
|              | 4 cellen      | 14.80                 | 16.80                 | 3.38           | 0.30              |
|              | 5 cellen      | 18.50                 | 21.00                 | 2.70           | 0.24              |
|              | 6 cellen      | 22.20                 | 25.20                 | 2.25           | 0.20              |
| LiFe         | 1 cel         | 3.30                  | 3.60                  | 5.00           | 1.00              |
|              | 2 cellen      | 6.60                  | 7.20                  | 5.00           | 0.69              |
|              | 3 cellen      | 9.90                  | 10.80                 | 5.00           | 0.46              |
|              | 4 cellen      | 13.20                 | 14.40                 | 3.79           | 0.35              |
|              | 5 cellen      | 16.50                 | 18.00                 | 3.03           | 0.28              |
|              | 6 cellen      | 19.80                 | 21.60                 | 2.53           | 0.23              |

|        |          |       |       |      |      |
|--------|----------|-------|-------|------|------|
| Li-ion | 1 cel    | 3.60  | 4.10  | 5.00 | 1.00 |
|        | 2 cellen | 7.20  | 8.20  | 5.00 | 0.61 |
|        | 3 cellen | 10.80 | 12.30 | 4.63 | 0.41 |
|        | 4 cellen | 14.40 | 16.40 | 3.47 | 0.30 |
|        | 5 cellen | 18.00 | 20.50 | 2.78 | 0.24 |
|        | 6 cellen | 21.60 | 24.60 | 2.31 | 0.20 |
| Pb     |          | 6.00  | 6.90  | 5.00 | 0.72 |
|        |          | 8.00  | 9.20  | 5.00 | 0.54 |
|        |          | 10.00 | 11.50 | 5.00 | 0.43 |
|        |          | 12.00 | 13.80 | 4.17 | 0.36 |
|        |          | 14.00 | 16.10 | 3.57 | 0.31 |
|        |          | 16.00 | 18.40 | 3.13 | 0.27 |
|        |          | 18.00 | 20.70 | 2.78 | 0.24 |
|        |          | 20.00 | 23.00 | 2.50 | 0.22 |

### 13. Reiniging en onderhoud

Dit toestel heeft geen speciaal onderhoud nodig. Maak het toestel af en toe schoon met een vochtige doek. Gebruik geen bijtende chemische producten, reinigingsmiddelen of sterke detergents.

Indien de voedingskabel beschadigd is, dan moet deze door de fabrikant, diens servicedienst, of een gelijkwaardig bekwaam persoon vervangen worden om gevaar te voorkomen.

### 14. Technische specificaties

|   |  |
|---|--|
| technologie.....  | NiCd, NiMh, Li-ion, LiPo, LiFe, Pb                               |
| design  |  |
| NiCd/NiMh-batterijen.....   | 1-15 cellen  |
| LiPo- / LiIo- /LiFe-batterijen .....  | 1-6 cellen   |
| werkspanning .....  | 11-18 V $\overline{\text{---}}$ (voedingsadapter niet meegelev.) |
| laadstroom .....  | 0.1-5.0 A  |
| ontlaadstroom .....   | 0.1-1.0 A  |
| max. laadvermogen.....  | 50 W   |
| max. ontlaadvermogen .....  | 5 W  |
| balansstroom LiPo .....   | 300 mA / cel   |
| loodzuurbatterijen .....  | 2-20 V   |
| meegeleverd.....  | JST-XH-aansluiting   |
| .....(compatibel met Zippy, HXT, Loong Max en elk pack met een JST-adapter) |  |
| afmetingen.....   | 133 x 87 x 33 mm   |
| gewicht.....  | 277 g  |

**Gebruik dit toestel enkel met originele accessoires. Velleman nv is niet aansprakelijk voor schade of kwetsuren bij (verkeerd) gebruik van dit toestel. Voor meer informatie over dit product en de laatste versie van deze handleiding, zie [www.velleman.eu](http://www.velleman.eu). De informatie in deze handleiding kan te allen tijde worden gewijzigd zonder voorafgaande kennisgeving.**

#### © AUTEURSRECHT

**Velleman nv heeft het auteursrecht voor deze handleiding. Alle wereldwijde rechten voorbehouden.** Het is niet toegestaan om deze handleiding of gedeelten ervan over te nemen, te kopiëren, te vertalen, te bewerken en op te slaan op een elektronisch medium zonder voorafgaande schriftelijke toestemming van de rechthebbende.

# MODE D'EMPLOI

## 1. Introduction

### Aux résidents de l'Union européenne

#### Informations environnementales importantes concernant ce produit



Ce symbole sur l'appareil ou l'emballage indique que l'élimination d'un appareil en fin de vie peut polluer l'environnement. Ne pas jeter un appareil électrique ou électronique (et des piles éventuelles) parmi les déchets municipaux non sujets au tri sélectif ; une déchetterie traitera l'appareil en question. Renvoyer l'appareil à votre fournisseur ou à un service de recyclage local. Il convient de respecter la réglementation locale relative à la protection de l'environnement.

#### En cas de questions, contacter les autorités locales pour élimination.

Nous vous remercions de votre achat ; Lire attentivement le présent mode d'emploi avant la mise en service de l'appareil. Si l'appareil a été endommagé pendant le transport, ne pas l'installer et consulter votre revendeur.

## 2. Consignes de sécurité

|  |  |
|--|--|
|  | Ne jamais laisser le chargeur sans surveillance lorsqu'il est connecté à une source d'alimentation. Si un dysfonctionnement est détecté, arrêter immédiatement le processus !  |
|  | Protéger cet appareil contre la poussière et les températures extrêmes.  |
|  | Placer le chargeur sur une surface résistante à la chaleur, ininflammable et non-conductrice. Ne jamais placer le chargeur sur un siège de voiture, tapis de sol ou surface similaire. Eloigner tout matériau inflammable du chargeur et l'accu.   |
|  | Pour éviter les court-circuits entre les câbles de charge, connecter le câble de charge au chargeur en premier et ensuite connecter l'accu. Inverser la séquence pour la déconnexion.  |
|  | Ne pas connecter plus d'un accu au chargeur.   |
|  | Ne pas charger ou décharger les types d'accus suivants : <ul style="list-style-type: none"> <li>• un pack d'accus composé de différents types d'éléments</li> <li>• un accu déjà complètement chargé ou légèrement déchargé</li> <li>• un accu qui nécessite une autre technique de charge que celle indiquée dans ce mode d'emploi</li> <li>• un accu défectueux ou endommagé</li> <li>• un accu avec un circuit de charge ou un circuit de protection intégré</li> <li>• un accu installé dans un dispositif ou connecté à d'autres composants</li> <li>• un accu non-indiqué dans ce mode d'emploi</li> </ul> |

## 3. Consignes d'avertissement et de sécurité

| NiCd/NiMH                         |   |
|-----------------------------------|---|
| niveau de tension                 | 1.2 V/élément                               |
| courant de charge disponible      | 1-2 A (dépend de l'élément)                 |
| tension de coupure à la décharge  | 0.85 V/élément (NiCd), 1.0 V/élément (NiMH) |
| Li-ion                            |   |
| niveau de tension                 | 3.6 V/élément                               |
| courant de charge max.            | 4.1 V/élément                               |
| courant de charge rapide autorisé | ≤ 1 A                                       |
| tension de coupure à la décharge  | ≥ 2.5 V/élément                             |
| LiPo                              |   |
| niveau de tension                 | 3.7 V/élément                               |
| courant de charge max.            | 4.2 V/élément                               |
| courant de charge rapide autorisé | ≤ 1 A                                       |
| tension de coupure à la décharge  | ≥ 3.0 V/élément                             |

**LiFe**

|                                   |                 |
|-----------------------------------|-----------------|
| niveau de tension                 | 3.3 V/élément   |
| courant de charge max.            | 3.6 V/élément   |
| courant de charge rapide autorisé | ≤ 4 A           |
| tension de coupure à la décharge  | ≥ 2.0 V/élément |

**Pb**

|                                   |                  |
|-----------------------------------|------------------|
| niveau de tension                 | 2.0 V/élément    |
| courant de charge max.            | 2.46 V/élément   |
| courant de charge rapide autorisé | ≤ 0.4 A          |
| tension de coupure à la décharge  | ≥ 1.75 V/élément |

## 4. Directives générales

Se référer à la **garantie de service et de qualité Velleman®** en fin de ce mode d'emploi.



Protéger l'appareil des chocs et de l'abus. Traiter l'appareil avec circonspection pendant l'opération.

- Se familiariser avec le fonctionnement de l'appareil avant de l'utiliser.
- Toute modification est interdite pour des raisons de sécurité. Les dommages occasionnés par des modifications par le client ne tombent pas sous la garantie.
- N'utiliser l'appareil qu'à sa fonction prévue. Tout autre usage peut causer des courts-circuits, des brûlures, des électrochocs, etc. Un usage impropre annule d'office la garantie.
- La garantie ne se s'applique pas aux dommages survenus en négligeant certaines directives de ce mode d'emploi et votre revendeur déclinera toute responsabilité pour les problèmes et les défauts qui en résultent.
- **Ne pas** dépasser les valeurs indiquées dans les spécifications techniques.
- Ni Velleman ni ses distributeurs ne peuvent être tenus responsables des dommages exceptionnels, imprévus ou indirects, quelles que soient la nature (financière, corporelle, etc.), causés par la possession, l'utilisation ou le dysfonctionnement de ce produit.
- Dans le souci d'une amélioration constante de nos produits, l'apparence du produit peut différer légèrement des images affichées.
- Les images des produits sont à titre indicatif seulement.
- Ne pas brancher immédiatement l'appareil après exposition à des variations de température. Afin d'éviter des dommages, attendre jusqu'à ce que l'appareil ait atteint la température ambiante.
- Garder ce mode d'emploi pour toute référence ultérieure.

## 5. Caractéristiques

Le VLE8 est un chargeur intelligent permettant de charger, équilibrer et décharger des accus rechargeables. Ce chargeur contrôlé par un microprocesseur est doté d'un équilibreur qui permet d'équilibrer la tension de chaque élément. Le courant de charge est réglable de 0.1 à 5.0 A et l'appareil peut charger max. 6 éléments en série. Le chargeur est équipé d'une protection de tension d'entrée et le mode de stockage. Le chargeur a une plage d'entrée de 11 à 18 V.

- contrôlé par microprocesseur
- sensibilité delta-peak
- équilibrage individuel des éléments
- supporte Li-ion, LiPo, LiFe, NiCd, NiMH
- large gamme de courants de charge
- mode de stockage
- fonction minuteur
- contrôle de la tension d'entrée (protège les accus de voiture)
- stockage de données (max. 5 packs)
- modes de service : break-in et cycle

## Caractéristiques spéciales

**Logiciel d'exploitation optimisé :** Le chargeur est doté d'une fonction automatique permettant de configurer le courant de charge pendant le processus de charge et décharge. Cette fonction permet d'éviter les surcharges, en particulier avec les accus au lithium, afin d'éviter les défaillances. Si un problème est détecté, une alarme est déclenchée et le chargeur déconnecte automatiquement le circuit de charge. Tous les paramètres peuvent être configurés par l'utilisateur.

**Chargeur équilibreur d'accus au lithium intégré :** Le chargeur utilise un chargeur équilibreur de tension spécifique pour chaque élément. Ainsi, il n'est pas nécessaire d'ajouter un équilibreur externe.

**Équilibrage des éléments durant la décharge :** Lors de la décharge, le chargeur peut contrôler et équilibrer chacun des éléments de l'accu. Si, en cours de décharge, il détecte une tension anormale, un message d'erreur s'affichera et le processus de décharge s'arrêtera automatiquement.

**Adaptabilité aux différents types d'accus au lithium :** Le chargeur est adapté aux différents types d'accus, tels que Li-ion, LiPo et LiFe.

**Mode rapide et mode stockage pour accus au lithium :** Le chargeur dispose de fonctions spéciales : La charge rapide réduit le temps de charge tandis que le mode de stockage contrôle la tension finale de l'accu, pour un stockage de longue durée.

**Analyse PC par USB :** Le chargeur offre un programme fonctionnant sous PC pouvant analyser les caractéristiques de l'accu depuis le port USB. Il fournit des courbes de tension, d'intensité, de capacité et de température. Il fournit également la tension individuelle de chaque élément du pack d'accus au lithium. L'adaptateur USB est disponible séparément.

**Sécurité maximale :** Le programme d'arrêt de charge automatique fonctionne selon le principe de la détection de chute de tension (delta-peak) : lorsque la tension de l'accu dépasse la limite, le processus de charge s'arrête automatiquement.

**Limitation automatique du charge de courant :** Il est possible de régler la limite max. du courant de charge lors de la charge d'accus NiCd et NiMH, ce qui est utile avec les accus à faible résistance interne ou faible capacité en mode automatique.

**Limite de capacité :** La capacité de charge est toujours calculée en multipliant le courant de charge par le temps de charge. Si la capacité de charge dépasse la limite, le processus s'arrête automatiquement une fois la valeur maximale atteinte.

**Limite de température :** La température de l'accu en charge augmente en raison de la réaction chimique interne. Une fois la limite de la température atteinte, le processus de charge s'arrête. Cette fonction est possible en connectant le capteur de température (optionnel).

**Limite de durée de charge :** Il est possible de régler le temps de charge max. pour éviter toute défaillance.

**Enregistrer et charger des données :** Le chargeur peut enregistrer max. 5 accus. Il est possible d'enregistrer et charger différents programmes de charge.

**Charge et décharge cyclique :** Il est possible de réaliser de 1 à 5 cycles consécutifs "charge-décharge" ou "décharge-charge" automatiquement pour réveiller et équilibrer des packs en stimulant leur activité.

## 6. Description

Se référer aux illustrations en page 2 de ce mode d'emploi.

|          |                          |
|----------|--------------------------|
| <b>1</b> | afficheur LCD            |
| <b>2</b> | connecteur JST-XH        |
| <b>3</b> | connecteur d'équilibrage |
| <b>4</b> | bouton START/ENTER       |

|          |                                  |
|----------|----------------------------------|
| <b>5</b> | bouton DECREASE/INCREASE         |
| <b>6</b> | bouton TYPE/STOP                 |
| <b>7</b> | port pour capteur de température |

## 7. Diagramme des programmes

Se référer aux illustrations en page 3 de ce mode d'emploi.

## 8. Diagramme de connexion

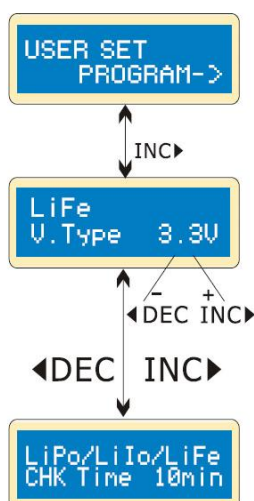
Lors de la charge en mode équilibrage, connecter l'accu et le chargeur comme suit : Relier l'accu principal au connecteur d'équilibrage avant de charger l'accu. Le non-respect de cette précaution pourrait endommager le chargeur !



## 9. Emploi

### 9.1 Configuration initiale

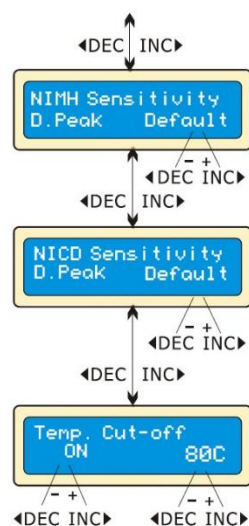
Par défaut, ce chargeur est réglé sur les paramètres utilisateur lorsqu'il est connecté pour la première fois à --- une charge de 11-18 V. Pour modifier les paramètres, appuyer sur START/ENTER et changer la valeur avec INC/DEC. Enregistrer la valeur en appuyant une fois sur START/ENTER.



Ecran de démarrage

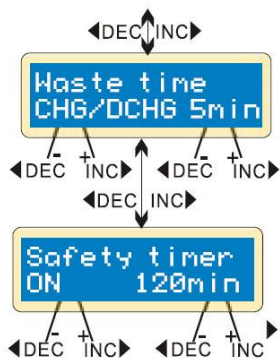
L'écran affiche la tension nominale de l'accu au lithium. Il existe trois types d'accus au lithium : LiFe (3.3 V), Lilo (3.6 V) ou LiPo (3.7 V). Il est très important de vérifier soigneusement le type d'accu et d'effectuer le bon réglage. Une erreur de réglage peut provoquer une explosion de l'accu en cours de charge.

Le chargeur reconnaît automatiquement le type d'accu. Cependant, des accus trop déchargés peuvent être lus de manière incorrecte. Pour éviter toute erreur ou dommage, programmer le délai - environ 10 minutes ou plus pour des accus à haute capacité. En cas de doute, utiliser la valeur par défaut.



Affichage de la tension de seuil pour l'arrêt automatique de la charge d'accus NiMH et NiCd. La valeur réelle va de 5 à 20 mV par élément. Si la tension de seuil est réglée plus haut, il y a un risque de surcharge de l'accu ; si elle est trop basse, il y a un risque d'arrêt prématuré. Se référer aux spécifications techniques de l'accu (valeurs par défaut : NiCd :12 mV, NiMH : 7 mV).

Une caractéristique optionnelle – que l'on peut activer ou non – est l'utilisation d'un capteur de température touchant la surface de l'accu. Si elle est activée, il est possible de régler la température maximale autorisée durant la charge. Une fois que l'accu atteint cette température durant la charge, le processus s'arrête pour protéger l'accu.

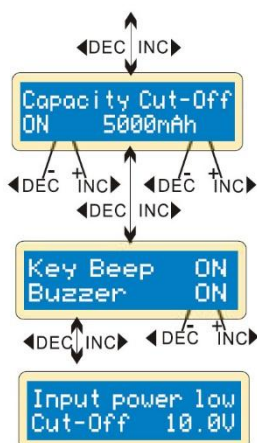


L'accu chauffe après chaque cycle de charge/décharge. Le programme applique une pause après chaque cycle de charge/décharge afin de laisser refroidir l'accu avant le cycle suivant. Cette pause peut aller de 1 à 60 minutes.

Lorsque le processus de charge commence, le minuteur de sécurité intégré s'enclenche. Si une erreur est détectée ou le circuit de delta-peak ne peut pas détecter si l'accu est complètement chargé ou pas, ce programme évitera toute surcharge.

### Réglages du minuteur de sécurité

| capacité en mAh | courant | minuteur de sécurité              |
|-----------------|---------|-----------------------------------|
| 2000            | 2.0 A   | $(2000/2.0 = 1000)/11.9 = 84$ min |
| 3300            | 3.0 A   | $(3300/3.0 = 1100)/11.9 = 92$ min |
| 1000            | 1.2 A   | $(1000/1.2 = 833)/11.9 = 70$ min  |



Le programme fournit une protection maximale. Si la tension delta-peak ne peut pas être détectée ou le minuteur de sécurité s'est déclenché, le processus de charge s'arrêtera automatiquement lorsque l'accu atteint la capacité de charge max. définie par l'utilisateur.

Un bip sonore est émis à chaque fois qu'un bouton est appuyé ou lorsqu'un autre mode est sélectionné. Cette fonction peut être activée ou désactivée.

Cette fonction contrôle la tension d'entrée de l'accu utilisée pour alimenter le chargeur. Si la tension est inférieure à la valeur indiquée par l'utilisateur, le programme arrêtera la charge pour protéger l'accu.

## 9.2 Programme lithium (Li-ion, LiPo, LiFe)

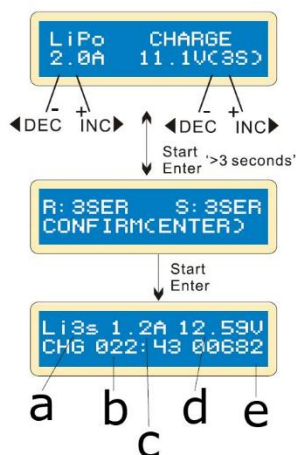
Le chargeur est uniquement adapté à la charge d'accus au lithium avec une tension nominale de 3.3, 3.6 ou 3.7 V. Différents types d'accus ont différentes techniques de charge. Il y a deux méthodes de charge : la tension constante et le courant constant. Le courant de charge varie en fonction de la capacité et des spécifications de l'accu. La tension finale est très importante; elle doit précisément correspondre à la tension de l'accu : LiPo = 3.6 V, Li-ion = 4.1 V et LiFe = 3.6 V.

Pour modifier les paramètres, appuyer sur START/ENTER pour sélectionner et changer la valeur avec INC/DEC. Enregistrer la valeur en appuyant une fois sur START/ENTER.



### Charger un accu au lithium en mode charge

Ce mode permet de charger des accus LiPo, Li-ion ou LiFe sans la connexion d'équilibrage.



L'écran affiche le type d'accu avec le courant de charge (gauche) défini par l'utilisateur et la tension de charge (droite). Maintenir enfoncé START/ENTER pendant 3 secondes pour lancer le processus de charge.

L'écran affiche le nombre d'éléments définis par l'utilisateur. "R" correspond au nombre d'éléments détectés par le chargeur. "S" correspond au nombre d'éléments définis précédemment. Si les deux valeurs sont identiques, lancer le processus de charge en appuyant sur START/ENTER. Sinon, appuyer sur TYPE/STOP pour retourner à l'écran précédent et vérifier soigneusement le nombre d'éléments de l'accu.

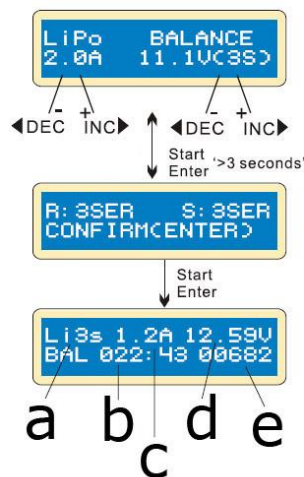
L'écran affiche l'état de charge en temps réel. Appuyer sur TYPE/STOP pour interrompre le processus de charge.

- a. nombre d'éléments
- b. temps de charge
- c. courant de charge
- d. tension d'accu
- e. capacité chargée

### Charger un accu au lithium en mode équilibrage

Ce mode permet d'équilibrer la tension des éléments de l'accu LiPo pendant la charge. Dans ce mode, le connecteur d'équilibrage de la batterie doit être connecté au port d'équilibrage du chargeur. Connecter la fiche d'alimentation à la sortie du chargeur.

La charge dans ce mode implique que le processeur intégré contrôle la tension des différents éléments ainsi que le courant envoyé vers chaque élément, afin d'équilibrer la tension de l'ensemble des éléments.



L'écran affiche le type d'accu avec la valeur de courant (gauche) définie par l'utilisateur et la valeur de charge (droite). Maintenir enfoncé START/ENTER pendant 3 secondes pour lancer le processus de charge.

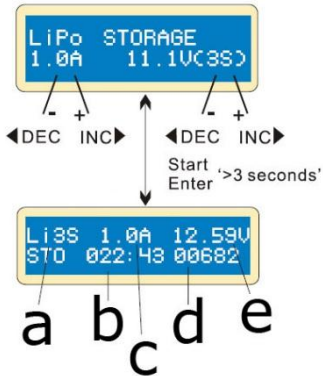
L'écran affiche le nombre d'éléments définis par l'utilisateur. "R" correspond au nombre d'éléments détectés par le chargeur. "S" correspond au nombre d'éléments définis précédemment. Si les deux valeurs sont identiques, lancer le processus de charge en appuyant sur START/ENTER. Sinon, appuyer sur TYPE/STOP pour retourner à l'écran précédent et vérifier soigneusement le nombre d'éléments de l'accu.

L'écran affiche l'état de charge en temps réel. Appuyer sur TYPE/STOP pour interrompre le processus de charge.

- a. nombre d'éléments
- b. temps de charge
- c. courant de charge
- d. tension d'accu
- e. capacité chargée

### Charger un accu au lithium en mode de charge rapide

Pendant le processus de charge, le chargeur réduit le courant de charge en fin du processus de charge. Pour terminer le processus de charge plus rapidement, ce programme élimine certaines étapes du processus à tension constante. En fait, le courant de charge passe à 1/5 de la valeur initiale pour interrompre le processus, tandis qu'en mode de charge normal, le courant descend à 1/10. La capacité de charge sera légèrement inférieure, mais le temps de charge sera réduit conformément.



Dans cet écran, il est possible de configurer le courant et la tension de l'accu. La charge/décharge fera passer l'accu au niveau de tension du mode de stockage.

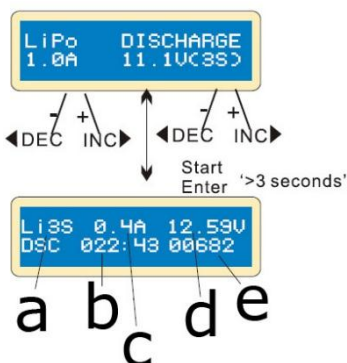
L'écran affiche l'état de charge en temps réel. Appuyer sur TYPE/STOP pour interrompre le processus de charge.

- a. nombre d'éléments
- b. temps écoulé
- c. courant de charge/décharge
- d. capacité chargée
- e. tension d'accu actuelle

### Charger un accu au lithium en mode stockage

Cette fonction permet de charger ou décharger des accus qui ne seront pas utilisés immédiatement. Ce programme convient uniquement à la charge des accus suivants : LiPo de 3.85 V, Li-ion de 3.75 V et LiFe de 3.3 V. Le programme décharge automatiquement l'accu si la tension dépasse le niveau de stockage de ce type d'accu.

### Décharger un accu au lithium



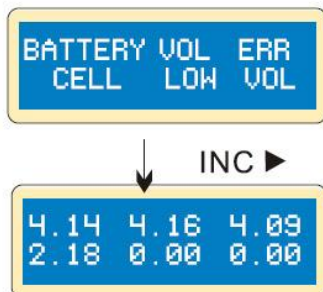
L'écran affiche l'état de décharge en temps réel. Appuyer sur TYPE/STOP pour interrompre le processus de décharge.

La valeur du courant de décharge (gauche) ne peut pas dépasser 1.0 A. La valeur indiquée à droite ne peut pas être inférieure à la tension conseillée par le fabricant pour éviter une décharge profonde. Maintenir enfoncé START/ENTER pendant 3 secondes pour lancer le processus de charge.

- a. nombre d'éléments
- b. temps écoulé
- c. courant de décharge
- d. tension d'accu
- e. capacité déchargé

### Équilibrage et contrôle de la tension en cours du processus de décharge

Le chargeur contrôle la tension de chaque élément pendant le processus de stockage (charge/décharge). Si la tension d'un élément est anormale, le chargeur affiche un message d'erreur et interrompt le processus en cours. Appuyer sur INC pour afficher l'élément endommagé.



Le chargeur indique que la tension d'un des éléments est trop faible.

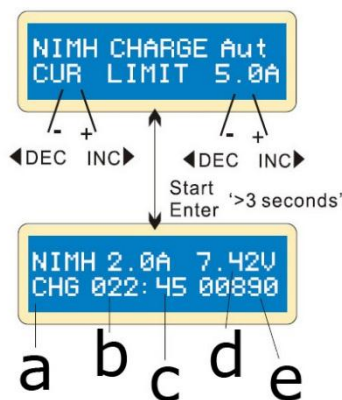
Le 4<sup>ième</sup> élément est endommagé. En cas d'une déconnexion, la valeur de tension est portée à zéro.

## 9.3 Programme pour accus NiCd/NiMH

### Charger un accu NiCd/NiMH en mode charge

Ce programme permet de charger l'accu au courant défini par l'utilisateur. Il est conseillé de définir une limite supérieure pour le courant de charge, afin d'éviter tout dommage par une surcharge. Certains accus à basse résistance et à basse capacité peuvent entraîner une charge de courant plus élevée en mode automatique.

En mode manuel, les accus seront chargés au courant réglé. Appuyer sur INC/DEC pour commuter entre le mode automatique et le mode manuel.

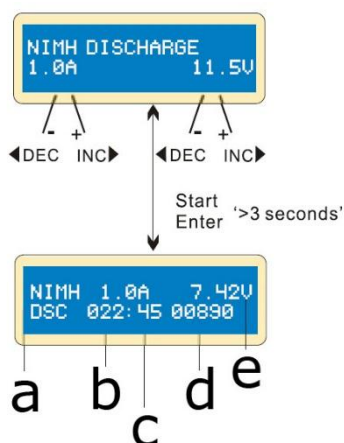


Ce programme permet de charger les accus NiCd/MiMH utilisés dans des applications R/C. Appuyer sur START/ENTER pour sélectionner le programme, et modifier la valeur avec INC/DEC. Appuyer à nouveau sur START/ENTER pour mémoriser la valeur.

L'écran affiche l'état de décharge en temps réel. Appuyer sur TYPE/STOP pour interrompre le processus de charge.

- a. type d'accu
- b. temps écoulé
- c. courant de charge
- d. tension d'accu
- e. capacité chargée

## Décharger un accu NiCd/NiMH

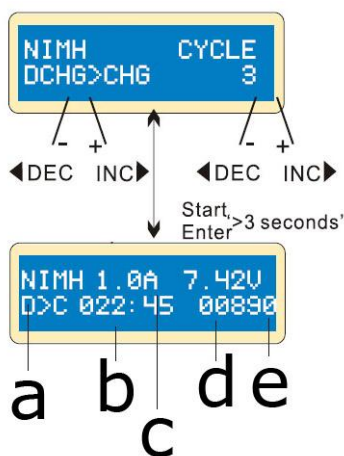


L'écran indique le courant de charge (gauche) et la tension finale (droite). La plage de courant est de 0.1 à 1.0 A ; la plage de tension est de 0.1 à 25.0 V. Maintenir enfoncé START/ENTER pendant 3 secondes pour lancer le programme de décharge.

L'écran affiche l'état de décharge. Appuyer START/ENTER pour modifier le courant de décharge, appuyer à nouveau pour mémoriser la valeur. Appuyer sur TYPE/STOP pour interrompre le processus de décharge

- a. type d'accu
- b. temps écoulé
- c. courant de décharge
- d. tension d'accu
- e. capacité déchargée

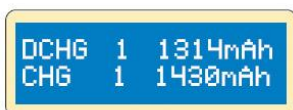
## Cycle de charge/décharge d'un accu NiCd/NiMH



Régler la séquence (gauche) et le nombre de cycles (droite). Le nombre de cycles varie de 1 à 5.

Appuyer sur TYPE/STOP pour interrompre le processus, appuyer sur START/ENTER pour modifier le courant de charge.

- a. type d'accu
- b. temps écoulé
- c. courant de charge/décharge
- d. tension d'accu
- e. capacité chargée/déchargée



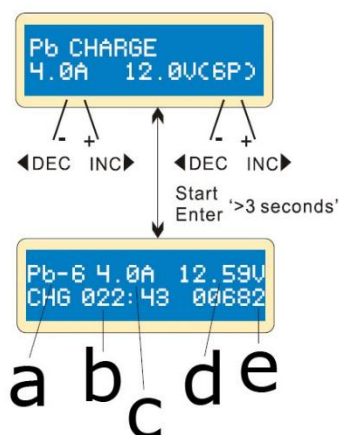
Lorsque le processus arrive à son terme, capacité chargée ou déchargée est affichée. Appuyer sur INC/DEC pour afficher le résultat.

## 9.4 Programme pour accus Pb

### Charger un accu Pb en mode charge

Ce programme convient uniquement à la charge d'accus Pb d'une tension nominale de 2 à 20 V. Les accus Pb sont complètement différents des accus NiCd/NiMH. Ils ne peuvent délivrer qu'un courant de faible intensité par rapport à leur capacité. La même restriction s'applique au processus de charge. Il en résulte que le courant de charge maximale ne peut uniquement être paramétré à 1/10 de la capacité. Les accus Pb ne peuvent pas être chargés rapidement.

En raison des caractéristiques d'un accu Pb, le point de coupure peut être difficile à détecter. Il est conseillé de définir un point de coupure afin de protéger l'accu. Appuyer sur START/ENTER pour activer la fonction, modifier les paramètres avec INC/DEC, et confirmer avec START/ENTER.

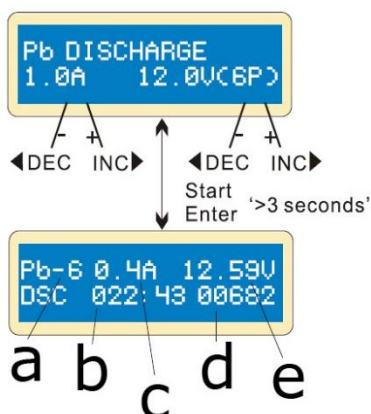


Régler le courant de charge (gauche) et la tension nominale (droite). Le courant varie de 0.1 à 5.0 A. La tension doit correspondre à celle de l'accu chargé. Maintenir enfoncé START/ENTER pendant 3 secondes pour lancer le processus de charge.

L'écran affiche l'état de charge en temps réel. Appuyer sur START/ENTER pour modifier le courant de charge, appuyer à nouveau pour mémoriser la valeur réglée. Maintenir enfoncé TYPE/STOP pendant 3 secondes pour interrompre le processus de charge.

- a. type d'accu
- b. temps écoulé
- c. courant de charge
- d. tension d'accu
- e. capacité chargée

### Décharger un accu Pb



Régler le courant de charge (gauche) et la tension nominale (droite). Le courant varie de 0.1 à 1.0 A. La tension doit correspondre à celle de l'accu chargé. Maintenir enfoncé START/ENTER pendant 3 secondes pour lancer le processus de décharge.

L'écran affiche l'état de décharge en temps réel. Appuyer sur START/ENTER pour modifier le courant de décharge, appuyer à nouveau pour mémoriser la valeur réglée. Maintenir enfoncé TYPE/STOP pendant 3 secondes pour interrompre le processus de décharge.

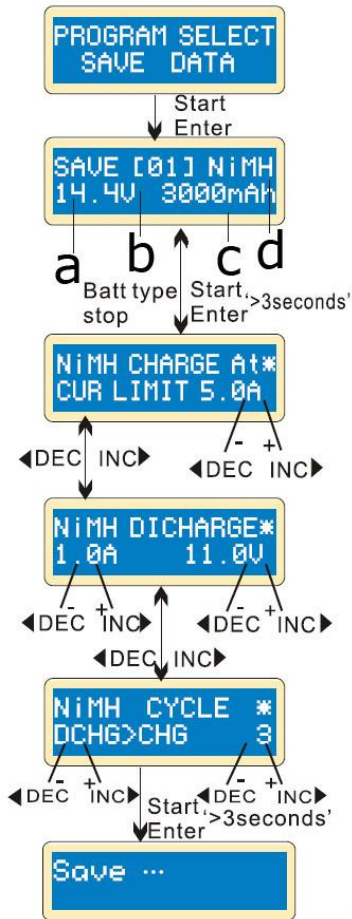
- a. type d'accu
- b. temps écoulé
- c. courant de décharge
- d. tension d'accu
- e. capacité déchargée

## 9.5 Programme de stockage de données

Pour votre confort, le chargeur est doté d'un programme de stockage et de charge. Il peut mémoriser jusqu'à 5 profils de données d'accu. Il est possible de rappeler les données durant la charge ou décharge, sans avoir à reconfigurer le programme.

### Stocker un programme

Appuyer sur START/ENTER pour sélectionner et régler les paramètres avec INC/DEC.



Le réglage des paramètres dans l'écran n'affectera pas le processus de charge/décharge ; il ne représente que la spécification de l'accu. L'exemple correspond à un accu NiMH muni de 12 éléments avec une capacité de 3000 mAh.

Régler le courant de charge en mode manuel, ou la limite de courant en mode automatique. Appuyer simultanément sur INC et DEC pour passer en mode charge.

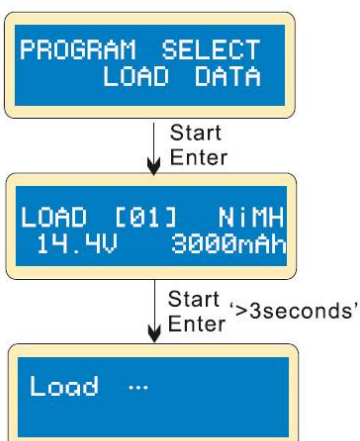
Régler le courant de décharge et la tension finale.

Régler la séquence de charge/décharge et le nombre de cycles.

Sauvegarder les données.

- a. tension
- b. numéro de données
- c. capacité
- d. type d'accu

### Charger un programme



Choisir le numéro de données à charger.

Charger les données.

## 10. Information d'affichage

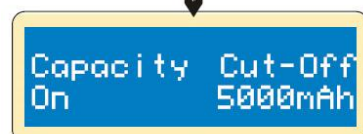
Ce chargeur permet d'accéder à différentes informations durant le processus de charge et décharge. Appuyer sur DEC pour afficher le réglage de l'utilisateur et appuyer sur INC pour contrôler la tension lorsque l'accu est connecté à chaque port du chargeur.



End Voltage  
12.6v(3s)

L'écran affiche la tension finale en fin du programme.

◀DEC ↓



Capacity Cut-Off  
On 5000mAh

L'écran affiche la valeur de capacité réglée et que la coupure de capacité est activée.

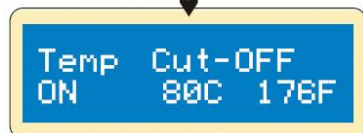
◀DEC ↓



Safety Timer  
ON 200min

L'écran affiche la durée en minutes et que le minuteur de sécurité est activé.

◀DEC ↓



Temp Cut-OFF  
ON 80C 176F

L'écran affiche la coupure de capacité activée.

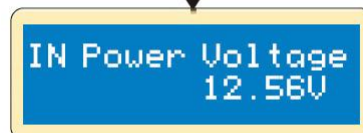
◀DEC ↓



Ext. Temp 26C

L'écran affiche la température externe (uniquement si le capteur de température est utilisé).

◀DEC ↓



IN Power Voltage  
12.56V

L'écran affiche la tension d'entrée en temps réel.

◀DEC ↓



4.14 4.16 4.09  
0.00 0.00 0.00

Si l'accu est connecté par câble, la tension de chaque élément est affichée.



## 11. Messages d'avertissement et d'erreur

Si une erreur est détectée, le chargeur affiche la cause de l'erreur et émet un avertissement sonore.

|                                  |  |
|----------------------------------|--|
| REVERSE POLARITY                 | Polarité inversée.   |
| CONNECTION BREAK                 | La connexion d'accu interrompue.   |
| SHORT ERR                        | Court-circuit au niveau de la sortie.  |
| INPUT VOL ERR                    | La tension d'entrée est incorrecte.  |
| VOL SELECT ERR                   | Sélection incorrecte de la tension du pack d'accus.  |
| BREAK DOWN                       | Chargeur défectueux. Contacter votre revendeur.  |
| BATTERY CHECK<br>LOW VOLTAGE     | La tension du pack d'accus est inférieure à la valeur de tension réglée. Contrôler le nombre d'éléments. |
| BATTERY CHECK<br>HIGH VOLTAGE    | La tension du pack d'accus est supérieure à la valeur de tension réglée. Contrôler le nombre d'éléments. |
| BATTERY VOLTAGE<br>CELL LOW VOL  | La tension d'un des éléments est trop faible. Contrôler la tension de chaque élément.                    |
| BATTERY VOLTAGE<br>CELL HIGH VOL | La tension d'un des éléments est trop élevée. Contrôler la tension de chaque élément.                    |
| BATTERY VOL ERR<br>CELL CONNECT  | Connexion incorrecte. Contrôler le connecteur et le câble.   |
| CONTROL FAILURE                  | Le processeur ne peut pas contrôler le courant d'alimentation. Contacter votre revendeur.                |

## 12. Puissance de charge/décharge max.

La puissance max. de ce chargeur : (1) charge : 50 W, (2) décharge : 5 W.

Pour un accu avec une tension supérieure à 10 V, le courant de charge fourni à l'accu sera limité automatiquement. Le courant d'alimentation actuelle est le suivant :

| type d'accu | nombre d'éléments | tension nominale (V) | tension de charge max. (V) | courant de charge (A) | courant de décharge (A) |
|-------------|-------------------|----------------------|----------------------------|-----------------------|-------------------------|
| NiCd/NiMH   | 1                 | 1.20                 | 1.50                       | 5.00                  | 1.00                    |
|             | 2                 | 2.40                 | 3.00                       | 5.00                  | 1.00                    |
|             | 3                 | 3.60                 | 4.50                       | 5.00                  | 1.00                    |
|             | 4                 | 4.80                 | 6.00                       | 5.00                  | 0.83                    |
|             | 5                 | 6.00                 | 7.50                       | 5.00                  | 0.67                    |
|             | 6                 | 7.20                 | 9.00                       | 5.00                  | 0.56                    |
|             | 7                 | 8.40                 | 10.50                      | 5.00                  | 0.48                    |
|             | 8                 | 9.60                 | 12.00                      | 5.00                  | 0.42                    |
|             | 9                 | 10.80                | 13.50                      | 4.63                  | 0.37                    |
|             | 10                | 12.00                | 15.00                      | 4.17                  | 0.33                    |
|             | 11                | 13.20                | 16.50                      | 3.79                  | 0.30                    |
|             | 12                | 14.40                | 18.00                      | 3.47                  | 0.28                    |
|             | 13                | 15.60                | 19.50                      | 3.21                  | 0.26                    |
|             | 14                | 16.80                | 21.00                      | 2.98                  | 0.24                    |
|             | 15                | 18.00                | 22.50                      | 2.78                  | 0.22                    |
| LiPo        | 1 élément         | 3.70                 | 4.20                       | 5.00                  | 1.00                    |
|             | 2 éléments        | 7.40                 | 8.40                       | 5.00                  | 0.60                    |
|             | 3 éléments        | 11.10                | 12.60                      | 4.50                  | 0.40                    |
|             | 4 éléments        | 14.80                | 16.80                      | 3.38                  | 0.30                    |
|             | 5 éléments        | 18.50                | 21.00                      | 2.70                  | 0.24                    |
|             | 6 éléments        | 22.20                | 25.20                      | 2.25                  | 0.20                    |
| LiFe        | 1 élément         | 3.30                 | 3.60                       | 5.00                  | 1.00                    |
|             | 2 éléments        | 6.60                 | 7.20                       | 5.00                  | 0.69                    |
|             | 3 éléments        | 9.90                 | 10.80                      | 5.00                  | 0.46                    |
|             | 4 éléments        | 13.20                | 14.40                      | 3.79                  | 0.35                    |
|             | 5 éléments        | 16.50                | 18.00                      | 3.03                  | 0.28                    |
|             | 6 éléments        | 19.80                | 21.60                      | 2.53                  | 0.23                    |
| Li-ion      | 1 élément         | 3.60                 | 4.10                       | 5.00                  | 1.00                    |
|             | 2 éléments        | 7.20                 | 8.20                       | 5.00                  | 0.61                    |
|             | 3 éléments        | 10.80                | 12.30                      | 4.63                  | 0.41                    |
|             | 4 éléments        | 14.40                | 16.40                      | 3.47                  | 0.30                    |
|             | 5 éléments        | 18.00                | 20.50                      | 2.78                  | 0.24                    |
|             | 6 éléments        | 21.60                | 24.60                      | 2.31                  | 0.20                    |
| Pb          |                   | 6.00                 | 6.90                       | 5.00                  | 0.72                    |
|             |                   | 8.00                 | 9.20                       | 5.00                  | 0.54                    |
|             |                   | 10.00                | 11.50                      | 5.00                  | 0.43                    |
|             |                   | 12.00                | 13.80                      | 4.17                  | 0.36                    |
|             |                   | 14.00                | 16.10                      | 3.57                  | 0.31                    |
|             |                   | 16.00                | 18.40                      | 3.13                  | 0.27                    |
|             |                   | 18.00                | 20.70                      | 2.78                  | 0.24                    |
|             | 20.00             | 23.00                | 2.50                       | 0.22                  |                         |

### 13. Nettoyage et entretien

Cet appareil ne nécessite aucun entretien particulier. Essuyer occasionnellement l'appareil avec un chiffon humide. Ne pas utiliser d'agents chimiques agressifs, de solvants ni de détergents puissants.

Un câble d'alimentation endommagé doit être remplacé par le fabricant, un technicien ou une autre personne qualifiée pour éviter tout danger.

### 14. Spécifications techniques

|                                  |   |
|----------------------------------|---|
| technologie.....                 | NiCd, NiMh, Li-ion, LiPo, LiFe, Pb                                      |
| design                           |   |
| accus NiCd/NiMh.....             | 1-15 éléments   |
| accus Li-ion / LiPo / LiFe ..... | 1-6 éléments  |
| plage de tension.....            | 11-18 V $\overline{=}$ (adaptateur secteur non incl.)                   |
| courant de charge .....          | 0.1-5.0 A   |
| courant de décharge.....         | 0.1-1.0 A   |
| puissance de charge max. ....    | 50 W  |
| puissance de décharge max.....   | 5 W   |
| courant d'équilibrage LiPo ..... | 300 mA/élément  |
| accus Pb .....                   | 2-20 V  |
| incl.....                        | connecteur de charge JST-XH   |
| .....                            | (compatible avec Zippy, HXT, Loong Max et packs avec un adaptateur JST) |
| dimensions.....                  | 133 x 87 x 33 mm  |
| poids .....                      | 277 g   |

**N'employer cet appareil qu'avec des accessoires d'origine. La SA Velleman ne peut, dans la mesure conforme au droit applicable être tenue responsable des dommages ou lésions (directs ou indirects) pouvant résulter de l'utilisation de cet appareil. Pour plus d'informations concernant cet article et la dernière version de ce mode d'emploi, consulter notre site [www.velleman.eu](http://www.velleman.eu). Toutes les informations présentées dans ce mode d'emploi peuvent être modifiées sans notification préalable.**

#### © DROITS D'AUTEUR

**SA Velleman est l'ayant droit des droits d'auteur de ce mode d'emploi. Tous droits mondiaux réservés.** Toute reproduction, traduction, copie ou diffusion, intégrale ou partielle, du contenu de ce mode d'emploi par quelque procédé ou sur tout support électronique que ce soit est interdite sans l'accord préalable écrit de l'ayant droit.

# MANUAL DEL USUARIO

## 1. Introducción

### A los ciudadanos de la Unión Europea

#### Importantes informaciones sobre el medio ambiente concerniente a este producto



Este símbolo en este aparato o el embalaje indica que, si tira las muestras inservibles, podrían dañar el medio ambiente. No tire este aparato (ni las pilas, si las hubiera) en la basura doméstica; debe ir a una empresa especializada en reciclaje. Devuelva este aparato a su distribuidor o a la unidad de reciclaje local. Respete las leyes locales en relación con el medio ambiente.

#### ■ Si tiene dudas, contacte con las autoridades locales para residuos.

¡Gracias por elegir Velleman! Lea atentamente las instrucciones del manual antes de usar el aparato. Si ha sufrido algún daño en el transporte no lo instale y póngase en contacto con su distribuidor.

## 2. Instrucciones de seguridad

|  |   |
|--|---|
|  | Nunca deje el cargador sin vigilancia, cuando esté conectado a su fuente de alimentación. ¡En caso de un mal funcionamiento, interrumpa el proceso inmediatamente!  |
|  | No exponga este equipo a polvo ni temperaturas extremas.  |
|  | Instale este cargador y la batería conectada sobre una superficie resistente al calor, ignífuga y no conductora. Nunca los ponga en el asiento del coche, una alfombra o similar. Mantenga el aparato lejos del alcance de materiales inflamables.  |
|  | Para evitar un cortocircuito entre los cables de carga, conecte siempre primero el cable del cargador y luego la batería. Invierta la secuencia para desconectarlos.  |
|  | Nunca conecte más de una batería a la vez.  |
|  | Nunca intente cargar o descargar los siguientes tipos de baterías: <ul style="list-style-type: none"> <li>• una batería que consta de diferentes tipos de células</li> <li>• una batería que ya está completamente cargada o sólo un poco descargada</li> <li>• una batería que exige una técnica de carga diferente de la descrita en este manual del usuario</li> <li>• una batería defectuosa o dañada</li> <li>• una batería que está equipada con un circuito de carga incorporada o un circuito de protección</li> <li>• una batería que está incorporada en un dispositivo o que está conectada eléctricamente a otros componentes</li> <li>• una batería que no esté descrita en este manual del usuario</li> </ul> |

## 3. Instrucciones de advertencia y seguridad

| NiCd/NiMH                                  |   |
|--|---|
| nivel de tensión                           | 1.2 V / célula                                |
| corriente de carga rápida permitida        | 1-2 A (depende de la capacidad de la célula)  |
| nivel de corte de tensión de descarga      | 0.85 V / célula (NiCd), 1.0 V / célula (NiMH) |
| Li-ion                                     |   |
| nivel de tensión                           | 3.6 V / célula                                |
| tensión de carga máx.                      | 4.1 V / célula                                |
| corriente de carga rápida permitida        | ≤ 1 A   |
| nivel de corte de tensión de descarga mín. | ≥ 2.5 V / célula                              |

| <b>LiPo</b>                           |                   |
|---------------------------------------|-------------------|
| nivel de tensión                      | 3.7 V / célula    |
| tensión de carga máx.                 | 4.2 V / célula    |
| corriente de carga rápida permitida   | ≤ 1 A             |
| nivel de corte de tensión de descarga | ≥ 3.0 V / célula  |
| <b>LiFe</b>                           |                   |
| nivel de tensión                      | 3.3 V / célula    |
| tensión de carga máx.                 | 3.6 V / célula    |
| corriente de carga rápida permitida   | ≤ 4 A             |
| nivel de corte de tensión de descarga | ≥ 2.0 V / célula  |
| <b>Plomo</b>                          |                   |
| nivel de tensión                      | 2.0 V / célula    |
| tensión de carga máx.                 | 2.46 V / célula   |
| corriente de carga rápida permitida   | ≤ 0.4 A           |
| nivel de corte de tensión de descarga | ≥ 1.75 V / célula |

## 4. Normas generales

Véase la **Garantía de servicio y calidad Velleman®** al final de este manual del usuario.



Proteja el aparato contra choques y golpes. Evite usar excesiva fuerza durante el manejo.

- Familiarícese con el funcionamiento del aparato antes de utilizarlo.
- Por razones de seguridad, las modificaciones no autorizadas del aparato están prohibidas. Los daños causados por modificaciones no autorizadas, no están cubiertos por la garantía.
- Utilice sólo el aparato para las aplicaciones descritas en este manual. Utilice sólo la manguera luminosa para aplicaciones descritas en este manual a fin de evitar p.ej. cortocircuitos, quemaduras, descargas eléctricas, etc. Un uso desautorizado puede causar daños y anula la garantía completamente.
- Los daños causados por descuido de las instrucciones de seguridad de este manual invalidarán su garantía y su distribuidor no será responsable de ningún daño u otros problemas resultantes.
- **Respete** las especificaciones.
- Ni Velleman nv ni sus distribuidores serán responsables de los daños extraordinarios, ocasionales o indirectos, sea cual sea la índole (financiera, física, etc.), causados por la posesión, el uso o el fallo de este producto.
- Debido a las continuas mejoras, el producto podría diferir del de las imágenes.
- Las imágenes son meramente ilustrativas.
- No conecte el aparato si ha estado expuesto a grandes cambios de temperatura. Espere hasta que el aparato llegue a la temperatura ambiente.
- Guarde este manual del usuario para cuando necesite consultarlo.

## 5. Características

El VLE8 es un cargador inteligente, capaz de cargar, regular la tensión y descargar baterías recargables. Este cargador controlado por microprocesador está equipado con un regulador de tensión de cada célula por separado. La corriente de carga es regulable de 0.1 a 5.0 A y el aparato puede cargar máx. 6 células en serie. Está equipado con una protección de la tensión de entrada y el modo de almacenamiento (STORAGE). El cargador tiene un rango de tensión de 11 a 18 V y es muy flexible.

- controlado por microprocesador
- sensibilidad Delta-Pico
- regula la tensión de cada célula por separado
- permite: Li-ion, Li-poly, Li-Fe, NiCd, NiMH
- amplio rango de corrientes de carga

- modo de almacenamiento (STORAGE)
- con temporizador de seguridad
- control de la tensión de entrada (para proteger la batería de coche)
- almacenamiento de datos (almacena los datos de máx. 5 baterías)
- modos de funcionamiento: "Break-in" (formatear baterías nuevas) y "Cycle" (Ciclo)

### Características especiales

**Software de funcionamiento optimizado:** Para la carga y la descarga, el cargador está equipado con una función AUTO, que regula la corriente de alimentación automáticamente. Gracias a esta función, sobre todo en las baterías de litio, se puede evitar una sobrecarga, que podría causar una explosión. El cargador puede desconectar automáticamente el circuito, y activar la alarma cuando detecte un mal funcionamiento. Todos los ajustes pueden ser configurados por el usuario.

**Regulador de tensión incorporado para baterías de litio:** El cargador regula la tensión de cada célula por separado. Por ello, no necesita un dispositivo adicional para regular la tensión.

**La regulación de tensión durante la descarga:** El cargador controla y regula la tensión de cada célula por separado durante la descarga. Si la tensión de una de las células fluctúa de manera anormal, se visualizará un mensaje de error y el proceso se interrumpirá automáticamente.

**Apto para diferentes tipos de baterías de litio:** El cargador es apto para diferentes tipos de baterías de litio (p.ej. Li-ion, LiPo y LiFe).

**Modo de carga rápida (FAST) y modo de almacenamiento (STORAGE) para baterías de litio:** El cargador ofrece funciones para diferentes tipos de aplicaciones: El modo de carga rápida (FAST) disminuye considerablemente el tiempo de carga, el modo de almacenamiento (STORAGE) regula la tensión de la batería para un almacenamiento prolongado.

**Análisis basado en PC con USB:** El cargador está equipado con un programa basado en PC para analizar las características de la batería. Las curvas de tensión, corriente, capacidad y temperatura y las tensiones de las células individuales se visualizarán. El adaptador USB está disponible por separado.

**Seguridad máxima:** La terminación de carga automática se basa en el principio de la detección de la tensión Delta-Peak: Si la tensión de la batería sobrepasa el límite máximo, el proceso de carga se interrumpirá automáticamente.

**Límite de corriente durante la carga automática:** Es posible determinar la corriente de carga máxima cargando baterías NiCd y NiMH. Esto es sobre todo útil si carga baterías de baja impedancia y capacidad en el modo de carga automática.

**Límite de capacidad:** La capacidad de carga se calcula multiplicando la corriente de carga por el tiempo. Si la capacidad de carga sobrepasa el valor máximo determinado por Usted, el proceso se terminará automáticamente.

**Límite de temperatura:** La temperatura de la batería sube durante la carga a causa de la reacción química en el interior de la batería. El proceso se terminará automáticamente en cuanto la temperatura alcance el valor máximo determinado por Usted. Esta función sólo está disponible al conectar una sonda de temperatura (opcional).

**Límite de tiempo de carga y descarga:** Es posible limitar el tiempo de carga y descarga máx. para evitar posibles daños.

**Almacenar y cargar datos:** El cargador puede almacenar los datos de máx. 5 baterías. Es posible recordar los datos almacenados en cualquier momento.

**Carga y descarga cíclica:** Para refrescar o regular la tensión de la batería, es posible efectuar de 1 a 5 ciclos de carga-descarga o de descarga-carga.

## 6. Descripción

Véase las figuras en la página 2 de este manual del usuario.

|          |                               |
|----------|-------------------------------|
| <b>1</b> | pantalla LCD                  |
| <b>2</b> | puerto JST XH                 |
| <b>3</b> | salida para el cable de carga |
| <b>4</b> | botón START/ENTER             |

|          |                                     |
|----------|-------------------------------------|
| <b>5</b> | botón DECREASE/INCREASE             |
| <b>6</b> | botón battery TYPE/STOP             |
| <b>7</b> | puerto para la sonda de temperatura |

## 7. Menú – Diagrama del Programa

Consulte las figuras en la página 3 de este manual del usuario.

## 8. Esquema de conexión

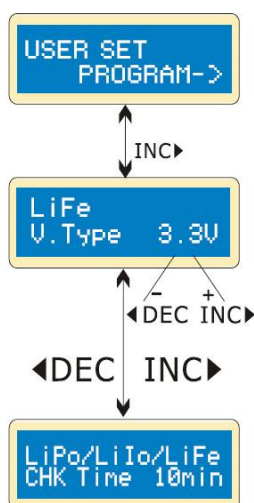
Conecte la batería correctamente al cargador cuando utilice el modo de carga con balanceador. Conecte el cable de la batería y el conector de balanceado antes de empezar a cargar. Si no los conecta correctamente, se dañará el cargador.



## 9. Funcionamiento

### 9.1 Configuración

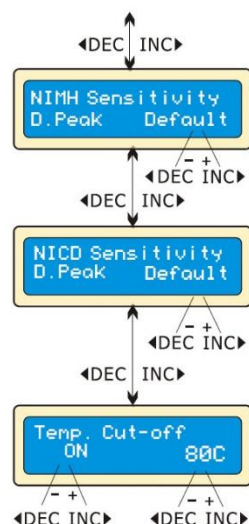
Por defecto, el cargador utilizará el valor estándar de los ajustes de usuario al conectarlo por primera vez a una carga de 11-18 V. Para cambiar un valor, pulse START/ENTER y cámbielo con el botón INC/DEC. Vuelva a pulsar START/ENTER una vez para almacenar el valor.



Pantalla de inicio

La pantalla visualizará la tensión nominal de la batería de litio. Hay 3 tipos de baterías de litio: Li-Fe (3.3 V), Li-Io (3.6 V) and Li-poly (3.7 V). Por ello, es muy importante probar la batería y ajustarla de forma correcta. Un valor incorrecto durante el proceso de carga podría dañar la batería.

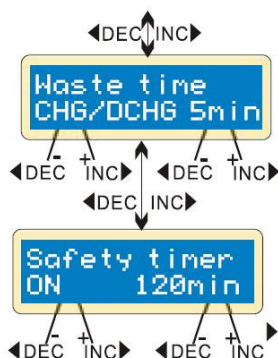
Este cargador detectará automáticamente el tipo de batería. Sin embargo, no es posible detectar una batería muy descargada. Para evitar errores y daños, determine el tiempo durante el cual el cargador debe detectar la batería. Suele ser suficiente 10 minutos pero prolongue el tiempo para baterías de mayor capacidad. En caso de duda, utilice el ajuste por defecto.



Esta pantalla visualiza la tensión de disparo para la desactivación automática de la carga para baterías NiMH y NiCd. El valor efectivo está entre 5 y 20 mV por célula. Si selecciona un valor más alto para la tensión de disparo, se podría sobrecargar la batería. Si seleccione un valor más bajo, existe el peligro de una terminación prematura. Para más información, consulte las especificaciones de la batería (NiCd por defecto: 12 mV, NiMH por defecto: 7 mV).

También es posible utilizar un sensor de temperatura, que haga contacto con la superficie de la batería. Si esta opción está activada, puede determinar la temperatura máx. de la batería durante la carga. En cuanto alcance esta temperatura, el proceso se terminará para proteger la batería.



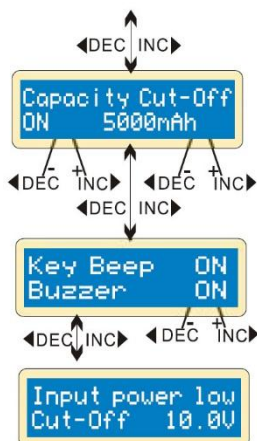


La batería se calienta después de cada ciclo de carga/descarga. El programa dejará que la batería se enfríe durante algún tiempo después del ciclo de carga/descarga y antes del siguiente ciclo. Puede determinar la duración entre 0 y 60 segundos.

El temporizador de seguridad incorporado se activará automáticamente al iniciar un proceso de carga. Si se detecta un error o el circuito de terminación no puede detectar si la batería está completamente cargada o no, este programa evitará una sobrecarga.

**Ajustes del temporizador de seguridad**

| capacidad en mAh | corriente | temporizador de seguridad                  |
|------------------|-----------|--|
| 2000             | 2.0 A     | $(2000/2.0 = 1000)/11.9 = 84 \text{ min.}$ |
| 3300             | 3.0 A     | $(3300/3.0 = 1100)/11.9 = 92 \text{ min.}$ |
| 1000             | 1.2 A     | $(1000/1.2 = 833)/11.9 = 70 \text{ min.}$  |



Este programa procura una protección máxima. En caso de que no se pueda detectar la tensión delta-pico o si el temporizador de seguridad se activa, esta función interrumpirá el proceso de carga automáticamente al alcanzar el valor de capacidad determinado.

El cargador emitirá una señal acústica cada vez que se pulse un botón o al seleccionar otro modo. Es posible activar o desactivar la señal acústica.

Esta función controla la tensión de entrada de la batería. Si la tensión cae por debajo del valor determinado, el proceso se interrumpirá para proteger la batería.

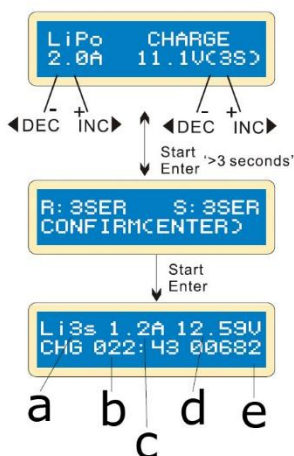
**9.2 Los programas para baterías de litio (Li-ion, LiPo, LiFe)**

El cargador sólo es apto para cargar baterías de litio con una tensión nominal de 3.3, 3.6 ó 3.7 V. Se necesitan diferentes métodos de carga para estas baterías. Hay dos métodos de carga: El modo de tensión constante y el modo de corriente constante. La corriente de carga varía según la capacidad y la potencia de la batería. La tensión final es muy importante y debería coincidir exactamente con la tensión de la batería. Para baterías LiPo la tensión es de 4,2 V, para baterías Li-ion 4,1 V y para baterías LiFe 3,6 V.

Para cambiar un valor, pulse START/ENTER y cámbielo con el botón INC/DEC. Vuelva a pulsar START/ENTER una vez para almacenar el valor.

### Cargar una batería de litio

En este modo, es posible cargar baterías Li-ion, LiPo y LiFe sin que se regule la tensión de cada célula por separado.



Esta pantalla muestra el tipo de batería que ha seleccionado (a la izquierda) y la corriente de carga (a la derecha). Mantenga pulsado START/ENTER durante mín. 3 segundos para iniciar el proceso de carga.

Esta pantalla muestra el número de células seleccionado. R visualiza el número de células que el cargador detecta. S visualiza el número de células que ha determinado anteriormente. Si los números son idénticos, puede iniciar el proceso de carga al pulsar START/ENTER. Si no fuera así, pulse TYPE/STOP para volver a la pantalla anterior y vuelva a comprobar el número de células.

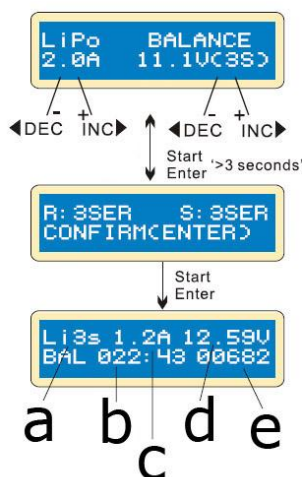
Esta pantalla visualiza el estado de carga actual. Pulse TYPE/STOP para desactivar el proceso de carga.

- número de células
- tiempo de carga
- corriente de carga
- tensión de batería
- capacidad cargada

### Cargar una batería de litio con el regulador de tensión

Este modo regula la tensión de cada célula de una batería de litio que esté cargando. En este modo, debe conectar el cable de regulación de tensión al puerto adecuado. Conecte el cable de alimentación a la salida adecuada.

En este modo, el proceso de carga es diferente de los modos normales porque el procesador interno controla la tensión de las células por separado y regula la corriente de carga que va a cada célula para normalizar la tensión.



Esta pantalla muestra el tipo de batería que ha seleccionado (a la izquierda) y la corriente de carga (a la derecha). Mantenga pulsado START/ENTER durante mín. 3 segundos para iniciar el proceso de carga.

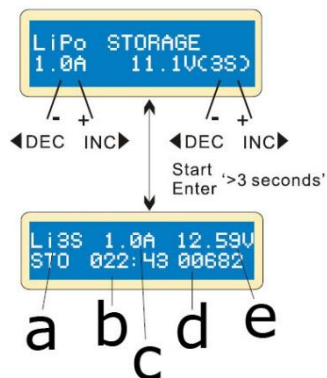
Esta pantalla muestra el número de células seleccionado. R visualiza el número de células que el cargador detecta. S visualiza el número de células que ha determinado anteriormente. Si los números son idénticos, puede iniciar el proceso de carga al pulsar START/ENTER. Si no fuera así, pulse TYPE/STOP para volver a la pantalla anterior y vuelva a comprobar el número de células.

Esta pantalla visualiza el estado de carga actual. Pulse TYPE/STOP para desactivar el proceso de carga.

- número de células
- tiempo de carga
- corriente de carga
- tensión de batería
- capacidad cargada

### Cargar una batería de litio en el modo de carga rápida (FAST)

Cuanto más avance el proceso de carga, más disminuirá la corriente de carga. Para terminar el proceso de carga más rápidamente, este programa salta algunos pasos del proceso de tensión constante. La corriente de carga se reducirá a 1/5 cuando el proceso de carga esté a 1/10. La capacidad de carga será algo menor que durante la carga normal, pero el tiempo de carga también será menor.



Aquí, puede determinar la corriente de carga y la tensión. La carga/descarga hará que la batería pase al nivel de tensión del modo 'STORAGE'

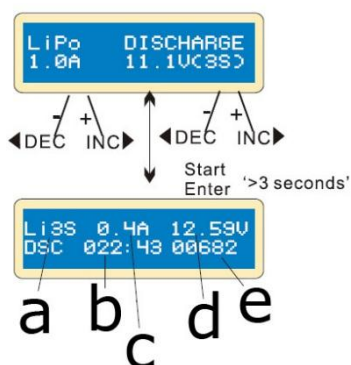
Esta pantalla visualiza el estado de carga actual. Pulse TYPE/STOP para terminar el proceso de carga.

- número de células
- tiempo transcurrido
- corriente de carga o descarga
- capacidad suministrado
- tensión actual de la batería

### Cargar una batería de litio en el modo de almacenamiento (STORAGE)

Esta función sirve para cargar o descargar baterías que no va a utilizar durante un período de tiempo. Este programa sólo es apto para las siguientes baterías: baterías LiPo de 3,85 V, baterías Li-ion de 3.75 V y baterías Li-Fe de 3.3 V. Si la tensión de salida sobrepasa la tensión de almacenamiento, el programa iniciará el proceso de descarga.

#### Descargar una batería de litio



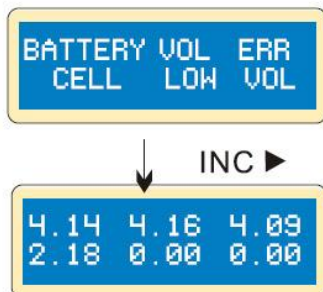
Esta pantalla visualiza el estado de descarga actual. Pulse TYPE/STOP para terminar el proceso de descarga.

Asegúrese de que la corriente de descarga de la parte izquierda de la pantalla no sobrepase 1.0 A. El valor de la parte derecha de la pantalla no debe ser inferior al nivel recomendado por el fabricante para evitar una descarga. Mantenga pulsado START/ENTER durante mín. 3 segundos para iniciar el proceso de descarga.

- número de células
- tiempo transcurrido
- corriente de descarga
- tensión de batería
- capacidad descargada

### Regulación y control de la tensión durante el proceso de descarga

En el modo de almacenamiento y durante la descarga, el cargador controla la tensión de cada célula. Si la tensión de una de las células fluctúa de manera anormal, se visualizará un mensaje de error y el proceso se interrumpirá automáticamente. Pulse INC para visualizar la célula dañada.



El cargador indica que la tensión de una de las células es demasiado baja.

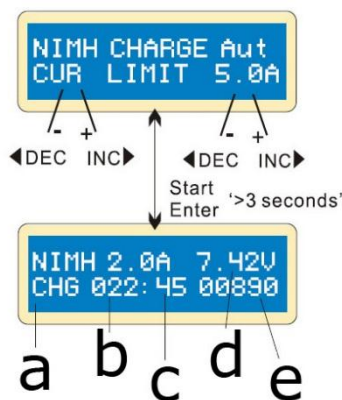
Aquí, la <sup>cuarta</sup> célula está dañada. El valor de tensión será 0 cuando la conexión sea interrumpida.

## 9.3 El programa para baterías NiCd y NiMH

### Cargar baterías NiCd y NiMH

Este programa cargará la batería con el valor de corriente determinado por Usted. Primero, determine el límite máximo para la corriente de carga para evitar dañar la batería. Algunas baterías de baja impedancia y capacidad pueden causar una corriente más alta en el modo de carga automática

En el modo de carga manual, la batería se cargará con la corriente de carga determinada por Usted. Pulse INC/DEC para conmutar entre el modo automático y el modo manual.

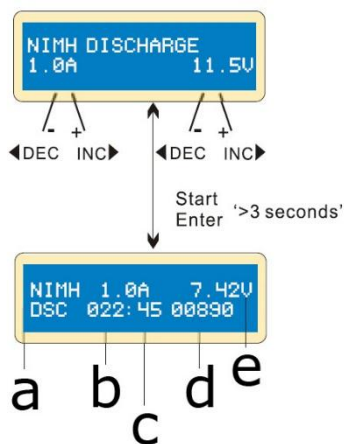


Este programa se utiliza para cargar baterías NiCd y NiMH en aplicaciones R/C. Pulse START/STOP para seleccionar el programa y cambie el valor con INC/DEC. Vuelva a pulsar START/ENTER para almacenar los valores ajustados.

Esta pantalla visualiza el estado de descarga actual. Pulse TYPE/STOP para terminar el proceso de carga.

- a. tipo de pila
- b. tiempo transcurrido
- c. corriente de carga
- d. tensión de batería
- e. capacidad cargada

## Descargar baterías NiCd y NiMH

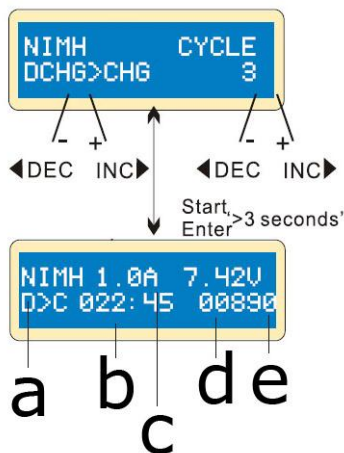


La pantalla visualiza la corriente de descarga (a la izquierda) y la tensión meta (a la derecha). La corriente de descarga está entre 0.1 y 1.0 A. La tensión meta está entre 0.1 y 25.0 V. Pulse START/ENTER durante mín. 3 segundos para iniciar el proceso de descarga.

La pantalla visualiza el estado de descarga actual. Pulse START/ENTER para modificar la corriente de descarga. Vuelva a pulsar para almacenar el valor. Pulse TYPE/STOP para terminar el proceso de descarga.

- tipo de pila
- tiempo transcurrido
- corriente de descarga
- tensión de batería
- capacidad descargada

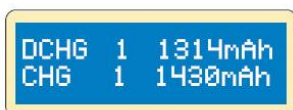
## Ciclo de carga-descarga y ciclo de descarga-carga para baterías NiMH y NiCd



Determine la secuencia (a la izquierda) y el número de ciclos (a la derecha). Puede determinar el número de ciclos entre 1 y 5.

Pulse TYPE/STOP para terminar el proceso. Pulse START/ENTER para modificar la corriente de carga.

- tipo de pila
- tiempo transcurrido
- corriente de carga o descarga
- tensión de batería
- capacidad de carga o descarga

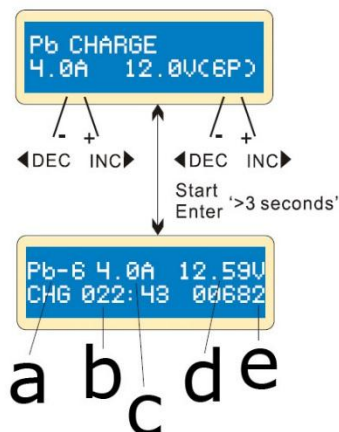


Al final del proceso se visualizarán las capacidades de carga o descarga de la batería. Pulse INC/DEC para visualizar el resultado.

## 9.4 El programa para baterías de plomo (Pb)

### Cargar una batería de plomo

Este programa sólo es apto para cargar baterías de plomo con una tensión nominal de 2 a 20 V. Una batería de plomo es completamente diferente a una batería NiCd o NiMH. En comparación con su capacidad puede suministrar sólo menor corriente. Para cargar esta batería valen severas restricciones. Por consiguiente, la corriente de carga óptima es de 1/10 de la capacidad. Una batería de plomo no es apta para una carga rápida. Debido a las características químicas de una batería de plomo, puede ser difícil detectar la tensión de corte. Utilice la función de corte de capacidad para proteger la batería. Pulse START/ENTER para activar la función, modifique los parámetros con INC/DEC y confirme con START/ENTER.

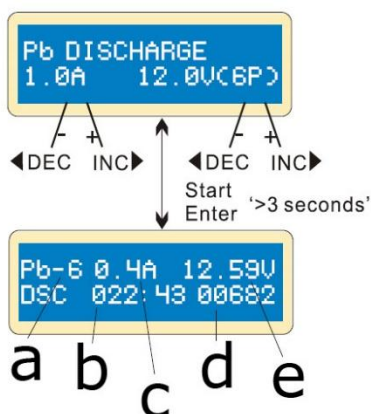


Determine la corriente de carga (a la izquierda) y la tensión nominal (a la derecha). La corriente es de 0.1-5.0 A. La tensión debería coincidir con la tensión de la batería que está cargando. Pulse START/ENTER durante mín. 3 segundos para activar el programa de carga.

Esta pantalla visualiza el estado de carga actual. Pulse START/ENTER para modificar la corriente de carga. Vuelva a pulsar para almacenar el valor introducido. Mantenga pulsado TYPE/STOP durante mín. 3 segundos para interrumpir el proceso de carga.

- tipo de pila
- tiempo transcurrido
- corriente de carga
- tensión de batería
- capacidad cargada

### Descargar una batería de plomo



Determine la corriente de carga (a la izquierda) y la tensión nominal (a la derecha). La corriente es de 0.1-1.0 A. La tensión debería coincidir con la tensión de la batería que está descargando. Pulse START/ENTER durante mín. 3 segundos para iniciar el proceso de descarga.

Esta pantalla visualiza el estado de descarga actual. Pulse START/ENTER para modificar la corriente de descarga. Vuelva a pulsar para almacenar el valor introducido. Mantenga pulsado TYPE/STOP durante mín. 3 segundos para interrumpir el proceso de descarga.

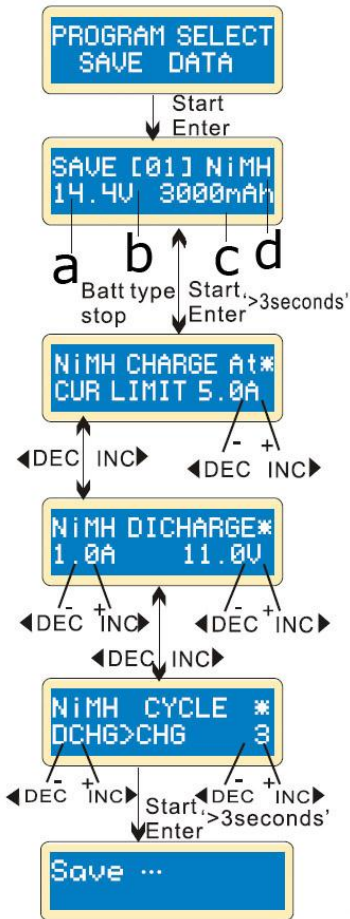
- tipo de pila
- tiempo transcurrido
- corriente de descarga
- tensión de batería
- capacidad descargada

### 9.5 Programa para almacenar datos

El cargador está equipado con un programa para almacenar y cargar datos. Es posible almacenar los datos de máx. 5 baterías. Es posible recordar los datos durante el proceso de carga o descarga sin que necesite regular el programa de nuevo.

#### Almacenar un programa

Pulse START/ENTER para seleccionar un valor y ajústelo con INC/DEC.



El ajuste de los valores no afecta al proceso de carga y descarga. La pantalla incluye sólo las especificaciones de la batería. Este ejemplo muestra una batería NiMH con 12 células y una capacidad de 3000 mAh.

Ajuste la corriente de carga para el modo de carga manual o el límite de corriente para el modo automático. Pulse INC y DEC simultáneamente para ir al modo de carga.

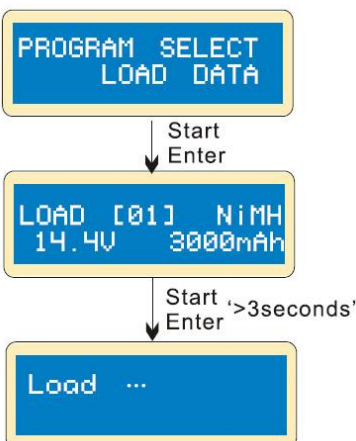
Determine la corriente de descarga y la tensión meta.

Determine la secuencia de carga o descarga y el número de ciclos.

Se están almacenando los datos.

- a. tensión
- b. número de dato
- c. capacidad
- d. tipo de pila

#### Cargando un programa



Seleccione el número de datos que quiere recordar.

Se están cargando los datos.



## 10. Recordar informaciones

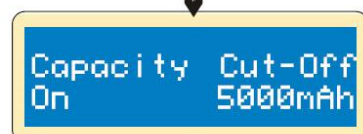
Durante el proceso de carga y descarga, es posible recordar varias informaciones. Pulse DEC para visualizar los ajustes de usuario. Si la batería está conectada con un cable a cada puerto, pulse INC, para controlar la tensión de cada célula por separado.



End Voltage  
12.6v(3s)

La pantalla visualiza la tensión final cuando se termine el proceso.

◀DEC ↓



Capacity Cut-Off  
On 5000mAh

La pantalla indica el valor de la capacidad ajustado y que la función de corte de capacidad está activada.

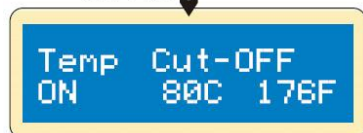
◀DEC ↓



Safety Timer  
ON 200min

La pantalla visualiza la duración en minutos y que el temporizador de seguridad está activado.

◀DEC ↓



Temp Cut-OFF  
ON 80C 176F

La pantalla visualiza que la función de corte de temperatura está activada.

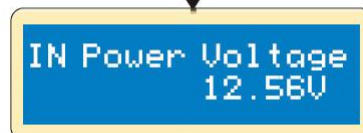
◀DEC ↓



Ext. Temp 26C

La pantalla visualiza la temperatura exterior (sólo si utiliza una sonda de temperatura).

◀DEC ↓



IN Power Voltage  
12.56V

La pantalla visualiza la tensión de entrada actual.

◀DEC ↓



4.14 4.16 4.09  
0.00 0.00 0.00

Si la batería está conectada con cable, se visualizará la tensión de cada célula.

## 11. Advertencias y mensajes de error

En caso de un error, la causa del error se visualizará en la pantalla y el cargador emite una señal acústica.

|                                  |  |
|----------------------------------|--|
| REVERSE POLARITY                 | Inversión de polaridad   |
| CONNECTION BREAK                 | La conexión está interrumpida.   |
| SHORT ERR                        | Cortocircuito en la salida.  |
| INPUT VOL ERR                    | Tensión de entrada incorrecta.   |
| VOL SELECT ERR                   | Selección incorrecta de la tensión.  |
| BREAK DOWN                       | Cargador defectuoso. Contacte con su distribuidor.   |
| BATTERY CHECK<br>LOW VOLTAGE     | La tensión de batería es inferior al valor de tensión ajustado.<br>Compruebe el número de células. |
| BATTERY CHECK<br>HIGH VOLTAGE    | La tensión de batería es superior al valor de tensión ajustado.<br>Compruebe el número de células. |
| BATTERY VOLTAGE<br>CELL LOW VOL  | La tensión en una de las células es demasiado baja. Compruebe la<br>tensión de cada célula.        |
| BATTERY VOLTAGE<br>CELL HIGH VOL | La tensión en una de las células es demasiado alta. Compruebe la<br>tensión de cada célula.        |
| BATTERY VOL ERR<br>CELL CONNECT  | Conexión incorrecta Compruebe la conexión y el cable.  |
| CONTROL FAILURE                  | El procesador no puede controlar la corriente de alimentación. Contacte<br>con su distribuidor.    |

## 12. Potencia de carga y descarga máx.

La potencia máx. de este cargador es de: (1) carga: 50 W, (2) descarga: 5 W.

Para una batería con una tensión superior a 10 V, la corriente de carga está limitada automáticamente. La corriente de alimentación se visualizará de la siguiente manera:

| tipo de pila | número de células | tensión nominal (V) | tensión de carga máx. (V) | corriente de carga (A) | corriente de descarga (A) |
|--------------|-------------------|---------------------|---------------------------|------------------------|---------------------------|
| NiCd/NiMH    | 1                 | 1.20                | 1.50                      | 5.00                   | 1.00                      |
|              | 2                 | 2.40                | 3.00                      | 5.00                   | 1.00                      |
|              | 3                 | 3.60                | 4.50                      | 5.00                   | 1.00                      |
|              | 4                 | 4.80                | 6.00                      | 5.00                   | 0.83                      |
|              | 5                 | 6.00                | 7.50                      | 5.00                   | 0.67                      |
|              | 6                 | 7.20                | 9.00                      | 5.00                   | 0.56                      |
|              | 7                 | 8.40                | 10.50                     | 5.00                   | 0.48                      |
|              | 8                 | 9.60                | 12.00                     | 5.00                   | 0.42                      |
|              | 9                 | 10.80               | 13.50                     | 4.63                   | 0.37                      |
|              | 10                | 12.00               | 15.00                     | 4.17                   | 0.33                      |
|              | 11                | 13.20               | 16.50                     | 3.79                   | 0.30                      |
|              | 12                | 14.40               | 18.00                     | 3.47                   | 0.28                      |
|              | 13                | 15.60               | 19.50                     | 3.21                   | 0.26                      |
|              | 14                | 16.80               | 21.00                     | 2.98                   | 0.24                      |
|              | 15                | 18.00               | 22.50                     | 2.78                   | 0.22                      |
| Li-poly      | 1S                | 3.70                | 4.20                      | 5.00                   | 1.00                      |
|              | 2S                | 7.40                | 8.40                      | 5.00                   | 0.60                      |
|              | 3S                | 11.10               | 12.60                     | 4.50                   | 0.40                      |
|              | 4S                | 14.80               | 16.80                     | 3.38                   | 0.30                      |
|              | 5S                | 18.50               | 21.00                     | 2.70                   | 0.24                      |
|              | 6S                | 22.20               | 25.20                     | 2.25                   | 0.20                      |
| Li-Fe        | 1S                | 3.30                | 3.60                      | 5.00                   | 1.00                      |
|              | 2S                | 6.60                | 7.20                      | 5.00                   | 0.69                      |
|              | 3S                | 9.90                | 10.80                     | 5.00                   | 0.46                      |
|              | 4S                | 13.20               | 14.40                     | 3.79                   | 0.35                      |
|              | 5S                | 16.50               | 18.00                     | 3.03                   | 0.28                      |
|              | 6S                | 19.80               | 21.60                     | 2.53                   | 0.23                      |
| Li-ion       | 1S                | 3.60                | 4.10                      | 5.00                   | 1.00                      |
|              | 2S                | 7.20                | 8.20                      | 5.00                   | 0.61                      |
|              | 3S                | 10.80               | 12.30                     | 4.63                   | 0.41                      |
|              | 4S                | 14.40               | 16.40                     | 3.47                   | 0.30                      |
|              | 5S                | 18.00               | 20.50                     | 2.78                   | 0.24                      |
|              | 6S                | 21.60               | 24.60                     | 2.31                   | 0.20                      |
| Pb           |                   | 6.00                | 6.90                      | 5.00                   | 0.72                      |
|              |                   | 8.00                | 9.20                      | 5.00                   | 0.54                      |
|              |                   | 10.00               | 11.50                     | 5.00                   | 0.43                      |
|              |                   | 12.00               | 13.80                     | 4.17                   | 0.36                      |
|              |                   | 14.00               | 16.10                     | 3.57                   | 0.31                      |
|              |                   | 16.00               | 18.40                     | 3.13                   | 0.27                      |
|              |                   | 18.00               | 20.70                     | 2.78                   | 0.24                      |
|              | 20.00             | 23.00               | 2.50                      | 0.22                   |                           |

### 13. Limpieza y mantenimiento

Este aparato no necesita mantenimiento especial. Limpie el aparato de vez en cuando con un paño húmedo. No utilice químicos abrasivos, detergentes fuertes ni disolventes de limpieza para limpiar el aparato.

Un cable de alimentación dañado debe ser reemplazado por el distribuidor, un técnico u otra persona cualificada para evitar cualquier peligro.

### 14. Especificaciones

|  |  |
|--|--|
| tecnología .....   | NiCd, NiMH, Li-ion, LiPo, LiFe, plomo              |
| diseño   |  |
| baterías NiCd / NiMH .....   | 1 - 15 células                                     |
| baterías Li-ion / Li-Po / Li-Fe .....  | 1 - 6 células                                      |
| tensión de funcionamiento.....   | 11-18 V $\overline{=}$ (adaptador de red no incl.) |
| corriente de carga .....   | 0.1-5.0 A  |
| corriente de descarga .....  | 0.1-1.0 A  |
| potencia de carga máx.....   | 50 W   |
| potencia de descarga máx.....  | 5 W  |
| regulación de tensión de baterías LiPo.....  | 300 mA / célula                                    |
| tensión para baterías de plomo .....   | 2-20 V   |
| incluido .....   | conector de carga JST-XH                           |
| ..... (compatible con Zippy, HXT, Loong Max y cualquier pack con un adaptador JST) |  |
| dimensiones .....  | 133 x 87 x 33 mm                                   |
| peso .....   | 277 g  |

**Utilice este aparato sólo con los accesorios originales. Velleman NV no será responsable de daños ni lesiones causados por un uso (indebido) de este aparato. Para más información sobre este producto y la versión más reciente de este manual del usuario, visite nuestra página [www.velleman.eu](http://www.velleman.eu). Se pueden modificar las especificaciones y el contenido de este manual sin previo aviso.**

#### © DERECHOS DE AUTOR

**Velleman NV dispone de los derechos de autor para este manual del usuario. Todos los derechos mundiales reservados.** Está estrictamente prohibido reproducir, traducir, copiar, editar y guardar este manual del usuario o partes de ello sin el consentimiento previo por escrito del propietario del copyright.

# BEDIENUNGSANLEITUNG

## 1. Einführung

**An alle Einwohner der Europäischen Union**

### Wichtige Umweltinformationen über dieses Produkt



Dieses Symbol auf dem Produkt oder der Verpackung zeigt an, dass die Entsorgung dieses Produktes nach seinem Lebenszyklus der Umwelt Schaden zufügen kann. Entsorgen Sie die Einheit (oder verwendeten Batterien) nicht als unsortierter Hausmüll; die Einheit oder verwendeten Batterien müssen von einer spezialisierten Firma zwecks Recycling entsorgt werden. Diese Einheit muss an den ██████████ Händler oder ein örtliches Recycling-Unternehmen retourniert werden. Respektieren Sie die örtlichen Umweltvorschriften.

**Falls Zweifel bestehen, wenden Sie sich für Entsorgungsrichtlinien an Ihre örtliche Behörde.**

Vielen Dank, dass Sie sich für Velleman entschieden haben! Lesen Sie diese Bedienungsanleitung vor Inbetriebnahme sorgfältig durch. Überprüfen Sie, ob Transportschäden vorliegen. Sollte dies der Fall sein, verwenden Sie das Gerät nicht und wenden Sie sich an Ihren Händler.

## 2. Sicherheitshinweise

|  |   |
|--|---|
|  | Lassen Sie das Ladegerät niemals unbeaufsichtigt, wenn es an seine Stromversorgung angeschlossen ist. Tritt irgendeine Fehlfunktion auf, beenden Sie dann sofort den Vorgang.   |
|  | Schützen Sie das Gerät vor Staub und extremen Temperaturen.   |
|  | Installieren Sie das Ladegerät und den angeschlossenen Akku auf einer hitzebeständigen, nicht brennbaren und nicht leitfähigen Oberfläche. Stellen Sie diese niemals auf einem Autositz, Teppich oder einer ähnlichen Oberfläche. Halten Sie das Gerät und den Akku von brennbaren Materialien fern.  |
|  | Um einen Kurzschluss in den Ladekabeln zu vermeiden, verbinden Sie immer zuerst das Ladekabel mit dem Ladegerät und danach den Akku. Führen Sie die obigen Schritte in umgekehrter Reihenfolge aus, wenn Sie den Anschluss trennen.   |
|  | Schließen Sie nicht mehr als einen Akku an das Ladegerät an.  |
|  | Versuchen Sie niemals, die folgenden Akkutypen zu laden oder entladen: <ul style="list-style-type: none"> <li>• Akku, der aus verschiedenen Typen von Zellen besteht</li> <li>• Akku, der bereits vollständig aufgeladene oder nur ein wenig entladen ist</li> <li>• Akku, der eine andere Ladetechnik als beschrieben in dieser Anleitung benötigt.</li> <li>• Akku, der defekt oder beschädigt ist</li> <li>• Akku, der mit einem integrierten Ladestromkreis oder einer Schutzschaltung ausgestattet ist</li> <li>• Akku, der in ein Gerät installiert oder elektrisch mit anderen Komponenten verbunden ist</li> <li>• Akku, der nicht in dieser Bedienungsanleitung beschrieben ist</li> </ul> |

## 3. Warn- und Sicherheitshinweise

| NiCd/NiMH                                       |  |
|---|--|
| Spannungsniveau                                 | 1.2 V / Zelle                                |
| erlaubter Schnellladestrom                      | 1-2 A (hängt von der Kapazität der Zelle ab) |
| Spannungsgrenze für Abbruch des Entladevorgangs | 0.85 V / Zelle (NiCd), 1.0 V / Zelle (NiMH)  |
| Li-ion  |  |
| Spannungsniveau                                 | 3.6 V / Zelle                                |
| max. Ladespannung                               | 4.1 V / Zelle                                |
| erlaubter Schnellladestrom                      | ≤ 1 A  |
| Mindestspannung für Abbruch des Entladevorgangs | ≥ 2.5 V / Zelle                              |

| <b>LiPo</b>                                     |                  |
|---|------------------|
| Spannungsniveau                                 | 3.7 V / Zelle    |
| max. Ladespannung                               | 4.2 V / Zelle    |
| erlaubter Schnellladestrom                      | ≤ 1 A            |
| Spannungsgrenze für Abbruch des Entladevorgangs | ≥ 3.0 V / Zelle  |
| <b>LiFe</b>                                     |                  |
| Spannungsniveau                                 | 3.3 V / Zelle    |
| max. Ladespannung                               | 3.6 V / Zelle    |
| erlaubter Schnellladestrom                      | ≤ 4-1.0 A        |
| Spannungsgrenze für Abbruch des Entladevorgangs | ≥ 2.0 V / Zelle  |
| <b>Pb (Bleisäure)</b>                           |                  |
| Spannungsniveau                                 | 2.0 V / Zelle    |
| max. Ladespannung                               | 2.46 V / Zelle   |
| erlaubter Schnellladestrom                      | ≤ 0.4 A          |
| Spannungsgrenze für Abbruch des Entladevorgangs | ≥ 1.75 V / Zelle |

## 4. Allgemeine Richtlinien

Siehe **Velleman® Service- und Qualitätsgarantie** am Ende dieser Bedienungsanleitung.



Vermeiden Sie Erschütterungen. Wenden Sie bei der Bedienung keine Gewalt an.

- Nehmen Sie das Gerät erst in Betrieb, nachdem Sie sich mit seinen Funktionen vertraut gemacht haben.
- Eigenmächtige Veränderungen sind aus Sicherheitsgründen verboten. Bei Schäden verursacht durch eigenmächtige Änderungen erlischt der Garantieanspruch.
- Verwenden Sie das Gerät nur für Anwendungen beschrieben in dieser Bedienungsanleitung. Jede andere Verwendung ist mit Gefahren wie Kurzschluss, Brandwunden, elektrischem Schlag, usw. verbunden. Dies kann zu Schäden am Produkt führen und erlischt der Garantieanspruch.
- Bei Schäden, die durch Nichtbeachtung der Bedienungsanleitung verursacht werden, erlischt der Garantieanspruch. Für daraus resultierende Folgeschäden übernimmt der Hersteller keine Haftung.
- **Beachten** Sie die technische Daten.
- Weder Velleman nv noch die Händler können für außergewöhnliche, zufällige oder indirekte Schäden irgendwelcher Art (finanziell, physisch, usw.), die durch Besitz, Gebrauch oder Defekt verursacht werden, haftbar gemacht werden.
- Durch ständige Verbesserungen, kann das Produkt von den Abbildungen abweichen.
- Die Abbildungen dienen nur zur Illustration.
- Das Gerät bei Temperaturschwankungen nicht sofort einschalten. Schützen Sie das Gerät vor Beschädigung, indem Sie es ausgeschaltet lassen bis es die Zimmertemperatur erreicht hat.
- Bewahren Sie diese Bedienungsanleitung für künftige Einsichtnahme auf.

## 5. Eigenschaften

Das VLE8 ist ein intelligentes Ladegerät, das sich für das Laden, Ausgleichen und Entladen von Akkus eignet. Für das Ausgleichen der einzelnen Zellen verfügt das mikroprozessorgesteuerte Ladegerät über einen Spannungsregler. Der Ladestrom ist stufenlos von 0.1 bis 5.0 A wählbar und das Gerät eignet sich zum Laden von Akkus mit 6 Zellen (in Serienschaltung). Das Ladegerät ist mit einem Eingangsspannungsschutz und einen Lagerungsmodus (STORAGE) ausgestattet Das Ladegerät hat ein Spannungsbereich von 11 bis 18 V.

- mikroprozessorgesteuert
- Delta-Peak-Empfindlichkeit
- individuelles Regeln von einzelnen Zellen
- unterstützt: Li-ion, Li-poly, Li-Fe, NiCd, NiMH
- großer Bereich von Ladeströmen
- Lagerungsmodus (STORAGE)
- mit Sicherheitstimer

- Überwachung der Eingangsspannung (zum Schutz der Autobatterie)
- Datenspeicher (max. 5 Batterien)
- Betriebsmodi: "Break-in" (Formatieren von neuen Akkus) und "Cycle" (Zyklus)

### Zusatzfunktionen

**Optimierte Betriebssoftware:** Für das Laden und Entladen von Akkus verfügt das Ladegerät über eine AUTO-Funktion, die den Versorgungsstrom automatisch regelt. Dank dieser Funktion kann vor allem für Lithiumakkus ein Überladen verhindert werden, das ansonsten zu einer Explosion des Akkus führen könnte. Im Fall einer Fehlfunktion, wird der Stromkreis unterbrochen und ein Alarm ausgelöst. Alle Einstellungen können vom Benutzer angepasst werden.

**Integrierter Spannungsregler für Lithiumakkus:** Das Ladegerät regelt die Spannung jeder einzelnen Zelle. Sie brauchen deshalb kein zusätzliches Gerät für die Zellspannungsregelung.

**Das Regeln von einzelnen Zellen beim Entladen:** Beim Entladen kann das Ladegerät die Spannung der einzelnen Zellen überwachen und regeln. Schwankt die Spannung einer der Zellen ungewöhnlich stark, so wird eine Fehlermeldung angezeigt und der Vorgang automatisch abgebrochen.

**Eignet sich für verschiedene Arten von Lithiumakkus:** Das Ladegerät eignet sich für verschiedene Typen von Lithiumakkus (z.B. Li-ion, LiPo und LiFe).

**Schnelllade- (FAST) und Lagerungsmodus (STORAGE) für Lithiumakkus:** Sie können Lithiumakkus für bestimmte Zwecke laden: Der Schnelllademodus (FAST) verkürzt die Ladezeit, der Lagerungsmodus (STORAGE) regelt die Zielspannung des Akkus für eine längere Lagerung.

**PC-basierte Analyse über USB:** Das Ladegerät verfügt über ein PC-basiertes Programm, um die Eigenschaften des Akkus zu analysieren. Die Spannung-, Strom-, Kapazitäts- und Temperaturkurven und die Spannungen der einzelnen Zellen im Lithiumakku-Satz werden angezeigt. Der USB-Adapter ist separat erhältlich.

**Maximale Sicherheit:** Der automatische Lade-Abbruch beruht auf dem Prinzip der Delta-Peak-Spannungserkennung: Überschreitet die Batteriespannung den Höchstwert, dann wird der Vorgang automatisch abgebrochen.

**Strombegrenzung beim automatischen Ladevorgang:** Beim Laden von NiCd- und NiMH-Akkus kann der maximale Ladestrom festgelegt werden. Dies ist vor allem beim Laden von Akkus geringer Impedanz und Kapazität im automatischen Lademodus nützlich.

**Kapazitätsbegrenzung:** Die Ladekapazität ergibt sich durch das Multiplizieren von Ladestrom und Zeit. Wenn die Ladekapazität den von Ihnen festgelegten Höchstwert überschreitet, dann wird der Vorgang automatisch abgebrochen.

**Temperaturgrenzwert:** Die Temperatur des Akkus steigt aufgrund der chemischen Reaktionen im Innern an. Erreicht die Temperatur den von Ihnen festgelegten Höchstwert, dann wird der Vorgang automatisch abgebrochen. Diese Funktion ist nur verfügbar, wenn Sie einen Temperatursensor (optionell) anschließen.

**Begrenzung der Lade- und Entladezeit:** Um mögliche Beschädigungen vorzubeugen, kann die maximale Lade- und Entladezeit begrenzt werden.

**Daten speichern und laden:** Das Ladegerät kann die Daten von max. 5 Akkus speichern. Die gespeicherten Daten können zu jeder Zeit abgerufen werden.

**Zyklisches Laden und Entladen:** Zum Erneuern und Ausgleichen von Akkus können 1 bis 5 Lade-Entladezyklen oder Entlade-Ladezyklen durchgeführt werden.

## 6. Beschreibung

Siehe Abbildungen, Seite 2 dieser Bedienungsanleitung.

|          |                           |
|----------|---------------------------|
| <b>1</b> | LCD-Display               |
| <b>2</b> | JST XH-Anschluss          |
| <b>3</b> | Ausgang für das Ladekabel |
| <b>4</b> | Taste START/ENTER         |

|          |                                    |
|----------|------------------------------------|
| <b>5</b> | Taste DECREASE/INCREASE            |
| <b>6</b> | Taste battery TYPE/STOP            |
| <b>7</b> | Anschluss für den Temperaturfühler |

## 7. Menü – Programm-Diagramm

Siehe Abbildungen auf Seite 3 dieser Bedienungsanleitung.



## 8. Anschlussdiagramm

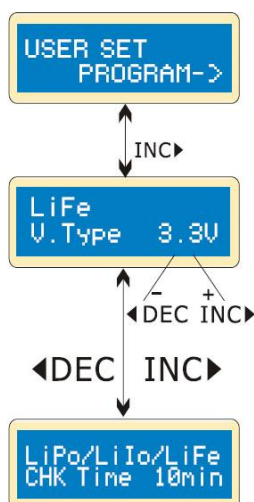
Dieses Diagramm zeigt den korrekten Anschluss an das Ladegerät an wenn Sie den Balance-Lademodus benutzen. Schließen Sie die Hauptkabelanschlüsse der Batterie zusammen mit dem Balance-Anschlussstecker an, bevor Sie die Batterie aufladen. Tun Sie das nicht, dann wird das Ladegerät beschädigt.



## 9. Anwendung

### 9.1 Konfiguration

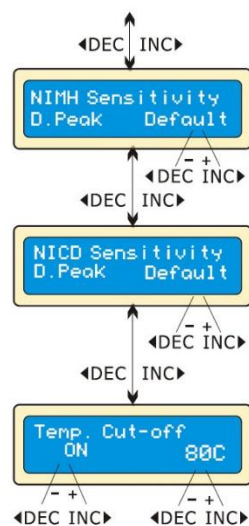
Standardmäßig wird das Ladegerät beim erstmaligen Anschließen an eine 11-18 V Last mit dem in den Benutzereinstellungen festgelegten Standardwert betrieben. Um einen Parameterwert zu ändern, drücken Sie START/ENTER und ändern Sie ihn mit der Taste INC/DEC. Drücken Sie START/ENTER erneut einmal, um den Wert zu speichern.



Startbildschirm

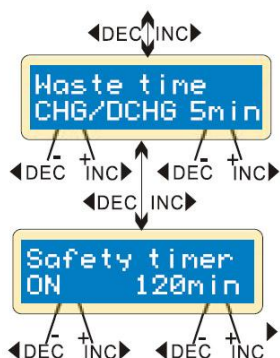
Dieser Bildschirm zeigt die Nennspannung für Lithiumakkus an. Es gibt 3 Typen von Lithiumakkus: Li-Fe (3.3 V), Li-Io (3.6 V) und Li-poly (3.7 V). Daher ist es sehr wichtig, Ihren Akku sorgfältig zu prüfen und ordnungsgemäß einzurichten. Wird ein falscher Wert eingegeben, kann der Akku während des Ladevorgangs beschädigt werden.

Das Ladegerät erkennt automatisch den Batterietyp. Ein tiefentladener Akku kann aber falsch erkannt werden. Um Fehler und Beschädigungen zu vermeiden, legen Sie eine Zeitspanne fest, innerhalb der das Ladegerät die Batterie erkennen soll. Normalerweise reichen 10 Min. aus aber für Akkus kleinerer Kapazität können Sie die Zeitspanne verlängern. Im Zweifelsfall benutzen Sie den Standardwert.



Dieser Bildschirm zeigt die die Auslösespannung für das automatische Abschalten des Ladevorgangs für NiMH- und NiCd-Akkus an. Der effektive Wert liegt zwischen 5 und 20 mV pro Zelle. Stellen Sie die Auslösespannung höher ein, dann besteht die Gefahr einer Überladung. Wenn Sie die Auslösespannung niedriger einstellen, besteht die Gefahr eines frühzeitigen Abbruchs. Mehr Informationen finden Sie in den technischen Daten der Batterie (NiCd standardmäßig: 12 mV, NiMH standardmäßig: 7 mV).

Sie können optional auch einen Temperaturfühler verwenden, den Sie dann an die Oberfläche des Akkus halten. Ist diese Option eingeschaltet, dann können Sie die max. Temperatur, bei der das Gerät die Ladung unterbrechen soll, einstellen. Erreicht ein Akku beim Ladevorgang diese Temperatur, so wird der Vorgang abgebrochen, um den Akku zu schützen.

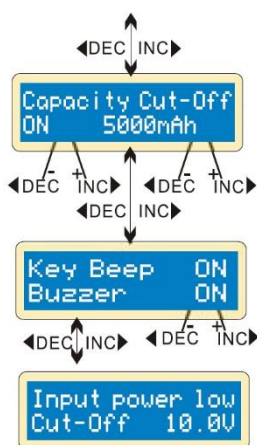


Der Akku wird nach jedem Lade-/Entladevorgang warm. Das Programm wird den Akku nach einem Lade-/Entladevorgang und vor dem nächsten Zyklus eine bestimmte Zeit lang abkühlen lassen. Sie können die Dauer zwischen 1 und 60 Minuten einstellen.

Der integrierte Sicherheitstimer startet automatisch wenn Sie einen Ladevorgang starten. Wird ein Fehler erkannt oder kann die Abbruchschaltung nicht erkennen, ob der Akku voll geladen ist oder nicht, dann verhindert dieses Programm ein Überladen.

### Einstellungen des Sicherheitstimers

| Kapazität in mAh | Strom | Sicherheitstimer                           |
|------------------|-------|--|
| 2000             | 2.0 A | $(2000/2.0 = 1000)/11.9 = 84 \text{ min.}$ |
| 3300             | 3.0 A | $(3300/3.0 = 1100)/11.9 = 92 \text{ min.}$ |
| 1000             | 1.2 A | $(1000/1.2 = 833)/11.9 = 70 \text{ min.}$  |



Dieses Programm sorgt für einen maximalen Schutz. Wenn die Delta-Peak-Spannung nicht erkannt werden kann oder der Sicherheitstimer ausgelöst wird, unterbricht diese Funktion den Ladevorgang automatisch bei dem von Ihnen festgelegten Kapazitätswert.

Ein akustisches Signal ertönt jedes Mal wenn Sie die Tasten drücken oder einen anderen Modus auswählen. Der Ton kann ein- oder ausgeschaltet werden.

Diese Funktion überwacht die Eingangsspannung des Akkus. Sinkt die Spannung unter den von Ihnen eingestellten Wert, so wird der Vorgang abgebrochen, um die Batterie vor Beschädigungen zu schützen.

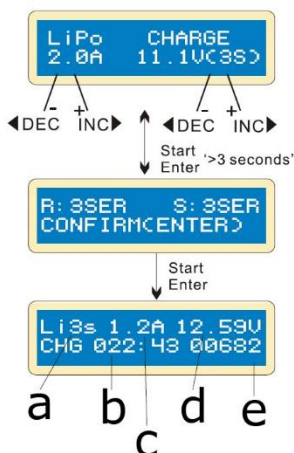
## 9.2 Die Programme für Lithiumakkus (Li-ion, LiPo, LiFe)

Das Ladegerät eignet sich nur zum Laden von Lithiumakkus mit einer Nennspannung von 3,3, 3,6 oder 3,7 V. Diese Akkus haben unterschiedliche Ladetechniken. Es gibt zwei Ladetechniken: Konstantspannungs- und Konstantstrom-Modus. Der Ladestrom variiert je nach Akkukapazität und Leistung. Die Zielspannung ist sehr wichtig und sollte genau mit der Spannung des Akkus übereinstimmen. Für LiPo-Akkus beträgt diese 4,2 V, für Li-ion-Akkus 4,1 V und für LiFe-Akkus 3,6 V.

Um einen Parameterwert zu ändern, drücken Sie START/ENTER und ändern Sie ihn mit der Taste INC/DEC. Drücken Sie START/ENTER erneut einmal, um den Wert zu speichern.

## Lithiumakkus laden

In diesem Modus können Li-ion-, LiPo- oder LiFe-Akkus ohne ein individuelles Regeln der einzelnen Zellen geladen werden.



Dieser Bildschirm zeigt den von Ihnen eingestellten Akkutyp (links) und den Ladestrom (rechts) an. Halten Sie START/ENTER min. 3 Sekunden gedrückt, um den Ladevorgang zu starten.

Dieser Bildschirm zeigt die von Ihnen festgelegte Anzahl der Zellen an. R zeigt die Anzahl Zellen an, die das Ladegerät erkennt. S zeigt die Anzahl Zellen an, die Sie in der vorherigen Anzeige festgelegt haben. Sind die Zahlen identisch, dann können Sie den Ladevorgang starten, indem Sie START/ENTER drücken. Ist dies nicht der Fall, drücken Sie dann auf TYPE/STOP, um in die vorherige Anzeige zu wechseln und prüfen Sie die Anzahl der Zellen erneut.

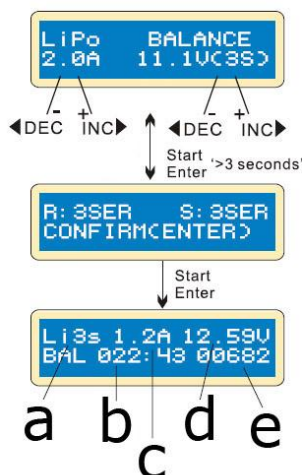
Dieser Bildschirm zeigt den aktuellen Ladestatus an. Drücken Sie TYPE/STOP, um den Ladevorgang abzubrechen.

- Anzahl der Zellen
- Ladezeit
- Ladestrom
- Akkuspannung
- geladene Kapazität

## Lithiumakkus im Ausgleichsmodus laden

Der Ausgleichsmodus eignet sich zum Ausgleichen der Spannungen in den einzelnen Zellen eines zu ladenden Lithiumakkus. In diesem Modus müssen Sie das Ausgleichskabel mit dem geeigneten Port verbinden. Schließen Sie das Stromkabel an den geeigneten Ausgang an.

Der Ladevorgang in diesem Modus unterscheidet sich von den herkömmlichen Lademethoden weil der interne Prozessor die Spannung der einzelnen Zellen überwacht und den Ladestrom, der jeder Zelle zugeführt wird, um die Spannung zu normalisieren, regelt.



Dieser Bildschirm zeigt den von Ihnen eingestellten Akkutyp (links) und den Ladestrom (rechts) an. Halten Sie START/ENTER min. 3 Sekunden gedrückt, um den Ladevorgang zu starten.

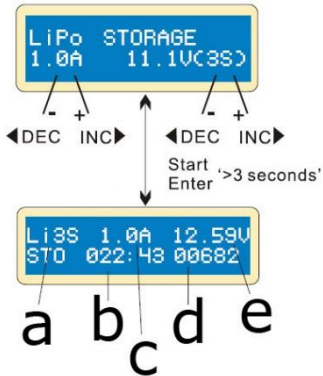
Dieser Bildschirm zeigt die von Ihnen festgelegte Anzahl der Zellen an. R zeigt die Anzahl Zellen an, die das Ladegerät erkennt. S zeigt die Anzahl Zellen an, die Sie in der vorherigen Anzeige festgelegt haben. Sind die Zahlen identisch, dann können Sie den Ladevorgang starten, indem Sie START/ENTER drücken. Ist dies nicht der Fall, drücken Sie dann auf TYPE/STOP, um in die vorherige Anzeige zu wechseln und prüfen Sie die Anzahl der Zellen erneut.

Dieser Bildschirm zeigt den aktuellen Ladestatus an. Drücken Sie TYPE/STOP, um den Ladevorgang abzubrechen.

- Anzahl der Zellen
- Ladezeit
- Ladestrom
- Akkuspannung
- geladene Kapazität

### Lithiumakkus im Schnelllademodus (FAST) laden

Je weiter der Ladevorgang fortgeschritten ist, desto geringer ist der Ladestrom. Um den Ladevorgang schneller zu beenden, überspringt dieses Programm einige Schritte vom CV-Modus. Der Ladestrom reduziert sich gegen Ende des Ladevorgangs auf 1/5 des Ausgangswertes. Beim normalen Laden verringert sich der Ladestrom im CV-Betrieb auf 1/10. Die Ladekapazität ist dann etwas geringer, aber die Ladezeit wird verkürzt.



Hier können Sie den Ladestrom und die Spannung festlegen. Das Laden/Entladen bringt die Batterie zum Spannungspegel des Lagerungsmodus (STORAGE).

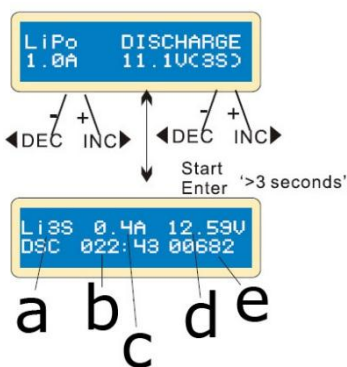
Dieser Bildschirm zeigt den aktuellen Ladestatus an. Drücken Sie TYPE/STOP, um den Ladevorgang abzubrechen.

- Anzahl der Zellen
- verstrichene Zeit
- Lade oder Entladestrom
- gelieferte Kapazität
- aktuelle Akkuspannung

### Lithiumakkus im Lagerungsmodus laden (STORAGE)

Mit dieser Funktion laden oder entladen Sie einen Akku, den Sie vorläufig nicht mehr gebrauchen. Dieses Programm eignet sich nur für die folgenden Akkus: LiPo-Akkus von 3,85 V, Li-ion-Akkus von 3.75 V und Li-Fe-Akkus von 3.3 V. Überschreitet die Ausgangsspannung die Lagerungsspannung, dann startet das Programme den Entladevorgang.

### Lithiumakkus entladen



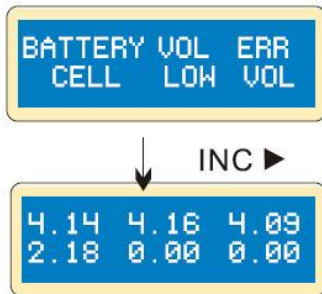
Dieser Bildschirm zeigt den aktuellen Entladestatus an. Drücken Sie TYPE/STOP, um den Entladevorgang abzubrechen.

Stellen Sie sicher, dass der Entladestrom links im Display 1.0 A nicht überschreitet. Der Wert rechts im Display sollte nicht unter das vom Hersteller empfohlene Niveau sinken, um eine Tiefentladung zu vermeiden. Halten Sie START/ENTER min. 3 Sekunden gedrückt, um den Entladevorgang zu starten

- Anzahl der Zellen
- verstrichene Zeit
- Entladestrom
- Akkuspannung
- entladene Kapazität

### Spannungsausgleich und Spannungsüberwachung während des Entladevorgangs

Im Lagerungsmodus und beim Entladen überwacht das Ladegerät die Spannung der einzelnen Zellen. Schwankt die Spannung einer der Zellen ungewöhnlich stark, so wird eine Fehlermeldung angezeigt und der Vorgang automatisch abgebrochen. Drücken Sie auf INC, um die fehlerhafte Zelle anzuzeigen.



Das Ladegerät zeigt an, dass die Spannung in einer der Zellen zu gering ist.

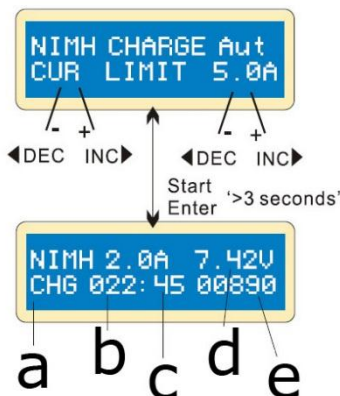
Hier ist die vierte Zelle beschädigt. Der Spannungswert ist 0 wenn die Verbindung unterbrochen wurde.

### 9.3 Das Programm für NiCd- und NiMH-Akkus

#### NiCd- und NiMH-Akkus laden

Dieses Programm wird den Akku mithilfe des von Ihnen festgelegten Stromwerts laden. Achten Sie darauf, dass Sie zuerst die Obergrenze für den Ladestrom festlegen, um einen zu hohen Ladestrom zu vermeiden, der den Akku beschädigen kann. Einige Akkus mit geringer Impedanz und Kapazität können im automatischen Lademodus zu einem höheren Ladestrom führen.

Im manuellen Modus wird der Akku mit dem von Ihnen festgelegten Ladestrom geladen. Drücken Sie INC/DEC, um zwischen den Auto-Modus und dem manuellen Modus zu wechseln.

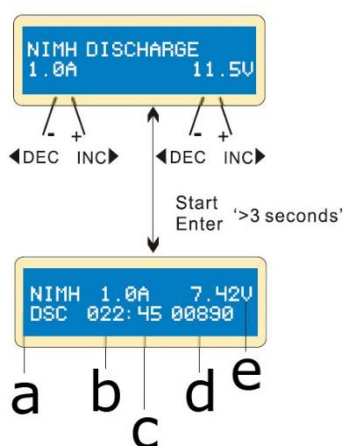


Dieses Programm eignet sich zum Laden von NiCd- und NiMH-Akkus in R/C-Anwendungen. Drücken Sie START/STOP, um das Programm auszuwählen und ändern Sie den Wert mit INC/DEC. Drücken Sie START/ENTER wieder, um die festgelegten Werte zu speichern.

Dieser Bildschirm zeigt den aktuellen Entladestatus an. Drücken Sie TYPE/STOP, um den Ladevorgang abzubrechen.

- a. Batterietyp
- b. verstrichene Zeit
- c. Ladestrom
- d. Akkuspannung
- e. geladene Kapazität

## NiCd- und NiMH-Akkus entladen

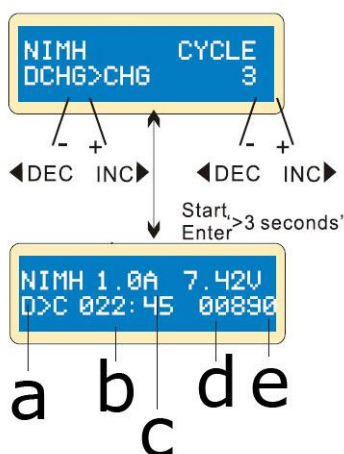


Das Display zeigt den Ladestrom (links) und die Zielspannung (rechts) an. Der Entladestrom liegt zwischen 0.1 und 1.0 A. Die Zielspannung liegt zwischen 0.1 und 25.0 V. Drücken Sie START/ENTER min. 3 Sekunden, um den Entladevorgang zu starten.

Das Display zeigt den aktuellen Entladestatus an. Drücken Sie START/ENTER, um den Ladestrom zu ändern. Drücken Sie erneut, um den Wert zu speichern. Drücken Sie TYPE/STOP, um den Entladevorgang abzubrechen.

- Batterietyp
- verstrichene Zeit
- Entladestrom
- Akkuspannung
- entladene Kapazität

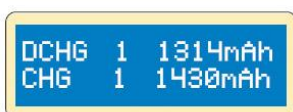
## Lade-Entladezyklus und Entlade- Ladezyklus für NiMH- und NiCd-Akkus



Legen Sie die Sequenz (links) und die Anzahl (rechts) der Zyklen fest. Es können zwischen 1 und 5 Zyklen eingestellt werden.

Drücken Sie TYPE/STOP, um den Vorgang abzubrechen. Drücken Sie START/ENTER, um den Ladestrom zu ändern.

- Batterietyp
- verstrichene Zeit
- Lade- oder Entladestrom
- Akkuspannung
- Lade- oder Entladekapazität



Am Ende des Vorgangs werden die geladenen oder entladenen Kapazitäten des Akkus angezeigt. Drücken Sie INC/DEC, um das Ergebnis anzuzeigen.

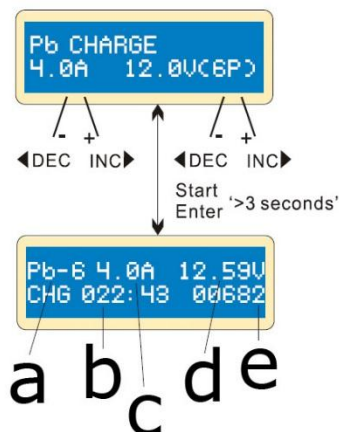


## 9.4 Das Programm für Bleiakkus (Blei-Schwefelsäure)

### Bleiakkus laden

Dieses Programm eignet sich nur zum Laden von Bleiakkus mit einer Nennspannung von 2 bis 20 V. Ein Bleiakku unterscheidet sich völlig von einem NiCd- oder NiMH-Akku. Verglichen mit ihrer Kapazität liefern sie nur einen relativ geringen Strom. Für das Laden dieser Akkus gelten strenge Beschränkungen. Der optimale Ladestrom beträgt somit 1/10 der Kapazität. Bleiakkus eignen sich nicht zum Schnellladen.

Durch die chemischen Eigenschaften der Bleiakkus ist es manchmal schwierig, den Grenzwert zu erkennen. Verwenden Sie die Funktion für Abbruch der Kapazität, um den Akku zu schützen. Drücken Sie START/ENTER, um die Funktion einzuschalten, ändern Sie die Parameter mit INC/DEC, und bestätigen Sie mit START/ENTER.

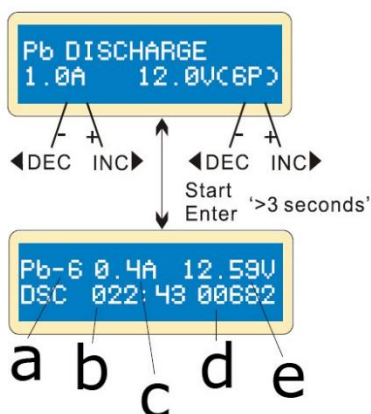


Legen Sie den Ladestrom (links) und die Nennspannung (rechts) fest. Der Strom liegt zwischen 0.1-5.0 A. Die Spannung muss der Spannung des zu ladenden Akkus entsprechen. Drücken Sie START/ENTER min. 3 Sekunden, um das Ladeprogramm zu starten.

Dieser Bildschirm zeigt den aktuellen Ladestatus an. Drücken Sie START/ENTER, um den Ladestrom zu ändern. Drücken Sie erneut, um den eingestellten Wert zu speichern. Drücken Sie TYPE/STOP min. 3 Sekunden, um den Vorgang abzubrechen.

- a. Batterietyp
- b. verstrichene Zeit
- c. Ladestrom
- d. Akkuspannung
- e. geladene Kapazität

### Bleiakkus entladen



Legen Sie den Ladestrom (links) und die Nennspannung (rechts) fest. Der Strom liegt zwischen 0.1-1.0 A. Die Spannung muss der Spannung des zu entladenden Akkus entsprechen. Drücken Sie START/ENTER min. 3 Sekunden, um den Entladevorgang zu starten.

Dieser Bildschirm zeigt den aktuellen Entladestatus an. Drücken Sie START/ENTER, um den Entladestrom zu ändern. Drücken Sie erneut, um den eingestellten Wert zu speichern. Drücken Sie TYPE/STOP min. 3 Sekunden, um den Entladevorgang abzubrechen.

- a. Batterietyp
- b. verstrichene Zeit
- c. Entladestrom
- d. Akkuspannung
- e. entladene Kapazität

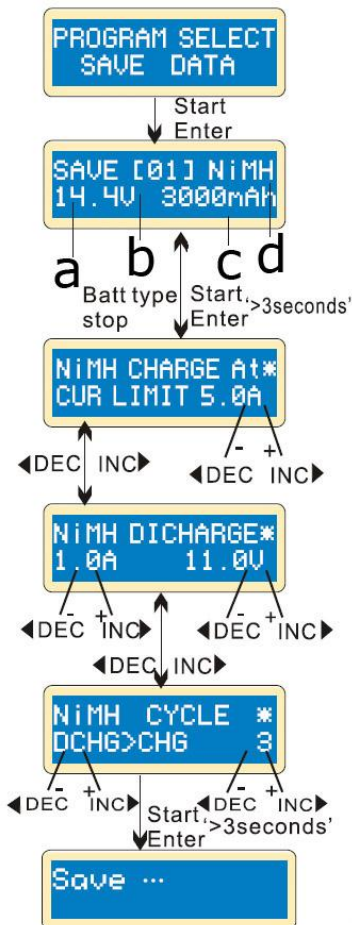


## 9.5 Programm zum Speichern von Daten

Das Ladegerät verfügt über ein Programm zum Speichern und Laden von Daten. Es können die Daten von bis zu fünf Akkus gespeichert werden. Die Daten können für den Lade- oder Entladevorgang aufgerufen werden, ohne dass das Programm neu eingestellt werden muss.

### Ein Programm speichern

Drücken Sie START/ENTER, um den Wert auszuwählen und stellen Sie ihn mit INC/DEC ein.



Das Einstellen der Parameterwerte hat keinen Einfluss auf den Lade- oder Entladevorgang. La pantalla muestra sólo las especificaciones de la batería. Das Beispiel zeigt einen NiMH-Akku mit 12 Zellen und einer Kapazität von 3000 mAh.

Stellen Sie den Ladestrom für den manuellen Lademodus oder den Stromgrenzwert für den automatischen Lademodus ein. Drücken Sie gleichzeitig INC und DEC, um in den Lademodus zu wechseln.

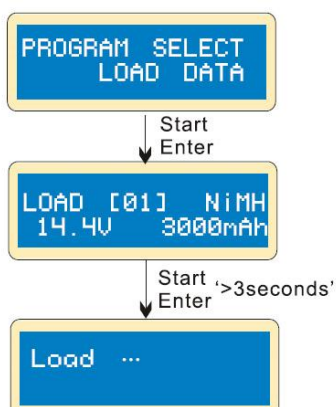
Legen Sie den Entladestrom und die Zielspannung fest.

Legen Sie die Lade- oder Entladesequenz und die Anzahl der Zyklen fest.

Die Daten werden gespeichert.

- a. Spannung
- b. Datennummer
- c. Kapazität
- d. Batterietyp

### Ein Programm laden

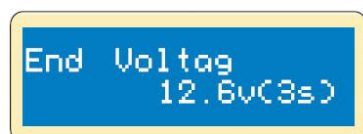


Wählen Sie die Nummer des Datensatzes aus, den Sie aufrufen möchten.

Die Daten werden geladen.

## 10. Informationen aufrufen

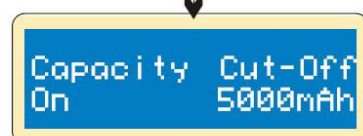
Während des Lade- oder Entladevorgangs können verschiedene Informationen aufgerufen werden. Drücken Sie DEC, um die Benutzereinstellungen anzuzeigen. Ist der Akku über ein separates Kabel verbunden, drücken Sie dann INC, um die Spannung der einzelnen Zellen zu überwachen.



End Voltage  
12.6v(3s)

Das Display zeigt die Zielspannung am Ende des Vorgangs an.

◀DEC ↓



Capacity Cut-Off  
On 5000mAh

Das Display zeigt den eingestellten Kapazitätswert an und, dass die Funktion für Abbruch der Kapazität eingeschaltet ist.

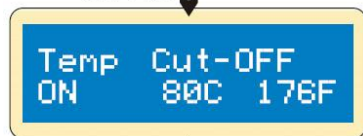
◀DEC ↓



Safety Timer  
ON 200min

Das Display zeigt die Dauer in Minuten an und, dass der Sicherheitstimer eingeschaltet ist.

◀DEC ↓



Temp Cut-OFF  
ON 80C 176F

Das Display zeigt an, dass die Funktion für Abbruch der Temperatur eingeschaltet ist.

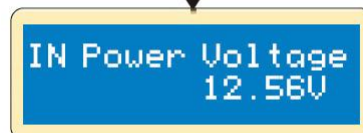
◀DEC ↓



Ext. Temp 26C

Das Display zeigt die Außentemperatur an (nur wenn Sie einen Temperaturfühler verwenden).

◀DEC ↓



IN Power Voltage  
12.56V

Das Display zeigt die aktuelle Eingangsspannung.

◀DEC ↓



4.14 4.16 4.09  
0.00 0.00 0.00

Ist der Akku über ein Kabel angeschlossen, dann wird die Spannung jeder einzelnen Zelle angezeigt.

## 11. Warn- und Fehlermeldungen

Tritt eine Funktionsstörung auf, dann wird die Ursache des Fehlers im Display angezeigt und ertönt ein akustisches Signal.

|                                  |  |
|----------------------------------|--|
| REVERSE POLARITY                 | Verpolung.   |
| CONNECTION BREAK                 | Die Verbindung ist unterbrochen.   |
| SHORT ERR                        | Kurzschluss im Ausgang.  |
| INPUT VOL ERR                    | Falsche Eingangsspannung.  |
| VOL SELECT ERR                   | Die Spannung wurde falsch ausgewählt.  |
| BREAK DOWN                       | Das Ladegerät ist defekt. Kontaktieren Sie Ihren Händler.  |
| BATTERY CHECK<br>LOW VOLTAGE     | Die Akkuspannung ist niedriger als der eingestellte Spannungswert. Überprüfen Sie die Anzahl der Zellen. |
| BATTERY CHECK<br>HIGH VOLTAGE    | Die Akkuspannung ist höher als der eingestellte Spannungswert. Überprüfen Sie die Anzahl der Zellen.     |
| BATTERY VOLTAGE<br>CELL LOW VOL  | Die Spannung in einer der Zellen zu gering. Überprüfen Sie die Spannung der einzelnen Zellen.            |
| BATTERY VOLTAGE<br>CELL HIGH VOL | Die Spannung in einer der Zellen zu hoch. Überprüfen Sie die Spannung der einzelnen Zellen.              |
| BATTERY VOL ERR<br>CELL CONNECT  | Falsche Verbindung. Überprüfen Sie den Anschluss und das Kabel.  |
| CONTROL FAILURE                  | Der Prozessor kann den Versorgungsstrom nicht mehr überwachen. Kontaktieren Sie Ihren Händler.           |

## 12. Max. Lade- und Entladeleistung

Die max. Leistung dieses Ladegerätes beträgt: (1) Laden: 50 W, (2) Entladen: 5 W.

Für einen Akku mit einer Spannung höher als 10 V, wird der Ladestrom automatisch begrenzt. Der aktuelle Versorgungsstrom wird angezeigt wie folgt:

| Batterietyp | Anzahl der Zellen | Nennspannung (V) | max. Ladespannung (V) | Ladestrom (A) | Entladestrom (A) |
|-------------|-------------------|------------------|-----------------------|---------------|------------------|
| NiCd/NiMH   | 1                 | 1.20             | 1.50                  | 5.00          | 1.00             |
|             | 2                 | 2.40             | 3.00                  | 5.00          | 1.00             |
|             | 3                 | 3.60             | 4.50                  | 5.00          | 1.00             |
|             | 4                 | 4.80             | 6.00                  | 5.00          | 0.83             |
|             | 5                 | 6.00             | 7.50                  | 5.00          | 0.67             |
|             | 6                 | 7.20             | 9.00                  | 5.00          | 0.56             |
|             | 7                 | 8.40             | 10.50                 | 5.00          | 0.48             |
|             | 8                 | 9.60             | 12.00                 | 5.00          | 0.42             |
|             | 9                 | 10.80            | 13.50                 | 4.63          | 0.37             |
|             | 10                | 12.00            | 15.00                 | 4.17          | 0.33             |
|             | 11                | 13.20            | 16.50                 | 3.79          | 0.30             |
|             | 12                | 14.40            | 18.00                 | 3.47          | 0.28             |
|             | 13                | 15.60            | 19.50                 | 3.21          | 0.26             |
|             | 14                | 16.80            | 21.00                 | 2.98          | 0.24             |
|             | 15                | 18.00            | 22.50                 | 2.78          | 0.22             |
| Li-poly     | 1S                | 3.70             | 4.20                  | 5.00          | 1.00             |
|             | 2S                | 7.40             | 8.40                  | 5.00          | 0.60             |
|             | 3S                | 11.10            | 12.60                 | 4.50          | 0.40             |
|             | 4S                | 14.80            | 16.80                 | 3.38          | 0.30             |
|             | 5S                | 18.50            | 21.00                 | 2.70          | 0.24             |
|             | 6S                | 22.20            | 25.20                 | 2.25          | 0.20             |
| Li-Fe       | 1S                | 3.30             | 3.60                  | 5.00          | 1.00             |
|             | 2S                | 6.60             | 7.20                  | 5.00          | 0.69             |
|             | 3S                | 9.90             | 10.80                 | 5.00          | 0.46             |
|             | 4S                | 13.20            | 14.40                 | 3.79          | 0.35             |
|             | 5S                | 16.50            | 18.00                 | 3.03          | 0.28             |
|             | 6S                | 19.80            | 21.60                 | 2.53          | 0.23             |
| Li-ion      | 1S                | 3.60             | 4.10                  | 5.00          | 1.00             |
|             | 2S                | 7.20             | 8.20                  | 5.00          | 0.61             |
|             | 3S                | 10.80            | 12.30                 | 4.63          | 0.41             |
|             | 4S                | 14.40            | 16.40                 | 3.47          | 0.30             |
|             | 5S                | 18.00            | 20.50                 | 2.78          | 0.24             |
|             | 6S                | 21.60            | 24.60                 | 2.31          | 0.20             |
| Pb          |                   | 6.00             | 6.90                  | 5.00          | 0.72             |
|             |                   | 8.00             | 9.20                  | 5.00          | 0.54             |
|             |                   | 10.00            | 11.50                 | 5.00          | 0.43             |
|             |                   | 12.00            | 13.80                 | 4.17          | 0.36             |
|             |                   | 14.00            | 16.10                 | 3.57          | 0.31             |
|             |                   | 16.00            | 18.40                 | 3.13          | 0.27             |
|             |                   | 18.00            | 20.70                 | 2.78          | 0.24             |
|             | 20.00             | 23.00            | 2.50                  | 0.22          |                  |

### 13. Reinigung und Wartung

Das Gerät erfordert keine besondere Wartung. Reinigen Sie das Gerät ab und zu mit einem feuchten Tuch. Verwenden Sie keine aggressiven Chemikalien, Lösungsmittel oder starke Reinigungsmittel.

Ist der Stromkabel beschädigt, dann soll der Hersteller, eine Fachkraft oder eine andere geeignete Person das Kabel ersetzen.

### 14. Technische Daten

|   |  |
|---|--|
| Technologie .....   | NiCd-, NiMH-, Li-ion-, LiPo-, LiFe-, Bleiakkus |
| Design  |  |
| NiCd- / NiMH-Akkus .....  | 1 - 15 Zellen                                  |
| LiPo- / LiIo- /LiFe-Akkus .....   | 1 - 6 Zellen                                   |
| Betriebsspannung.....   | 11-18 V---(Netzteil nicht mitgeliefert)        |
| Ladestrom .....   | 0.1-5.0 A                                      |
| Entladestrom .....  | 0.1-1.0 A                                      |
| max. Ladeleistung .....   | 50 W   |
| max. Entladeleistung .....  | 5 W  |
| Ausgleichen von LiPo-Akkus.....   | 300 mA / Zelle                                 |
| Spannung für Bleiakkus .....  | 2-20 V   |
| mitgeliefert.....   | JST-XH-Anschluss                               |
| ..... (kompatibel mit Zippy, HXT, Loong Max und jedes Pack mit einem JST-Adapter) |  |
| Abmessungen .....   | 133 x 87 x 33 mm                               |
| Gewicht .....   | 277 g  |

**Verwenden Sie dieses Gerät nur mit originellen Zubehörteilen. Velleman NV übernimmt keine Haftung für Schaden oder Verletzungen bei (falscher) Anwendung dieses Gerätes. Mehr Informationen zu diesem Produkt und die neueste Version dieser Bedienungsanleitung finden Sie hier: [www.velleman.eu](http://www.velleman.eu). Alle Änderungen ohne vorherige Ankündigung vorbehalten.**

#### © URHEBERRECHT

**Velleman NV besitzt das Urheberrecht für diese Bedienungsanleitung. Alle weltweiten Rechte vorbehalten.** Ohne vorherige schriftliche Genehmigung des Urhebers ist es nicht gestattet, diese Bedienungsanleitung ganz oder in Teilen zu reproduzieren, zu kopieren, zu übersetzen, zu bearbeiten oder zu speichern.

# INSTRUKCJA OBSŁUGI

## 1. Wstęp

Przeznaczona dla mieszkańców Unii Europejskiej.

**Ważne informacje dotyczące środowiska.**



Niniejszy symbol umieszczony na urządzeniu bądź opakowaniu wskazuje, że utylizacja produktu może być szkodliwa dla środowiska. Nie należy wyrzucać urządzenia (lub baterii) do zbiorczego pojemnika na odpady komunalne, należy je przekazać specjalistycznej firmie zajmującej się recyklingiem. Niniejsze urządzenie należy zwrócić dystrybutorowi lub lokalnej firmie świadczącej usługi recyklingu.

Przestrzegać lokalnych zasad dotyczących środowiska

**W razie wątpliwości należy skontaktować się z lokalnym organem odpowiedzialnym za utylizację odpadów.**

Dziękujemy za zakup produktu Velleman! Prosimy o dokładne zapoznanie się z instrukcją obsługi przed użyciem. Jeżeli urządzenie zostało uszkodzone podczas transportu, nie należy montować ani używać urządzenia, lecz skontaktować się ze sprzedawcą.

## 2. Instrukcje bezpieczeństwa

|  |  |
|--|--|
|  | Nie pozostawiać ładowarki bez nadzoru, gdy jest podłączona do zasilania. W przypadku wykrycia jakiegokolwiek usterki natychmiast zakończyć proces!   |
|  | Chronić urządzenie przed zbyt wysoką temperaturą i pyłem.  |
|  | Ładowarkę i podłączoną baterię należy umieścić na żaroodpornej, niepalnej i nieprzewodzącej powierzchni. Nie umieszczać ich na siedzeniu samochodu, dywanie itp. Trzymać wszelkie materiały zapalne z dala od ładowarki i baterii.   |
|  | Aby uniknąć zwarcia pomiędzy końcówkami ładowarki, zawsze podłączać kabel najpierw do ładowarki, następnie podłączyć baterię. W przypadku rozłączania kolejność odwrócić.  |
|  | Nie podłączać więcej niż jednej baterii naraz.   |
|  | Nie próbować ładować ani rozładowywać następujących typów baterii: <ul style="list-style-type: none"> <li>• baterii składających się z różnych typów ogniw</li> <li>• baterii w pełni naładowanych lub rozładowanych w niewielkim stopniu</li> <li>• baterii wymagających innej techniki ładowania niż te opisane w niniejszej instrukcji</li> <li>• baterii wadliwych lub uszkodzonych</li> <li>• baterii wyposażonych w wewnętrzny obwód zasilania lub ochronny</li> <li>• baterii zamontowanych w urządzeniach lub podłączonych elektrycznie do innych elementów</li> <li>• baterii nieopisanych w niniejszej instrukcji</li> </ul> |

## 3. Ostrzeżenia i uwagi dotyczące bezpieczeństwa

| NiCd/NiMH                                   |   |
|---|---|
| poziom napięcia                             | 1,2 V / ogniwo                            |
| dopuszczalny prąd szybkiego ładowania       | 1-2 A (w zależności od wydajności ogniw)  |
| poziom graniczny napięcia rozładowania      | 0,85 V/ogniwo (NiCd), 1,0 V/ogniwo (NiMH) |
| Li-ion                                      |   |
| poziom napięcia                             | 3,6 V / ogniwo                            |
| maks. napięcie ładowania                    | 4,1 V / ogniwo                            |
| dopuszczalny prąd szybkiego ładowania       | ≤ 1 A                                     |
| min. poziom graniczny napięcia rozładowania | ≥ 2,5 V / ogniwo                          |

| Li-poly                                |                   |
|--|-------------------|
| poziom napięcia                        | 3,7 V / ogniwo    |
| maks. napięcie ładowania               | 4,2 V / ogniwo    |
| dopuszczalny prąd szybkiego ładowania  | ≤ 1 A             |
| poziom graniczny napięcia rozładowania | ≥ 3,0 V / ogniwo  |
| Li-Fe                                  |                   |
| poziom napięcia                        | 3,3 V / ogniwo    |
| maks. napięcie ładowania               | 3,6 V / ogniwo    |
| dopuszczalny prąd szybkiego ładowania  | ≤ 4 A             |
| poziom graniczny napięcia rozładowania | ≥ 2,0 V / ogniwo  |
| Pb                                     |                   |
| poziom napięcia                        | 2,0 V / ogniwo    |
| maks. napięcie ładowania               | 2,46 V / ogniwo   |
| dopuszczalny prąd szybkiego ładowania  | ≤ 0,4 A           |
| poziom graniczny napięcia rozładowania | ≥ 1,75 V / ogniwo |

#### 4. Informacje ogólne

Proszę zapoznać się z informacjami w części **Usługi i gwarancja jakości Velleman®** na końcu niniejszej instrukcji.



Chronić urządzenie przed wstrząsami i użytkowaniem niezgodnym z przeznaczeniem. Podczas obsługi urządzenia unikać stosowania siły.

- Przed rozpoczęciem pracy z urządzeniem należy zapoznać się z jego funkcjami.
- Wprowadzanie zmian w urządzeniu jest zabronione ze względów bezpieczeństwa. Należy pamiętać, że uszkodzenia spowodowane przez zmiany wprowadzone przez użytkownika nie są objęte gwarancją.
- Urządzenia należy używać wyłącznie zgodnie z przeznaczeniem. Każde inne użytkowanie może prowadzić do wypadków, oparzeń, śpięć, wstrząsów elektrycznych, itd. Używanie urządzenia niezgodnie z przeznaczeniem spowoduje unieważnienie gwarancji.
- Gwarancja nie obejmuje uszkodzeń spowodowanych nieprzestrzeganiem niniejszej instrukcji, a sprzedawca nie ponosi odpowiedzialności za wyniki uszkodzenia lub problemy.
- **Nie przekraczać podanych specyfikacji technicznych.**
- Firma Velleman ani jej dystrybutorzy nie ponoszą odpowiedzialności za jakiegokolwiek szkody (nadzwyczajne, przypadkowe lub pośrednie) dowolnej natury (finansowe, fizyczne...), wynikające z posiadania, użytkowania lub awarii niniejszego produktu.
- Ze względu na stałe udoskonalanie produktu, rzeczywisty wygląd produktu może różnić się od przedstawionego na zdjęciach.
- Zdjęcia produktu są wyłącznie dla celów poglądowych.
- Nie włączać urządzenia tuż po tym, jak zostało narażone na zmiany temperatury. Chronić urządzenie przed uszkodzeniem, pozostawiając je w stanie wyłączonym do momentu osiągnięcia temperatury pokojowej.
- Zachować niniejszą instrukcję na przyszłość.

#### 5. Właściwości

VLE8 to zaawansowana ładowarka pozwalająca na ładowanie, balansowanie i rozładowywanie baterii. Tak jak wszystkie najlepsze ładowarki, ładowarka VLE8 sterowana jest mikroprocesorowo i balansuje poszczególne ogniwa baterii Li-XX. Urządzenie ładuje w zakresie 0,1 - 5,0 A oraz umożliwia ładowanie maks. 65 pakietów. Posiada zabezpieczenie napięcia wejściowego, dzięki czemu nie rozładowuje akumulatora samochodowego w terenie, a ponadto pakiety, które nie są w użytku, przygotowuje do przechowywania. Urządzenie można zasilać napięciem w zakresie 11- 18V.

- sterowanie mikroprocesorowe
- czułość delta-peak
- balansowanie poszczególnych ogniw



- obsługuje: Li-ion, Li-poly, Li-Fe, NiCd, NiMH
- szeroki zakres prądów ładowania
- funkcja ładowania typu storage (przygotowanie do przechowywania)
- funkcja limitu czasowego
- monitoring napięcia wejściowego (chroni akumulator samochodowy w terenie)
- przechowywanie danych (zachowuje w pamięci do 5 pakietów)
- formatowanie i podtrzymywanie akumulatorów

### Specjalne funkcje

**Zoptymalizowane oprogramowanie operacyjne:** Ładowarka posiada automatyczną funkcję ustawiania prądu wejściowego podczas ładowania i rozładowywania. Pozwala to zapobiec przeładowaniu, które może doprowadzić do wybuchu baterii (zwłaszcza w przypadku baterii litowych). W przypadku wykrycia usterki funkcja ta automatycznie rozłącza obwód i emituje sygnał dźwiękowy. Wszystkie ustawienia są konfigurowalne przez użytkownika.

**Wewnętrzne, niezależne urządzenie do balansowania baterii litowych:** Ładowarka posiada urządzenie do balansowania napięcia poszczególnych ogniw, dzięki czemu nie trzeba używać zewnętrznego urządzenia.

**Balansowanie poszczególnych ogniw podczas rozładowywania:** Podczas rozładowywania ładowarka będzie monitorować i balansować każde ogniwo w baterii z osobna. Jeżeli napięcie dowolnego ogniwa jest nieprawidłowe, pojawi się komunikat o błędzie i proces rozładowywania natychmiast się zakończy.

**Możliwość zastosowania do różnych typów baterii litowych:** Ładowarka nadaje się do różnorodnych typów baterii litowych, jak np. Li-ion, Li-poly i Li-Fe.

**Funkcja szybkiego ładowania (fast) i przygotowania do przechowywania (storage) baterii litowych:** Ładowarka posiada specjalne funkcje do różnych zastosowań: tryb szybkiego ładowania (fast) znacznie obniża czas ładowania, natomiast tryb przechowywania (storage) pozwala utrzymać w baterii napięcie idealne do jej przechowywania.

**Analiza komputrowa przez USB:** Ładowarka posiada funkcję podłączenia do komputera w celu analizy charakterystyki baterii. Funkcja ta wyświetla wykres napięcia, prądu i pojemności, pokazuje również napięcie każdego ogniwa w bateriach litowych. Adapter USB jest dostępny oddzielnie.

**Maksymalne bezpieczeństwo:** Program automatycznego zakończenia ładowania oparty jest na wykrywaniu napięcia szczytowego: kiedy napięcie baterii przekracza wartość progową, proces kończy się automatycznie.

**Automatyczne ograniczanie prądu ładowania:** Do ładowania baterii NiCd i NiMH można ustawić górną wartość graniczną prądu ładowania. Jest to użyteczne podczas ładowania baterii o niskiej impedancji i pojemności w trybie automatycznym.

**Limit pojemności:** Pojemność ładowania liczona jest jako iloczyn prądu ładowania i czasu. Jeżeli pojemność ładowania przekroczy limit, proces zakończy się automatycznie podczas ustawiania wartości maksymalnej.

**Wartość progowa temperatury:** Reakcje chemiczne wewnątrz baterii powodują wzrost jej temperatury. Po osiągnięciu wartości granicznej temperatury proces zostanie zakończony. Funkcja dostępna wyłącznie z opcjonalną sondą temperatury.

**Limit czasu procesu:** W ładowarce można ustawić maksymalny czas procesu, aby uniknąć możliwych awarii.

**Zapisywanie i wczytywanie danych:** Ładowarka posiada bank pamięci danych dla maksymalnie pięciu baterii. Różne programy można w dowolnym momencie zapisywać i wczytywać.

**Cykliczne ładowanie i rozładowywanie:** Do stymulowania aktywności baterii dostępnych jest jeden do pięciu programów cyklicznego i ciągłego ładowania-rozładowywania lub rozładowywania-ładowania, zapewniających odświeżanie i balansowanie baterii.

## 6. Przegląd

Patrz rysunki na stronie 2 niniejszej instrukcji.

|          |                            |
|----------|----------------------------|
| <b>1</b> | wyświetlacz LCD            |
| <b>2</b> | port JST XH                |
| <b>3</b> | wyjście przewodu ładowania |
| <b>4</b> | przycisk START/ENTER       |

|          |                              |
|----------|------------------------------|
| <b>5</b> | przycisk DECREASE/INCREASE   |
| <b>6</b> | przycisk TYP/STOP baterii    |
| <b>7</b> | gniazdo czujnika temperatury |

## 7. Menu - Schemat przebiegu programu

Patrz rysunki na stronie 3 niniejszej instrukcji.

## 8. Schemat połączeń

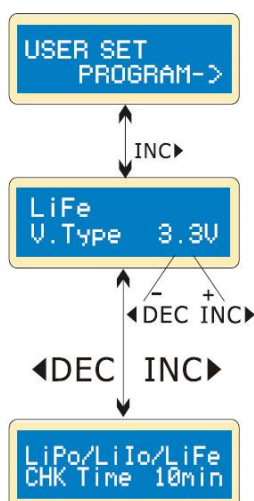
Podczas stosowania funkcji balansowania (balance) należy podłączyć ładowarkę i baterię w następujący sposób. Główna bateria musi być podłączona do złącza balansowania przed ładowaniem. W przeciwnym wypadku ładowarka może ulec uszkodzeniu!



## 9. Obsługa

### 9.1 Wstępna konfiguracja

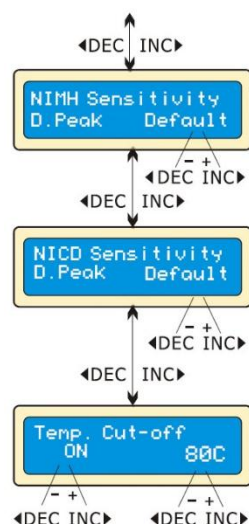
Domyślnie, przy pierwszym podłączeniu obciążenia 11-18 V, ładowarka będzie skonfigurowana na "ustawienia użytkownika". Aby zmienić parametry, nacisnąć przycisk START/ENTER, a następnie zmienić wartości przyciskami INC/DEC. Zapisać wartość, naciskając jednokrotnie przycisk START/ENTER.



Ekran startowy

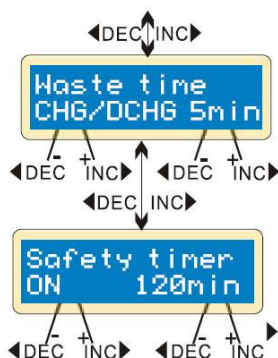
Ekran ten wyświetla napięcie znamionowe baterii litowej. Istnieją trzy rodzaje baterii litowych: Li-Fe (3,3 V), Li-Io (3,6 V) i Li-poly (3,7 V). Jest to ważne dla prawidłowej konfiguracji urządzenia, ponieważ niewłaściwe wartości mogą uszkodzić baterię podczas procesu ładowania.

Ładowarka automatycznie rozpoznaje typ baterii. Jednakże głęboko rozładowane baterie mogą być rozpoznane nieprawidłowo. Aby uniknąć błędów i uszkodzeń, należy ustawić czas zakończenia na ok. 10 minut lub więcej w przypadku większych baterii - dzięki temu ładowarka prawidłowo rozpozna typ baterii. W przypadku wątpliwości pozostawić domyślne ustawienie czasu zakończenia.



Wyświetlanie napięcia wyzwalającego dla automatycznego zakończenia ładowania baterii NiMH i NiCd. Wartość ta waha się od 5 do 20 mV na ogniwo. Jeżeli napięcie to jest ustawione wyżej, istnieje niebezpieczeństwo przedwczesnego zakończenia ładowania. Jeżeli zostanie ustawione niżej, istnieje możliwość przedwczesnego zakończenia ładowania. Patrz specyfikacja baterii (domyślna wartość dla NiCd: 12 mV, dla NiMH: 7 mV).

Istnieje opcjonalna funkcja odłączenia ładowania w zależności od temperatury, wykorzystująca sondę temperaturową stykającą się z powierzchnią baterii. Jeżeli opcja ta jest aktywowana, należy ustawić maksymalną temperaturę, która może zostać osiągnięta przez baterię podczas ładowania. Po osiągnięciu tej temperatury przez baterię podczas ładowania proces zatrzyma się, aby chronić baterię.

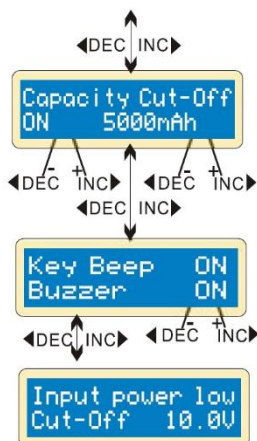


Bateria nagrzewa się po każdym cyklu ładowania/rozładowywania. Program wprowadzi opóźnienie czasowe po każdym cyklu ładowania/rozładowywania, aby bateria mogła się ochłodzić przed rozpoczęciem kolejnego cyklu. Prawidłowa wartość waha się od 0 do 60 minut.

Po rozpoczęciu procesu ładowania wbudowany timer bezpieczeństwa również się uruchamia. W przypadku wykrycia błędu, albo jeżeli obwód odcinający nie może wykryć, czy bateria jest w pełni naładowana, czy też nie, ładowarka jest zaprogramowana do zapobiegania przeładowaniu.

### Ustawienia timera bezpieczeństwa

| pojemność w mAh | prąd  | timer bezpieczeństwa               |
|-----------------|-------|------------------------------------|
| 2000            | 2,0 A | $(2000/2,0 = 1000)/11,9 = 84$ min. |
| 3300            | 3,0 A | $(3300/3,0 = 1100)/11,9 = 92$ min. |
| 1000            | 1,2 A | $(1000/1,2 = 833)/11,9 = 70$ min.  |



Program zapewnia maksymalną ochronę. Jeżeli napięcie szczytowe nie może zostać wykryte, lub jeżeli upłynie czas ustawiony w timerze bezpieczeństwa, proces ładowania zatrzyma się automatycznie, gdy bateria osiągnie ustawioną przez użytkownika maksymalną pojemność ładowania.

Po każdym naciśnięciu przycisku lub wybraniu innego trybu emitowany jest sygnał dźwiękowy. Funkcja ta może zostać włączona lub wyłączona.

Ta funkcja pozwala na monitorowanie napięcia baterii zasilającej ładowarkę. Jeżeli jest ono poniżej wartości ustawionej przez użytkownika, program natychmiast się zakończy, aby chronić tę baterię.

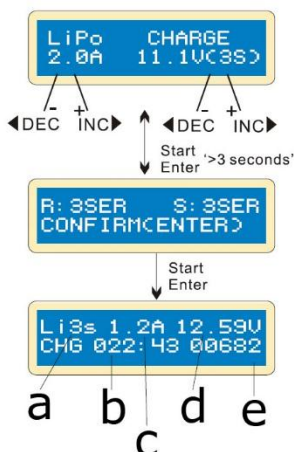
## 9.2 Program dla baterii litowych (Li-ion, Li-poly, Li-Fe)

Ładowarka nadaje się wyłącznie do ładowania baterii litowych z napięciem znamionowym 3,3, 3,6 lub 3,7 V. Różne baterie wymagają różnych technik ładowania. Istnieją dwie metody ładowania: metoda stałonapięciowa i stałoprądowa. Prąd ładowania waha się w zależności od pojemności i specyfikacji baterii. Napięcie końcowe jest bardzo ważne i powinno dokładnie odpowiadać napięciu baterii: Dla Li-poly - 4,2 V, Li-ion - 4,1 V, a dla Li-Fe 3,6 V.

Aby zmienić parametry, nacisnąć przycisk START/ENTER, a następnie zmienić wartość przyciskami INC/DEC. Zapisać wartość, naciskając jednokrotnie przycisk START/ENTER.

## Ładowanie baterii litowej w trybie Charge

W tym trybie można naładować baterię Li-poly, Li-ion lub Li-Fe bez przewodu balansującego.



Na wyświetlaczu pojawi się typ baterii oraz ustawiona przez użytkownika wartość prądu (po lewej) oraz wartość ładowania (po prawej). Przytrzymać przycisk START/ENTER przez 3 sekundy, aby rozpocząć proces ładowania.

Na wyświetlaczu pojawia się liczba ogniw ustawiona przez użytkownika. R oznacza liczbę ogniw wykrytą przez ładowarkę; S to liczba ogniw uprzednio ustawiona. Jeżeli liczby te są takie same, można rozpocząć proces ładowania poprzez naciśnięcie przycisku START/ENTER. W przeciwnym razie nacisnąć przycisk TYPE/STOP, aby powrócić do poprzedniego ekranu i dokładnie sprawdzić liczbę ogniw w baterii.

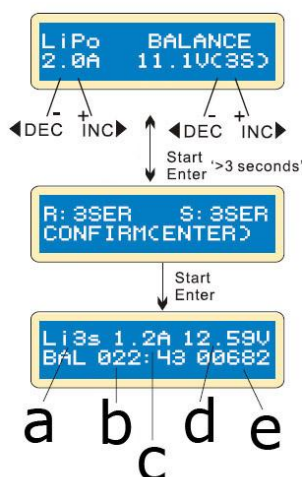
Na ekranie pojawia się stan naładowania baterii aktualizowany w czasie rzeczywistym. Nacisnąć przycisk TYPE/STOP, aby zatrzymać proces ładowania.

- liczba ogniw
- czas ładowania
- prąd ładowania
- napięcie baterii
- pojemność ładowania

## Ładowanie baterii litowej w trybie Balance

Tryb ten umożliwi balansowanie napięć ogniw baterii Li-poly podczas ładowania. W trybie tym bateria wymaga przewodu balansującego podłączonego do oddzielnego portu do balansowania. Przewód zasilania baterii musi być podłączony do wyjścia ładowarki.

Ładowanie w tym trybie różni się od trybu normalnego, ponieważ wbudowany procesor monitoruje napięcie poszczególnych ogniw i kontroluje prąd wejściowy doprowadzany do każdego ogniwa w zależności od zrównoważonego napięcia dla tego ogniwa.



Na wyświetlaczu pojawi się typ baterii oraz ustawiona przez użytkownika wartość prądu (po lewej) oraz wartość ładowania (po prawej). Przytrzymać przycisk START/ENTER przez 3 sekundy, aby rozpocząć proces ładowania.

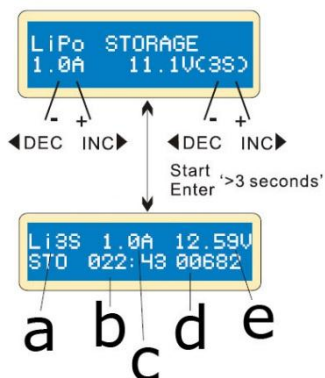
Na wyświetlaczu pojawia się liczba ogniw ustawiona przez użytkownika. R oznacza liczbę ogniw wykrytą przez ładowarkę; S to liczba ogniw uprzednio ustawiona. Jeżeli liczby te są takie same, można rozpocząć proces ładowania poprzez naciśnięcie przycisku START/ENTER. W przeciwnym razie nacisnąć przycisk TYPE/STOP, aby powrócić do poprzedniego ekranu i dokładnie sprawdzić liczbę ogniw w baterii.

Na ekranie pojawia się stan naładowania baterii aktualizowany w czasie rzeczywistym. Nacisnąć przycisk TYPE/STOP, aby zatrzymać proces ładowania.

- liczba ogniw
- czas ładowania
- prąd ładowania
- napięcie baterii
- pojemność ładowania

### Ładowanie baterii litowej w trybie Fast

Prąd ładowania zmniejsza się pod koniec procesu ładowania. Proces osiągnięcia zadanego napięcia zostanie skrócony, co spowoduje zakończenie ładowania jeszcze wcześniej. Prąd ładowania zmieni się na 1/5, gdy proces ładowania jest w 1/10. Pojemność ładowania będzie nieco mniejsza niż w przypadku normalnego ładowania, ale czas ładowania zostanie odpowiednio skrócony.



Tutaj można ustawić prąd i napięcie baterii. Po ładowaniu i rozładowywaniu w baterii zostanie ustawione napięcie przechowywania.

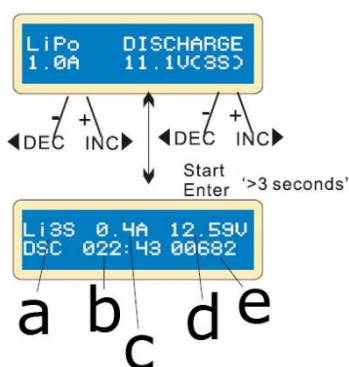
Na ekranie pojawia się stan naładowania baterii aktualizowany w czasie rzeczywistym. Nacisnąć przycisk TYPE/STOP, aby zatrzymać proces ładowania.

- liczba ogniw
- czas, który upłynął
- prąd ładowania lub rozładowywania
- dostarczana pojemność
- obecne napięcie baterii

### Ładowanie baterii litowej w trybie Storage

Funkcja ta jest użyteczna, jeżeli konieczne jest naładowanie lub rozładowanie baterii, która nie będzie natychmiast użytkowana. Program ten może być użyty wyłącznie z następującymi bateriami: Li-poly 3,85 V, Li-ion 3,75 V oraz Li-Fe 3,3 V. Bateria zostanie rozładowana, jeżeli jej pierwotny stan przekracza napięcie przechowywania.

### Rozładowywanie baterii litowej



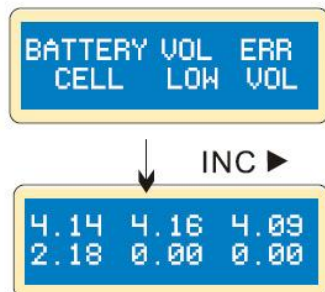
Tutaj widać wskazanie stanu rozładowywania baterii aktualizowane w czasie rzeczywistym. Nacisnąć przycisk TYPE/STOP, aby zatrzymać proces rozładowywania.

Wartość prądu rozładowywania po lewej nie może przekroczyć 1,0 A; wartość po prawej nie może spaść poniżej napięcia zalecanego przez producenta, aby uniknąć rozładowywania. Przytrzymać przycisk START/ENTER przez 3 sekundy, aby rozpocząć proces ładowania.

- liczba ogniw
- czas, który upłynął
- prąd rozładowywania
- napięcie baterii
- pojemność po rozładowaniu

### Balansowanie i monitorowanie napięcia podczas procesu rozładowywania

Podczas ładowania i rozładowywania w trybie przechowywania (storage) ładowarka monitoruje napięcie każdego ogniwa. Po wykryciu nieprawidłowości w ogniwie ładowarka wyświetli komunikat o błędzie i zatrzyma proces. Nacisnąć przycisk INC, aby wyświetlić uszkodzone ogniwo.



Ładowarka wskazuje, że napięcie jednego ogniwa jest za niskie.

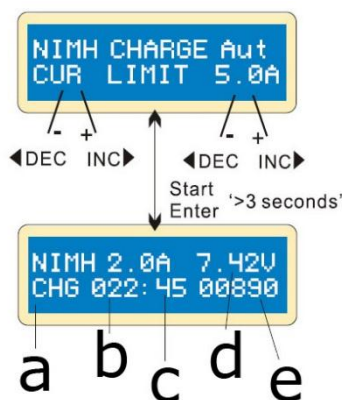
Ogniwo nr 4 jest uszkodzone. Wartość spada do zera w przypadku rozłączenia.

### 9.3 Program nikiowy (NiCd, NiMH)

#### Ładowanie baterii NiCd/NiMH w trybie ładowania

Program ten umożliwi naładowanie baterii z prądem ustawionym przez użytkownika. Zaleca się uważne ustawienie górnej granicy prądu ładowania, aby uniknąć uszkodzenia poprzez nadmierne naładowanie. Niektóre baterie o niskiej rezystancji i pojemności mogą doprowadzić do powstania większego prądu w trybie ładowania automatycznego.

W trybie ręcznym ładowanie będzie się odbywać przy ustawionej wartości prądu. Nacisnąć przycisk INC/DEC, aby przełączać się pomiędzy programami ładowania automatycznego i ręcznego.



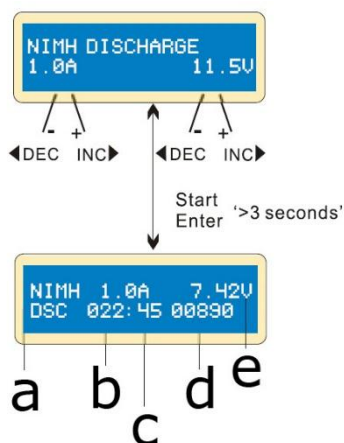
Program ten jest użyteczny do ładowania baterii NiCd/NiMH używanych w zastosowaniach R/C. Nacisnąć przycisk START/STOP, aby wybrać program i zmieniać wartość parametru przyciskiem INC/DEC. Nacisnąć START/ENTER ponownie, aby zapisać ustawione wartości.

Tutaj widać wskazanie stanu rozładowywania baterii aktualizowane w czasie rzeczywistym. Nacisnąć przycisk TYPE/STOP, aby zatrzymać proces ładowania.

- a. typ baterii
- b. czas, który upłynął
- c. prąd ładowania
- d. napięcie baterii
- e. pojemność ładowania



## Rozładowywanie baterii NiCd/NiMH

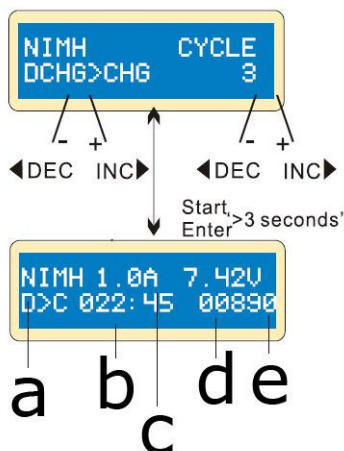


Na wyświetlaczu pokazany jest prąd ładowania (po lewej) i napięcie końcowe (po prawej). Zakres prądu wynosi od 0,1 do 1,0 A; zakres napięcia wynosi od 0,1 do 25,0 V. Rozpocząć program rozładowywania, przytrzymując przycisk START/ENTER przez 3 sekundy.

Na wyświetlaczu pokazuje się stan rozładowywania. Nacisnąć przycisk START/ENTER, aby zmodyfikować prąd rozładowywania, nacisnąć ponownie, aby zapisać wartość. Nacisnąć TYPE/STOP, aby zakończyć proces rozładowywania.

- typ baterii
- czas, który upłynął
- prąd rozładowywania
- napięcie baterii
- pojemność po rozładowaniu

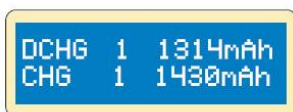
## Cykle ładowania/rozładowywania i rozładowywania/ładowania baterii NiCd/NiMH



Ustawić sekwencję z lewej strony i liczbę cykli z prawej strony. Liczba cykli może wynosić od 1 do 5.

Nacisnąć TYPE/STOP, aby zakończyć proces, nacisnąć START/ENTER, aby zmodyfikować prąd ładowania

- typ baterii
- czas, który upłynął
- prąd rozładowywania lub ładowania
- napięcie baterii
- pojemność po rozładowaniu lub naładowaniu

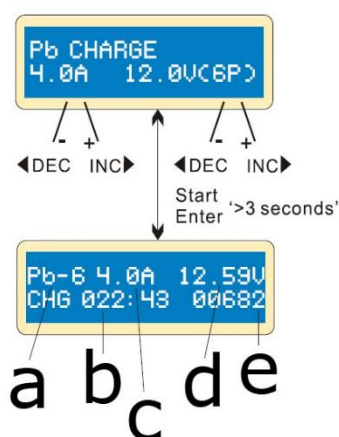


Pod koniec procesu pokaże się pojemność baterii po naładowaniu lub rozładowaniu. Nacisnąć INC/DEC, aby wyświetlić wynik.

## 9.4 Program ładowania baterii kwasowo-ołowiowych (Pb)

### Ładowanie baterii Pb w trybie ładowania

Program nadaje się wyłącznie do ładowania baterii kwasowo-ołowiowych z napięciem znamionowym od 2 do 20 V. Baterie kwasowo-ołowiowe są zupełnie inne od NiCd/NiMH. Mogą one dostarczać niższy prąd w porównaniu ze swoją pojemnością. To samo ograniczenie dotyczy procesu ładowania. W rezultacie optymalny prąd ładowania wynosi jedynie 1/10 pojemności. Bateria kwasowo-ołowiowa nie nadaje się do szybkiego ładowania. Ze względu na chemiczną charakterystykę tego typu baterii punkt odcinania może być czasami trudny do wykrycia. Zalecamy zastosowanie funkcji odcinania w zależności od pojemności w celu ochrony baterii. Nacisnąć START/ENTER, aby aktywować tę funkcję, zmodyfikować parametry za pomocą INC/DEC, zatwierdzić START/ENTER.

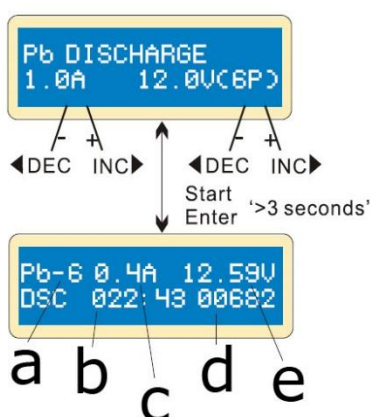


Ustawić prąd ładowania (po lewej) i napięcie znamionowe (po prawej). Prąd może wynosić od 0,1 do 5,0 A. Napięcie powinno odpowiadać napięciu ładowanej baterii. Rozpocząć program ładowania, przytrzymując przycisk START/ENTER przez 3 sekundy.

Na ekranie pojawia się stan naładowania baterii aktualizowany w czasie rzeczywistym. Nacisnąć przycisk START/ENTER aby zmodyfikować prąd ładowania, nacisnąć ponownie, aby zapisać wartość. Przytrzymać przycisk TYPE/STOP przez 3 sekundy, aby zatrzymać proces ładowania.

- typ baterii
- czas, który upłynął
- prąd ładowania
- napięcie baterii
- pojemność ładowania

### Rozładowywanie baterii Pb



Ustawić prąd ładowania (po lewej) i napięcie znamionowe (po prawej). Prąd może wynosić od 0,1 do 1,0 A. Napięcie powinno odpowiadać napięciu rozładowywanej baterii. Rozpocząć program rozładowywania, przytrzymując przycisk START/ENTER przez 3 sekundy.

Tutaj widać wskazanie stanu rozładowywania baterii aktualizowane w czasie rzeczywistym. Nacisnąć przycisk START/ENTER, aby zmodyfikować prąd rozładowywania, nacisnąć ponownie, aby zapisać wartość. Przytrzymać przycisk TYPE/STOP przez 3 sekundy, aby zatrzymać proces rozładowywania.

- typ baterii
- czas, który upłynął
- prąd rozładowywania
- napięcie baterii
- pojemność po rozładowaniu

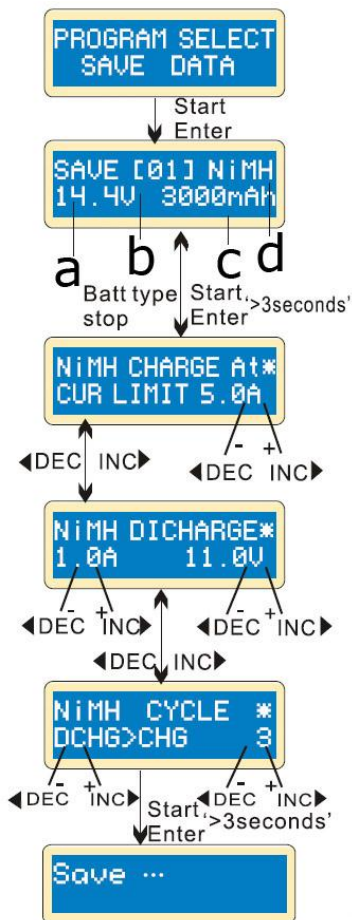


## 9.5 Program zapisywania danych

Dla wygody ładowarka posiada program zapisywania i odczytywania danych. Może ona przechowywać pięć zestawów danych dla baterii odpowiadających konkretnym specyfikacjom. Podczas ładowania lub rozładowywania można wczytać te dane, dzięki czemu nie jest konieczna ponowna konfiguracja programu.

### Zapisywanie programu

Nacisnąć START/ENTER i ustawić parametry przyciskiem INC/DEC.



Ustawianie parametrów na ekranie nie wpłynie na proces ładowania i rozładowywania; przedstawiają one tylko specyfikację baterii. W tym przykładzie bateria jest typu NiMH z 12 ogniwami o pojemności 3000 mAh.

Ustawić prąd ładowania w trybie ręcznym, lub wartość graniczną prądu w trybie automatycznym. Jednocześnie nacisnąć INC i DEC, aby przejść do trybu ładowania.

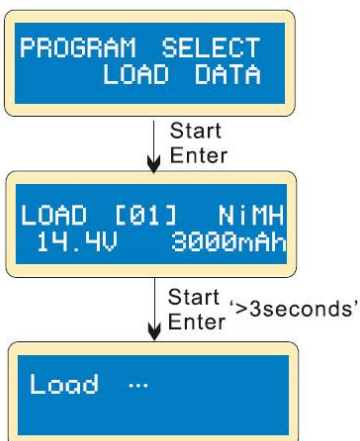
Ustawić prąd rozładowywania i napięcie końcowe.

Ustawić sekwencję i liczbę cykli ładowania lub rozładowywania.

Zapisywanie danych.

- a. napięcie
- b. numer danych
- c. pojemność
- d. typ baterii

### Wczytywanie programu




Wybrać numer zestawu danych, który ma być wczytany.

Wczytywanie danych.

## 10. Wyświetlaj informacje

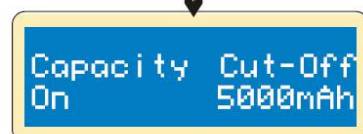
Ładowarka pozwala na pozyskiwanie różnorodnych informacji podczas ładowania i rozładowywania. Nacisnąć DEC, aby wyświetlić ustawienia użytkownika, nacisnąć INC aby monitorować napięcie, gdy bateria jest podłączona do każdego portu ładowarki.



End Voltage  
12.6v(3s)

Wyświetlacz wskazuje napięcie końcowe po zakończeniu programu.

◀DEC ↓



Capacity Cut-Off  
On 5000mAh

Wyświetlacz wskazuje ustawioną wartość pojemności oraz informację, że uruchomiono funkcję odcinania w zależności od pojemności.

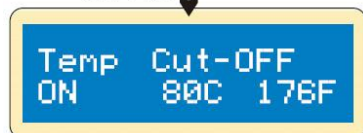
◀DEC ↓



Safety Timer  
ON 200min

Wyświetlacz wskazuje czas trwania w minutach oraz informację, że uruchomiono timer bezpieczeństwa.

◀DEC ↓



Temp Cut-OFF  
ON 80C 176F

Wyświetlacz wskazuje, że funkcja odcięcia temperaturowego została włączona.

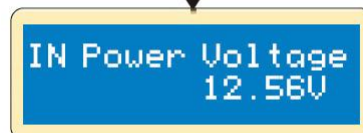
◀DEC ↓



Ext. Temp 26C

Wyświetlacz wskazuje temperaturę zewnętrzną (tylko jeżeli stosowana jest sonda temperatury).

◀DEC ↓



IN Power Voltage  
12.56V

Wyświetlacz wskazuje bieżące napięcie wejściowe.

◀DEC ↓



4.14 4.16 4.09  
0.00 0.00 0.00

Jeżeli bateria jest podłączona kablem, wyświetlane jest napięcie każdego ogniwa.

## 11. Ostrzeżenia i komunikaty o błędach

W przypadku wystąpienia błędu ładowarka wyświetli przyczynę błędu i wyemituje sygnał ostrzegawczy.

|                                  |   |
|----------------------------------|---|
| REVERSE POLARITY                 | Niewłaściwa biegunowość   |
| CONNECTION BREAK                 | Przerwano połączenie baterii  |
| SHORT ERR                        | Zwarcie na wyjściu  |
| INPUT VOL ERR                    | Błąd napięcia wyjściowego   |
| VOL SELECT ERR                   | Niewłaściwie dobrane napięcie baterii.  |
| BREAK DOWN                       | Uszkodzona ładowarka. Proszę skontaktować się z dystrybutorem.  |
| BATTERY CHECK<br>LOW VOLTAGE     | Napięcie baterii jest niższe niż ustawiona wartość. Sprawdzić liczbę ogniw.                           |
| BATTERY CHECK<br>HIGH VOLTAGE    | Napięcie baterii jest wyższe niż ustawiona wartość. Sprawdzić liczbę ogniw.                           |
| BATTERY VOLTAGE<br>CELL LOW VOL  | Napięcie jednego ogniwa jest za niskie. Sprawdzić napięcie każdego z ogniw.                           |
| BATTERY VOLTAGE<br>CELL HIGH VOL | Napięcie jednego ogniwa jest za wysokie. Sprawdzić napięcie każdego z ogniw.                          |
| BATTERY VOL ERR<br>CELL CONNECT  | Złe połączenie. Sprawdzić złącze i kabel.   |
| CONTROL FAILURE                  | Procesor nie jest w stanie kontrolować doprowadzanego prądu. Proszę skontaktować się z dystrybutorem. |

## 12. Tabela maksymalnej mocy obwodu

Całkowita moc obwodu ładowarki: (1) ładowanie: 50 W, (2) rozładowywanie: 5 W.

W przypadku napięcia baterii powyżej 10 V, rzeczywista wartość prądu ładowania doprowadzanego do baterii zostanie automatycznie zmniejszona. Rzeczywisty prąd ładowania będzie następujący:

| typ baterii | liczba ogniw | napięcie znamionowe (V) | maks. napięcie ładowania (V) | prąd ładowania (A) | prąd rozładowywania (A) |
|-------------|--------------|-------------------------|------------------------------|--------------------|-------------------------|
| NiCd/NiMH   | 1            | 1,20                    | 1,50                         | 5,00               | 1,00                    |
|             | 2            | 2,40                    | 3,00                         | 5,00               | 1,00                    |
|             | 3            | 3,60                    | 4,50                         | 5,00               | 1,00                    |
|             | 4            | 4,80                    | 6,00                         | 5,00               | 0,83                    |
|             | 5            | 6,00                    | 7,50                         | 5,00               | 0,67                    |
|             | 6            | 7,20                    | 9,00                         | 5,00               | 0,56                    |
|             | 7            | 8,40                    | 10,50                        | 5,00               | 0,48                    |
|             | 8            | 9,60                    | 12,00                        | 5,00               | 0,42                    |
|             | 9            | 10,80                   | 13,50                        | 4,63               | 0,37                    |
|             | 10           | 12,00                   | 15,00                        | 4,17               | 0,33                    |
|             | 11           | 13,20                   | 16,50                        | 3,79               | 0,30                    |
|             | 12           | 14,40                   | 18,00                        | 3,47               | 0,28                    |
|             | 13           | 15,60                   | 19,50                        | 3,21               | 0,26                    |
|             | 14           | 16,80                   | 21,00                        | 2,98               | 0,24                    |
|             | 15           | 18,00                   | 22,50                        | 2,78               | 0,22                    |
| Li-poly     | 1S           | 3,70                    | 4,20                         | 5,00               | 1,00                    |
|             | 2S           | 7,40                    | 8,40                         | 5,00               | 0,60                    |
|             | 3S           | 11,10                   | 12,60                        | 4,50               | 0,40                    |
|             | 4S           | 14,80                   | 16,80                        | 3,38               | 0,30                    |
|             | 5S           | 18,50                   | 21,00                        | 2,70               | 0,24                    |
|             | 6S           | 22,20                   | 25,20                        | 2,25               | 0,20                    |
| Li-Fe       | 1S           | 3,30                    | 3,60                         | 5,00               | 1,00                    |
|             | 2S           | 6,60                    | 7,20                         | 5,00               | 0,69                    |
|             | 3S           | 9,90                    | 10,80                        | 5,00               | 0,46                    |
|             | 4S           | 13,20                   | 14,40                        | 3,79               | 0,35                    |
|             | 5S           | 16,50                   | 18,00                        | 3,03               | 0,28                    |
|             | 6S           | 19,80                   | 21,60                        | 2,53               | 0,23                    |
| Li-ion      | 1S           | 3,60                    | 4,10                         | 5,00               | 1,00                    |
|             | 2S           | 7,20                    | 8,20                         | 5,00               | 0,61                    |
|             | 3S           | 10,80                   | 12,30                        | 4,63               | 0,41                    |
|             | 4S           | 14,40                   | 16,40                        | 3,47               | 0,30                    |
|             | 5S           | 18,00                   | 20,50                        | 2,78               | 0,24                    |
|             | 6S           | 21,60                   | 24,60                        | 2,31               | 0,20                    |
| Pb          |              | 6,00                    | 6,90                         | 5,00               | 0,72                    |
|             |              | 8,00                    | 9,20                         | 5,00               | 0,54                    |
|             |              | 10,00                   | 11,50                        | 5,00               | 0,43                    |
|             |              | 12,00                   | 13,80                        | 4,17               | 0,36                    |
|             |              | 14,00                   | 16,10                        | 3,57               | 0,31                    |
|             |              | 16,00                   | 18,40                        | 3,13               | 0,27                    |
|             |              | 18,00                   | 20,70                        | 2,78               | 0,24                    |
|             | 20,00        | 23,00                   | 2,50                         | 0,22               |                         |

### 13. Czyszczenie i konserwacja

Urządzenie nie wymaga szczególnej konserwacji. Wystarczy co jakiś czas przetrzeć urządzenie wilgotną ściereczką. Nie stosować szorstkich środków chemicznych, rozpuszczalników czyszczących ani silnych detergentów.

Przewód zasilający w przypadku uszkodzenia musi być wymieniony przez producenta, przedstawiciela serwisu producenta lub wykwalifikowaną osobę w celu uniknięcia zagrożenia.

### 14. Specyfikacja techniczna

|  |   |
|--|---|
| technologia.....   | NiCd, NiMh, Li-ion, Li-poly, Li-Fe, ołowiowe  |
| konstrukcja  |   |
| liczba ogniw akumulatorów NiCd/NiMh.....                       | 1-15 ogniw  |
| ilość ogniw akumulatorów litowo-jonowych/Fe/polimerowych ..... | 1-6 ogniw   |
| zakres napięcia roboczego .....                                | 11-18 V $\overline{=}$ (zestaw nie obejmuje zasilacza)  |
| zakres prądu ładowania.....                                    | 0,1-5,0 A   |
| zakres prądu rozładowania .....                                | 0,1-1,0 A   |
| maks. moc ładowania .....                                      | 50 W  |
| maks. moc rozładowania .....                                   | 5 W   |
| upływ prądu przy balansowaniu Li-poly .....                    | 300 mA / ogniwo   |
| napięcie akumulatora PB .....                                  | 2-20 V  |
| zestaw obejmuje:.....  | wtyczka ładowania JST-XH<br>(kompatybilna z pakietami Zippy, HXT, Loong Max oraz dowolnym pakietem z adapterem JST) |
| wymiary.....   | 133 x 87 x 33 mm  |
| waga .....   | 277 g   |

**Należy używać wyłącznie oryginalnych akcesoriów. Firma Velleman nv nie ponosi odpowiedzialności za uszkodzenia lub urazy wynikające z (niewłaściwego) korzystania z niniejszego urządzenia. Aby uzyskać więcej informacji dotyczących produktu oraz najnowszą wersję niniejszej instrukcji, należy odwiedzić naszą stronę internetową [www.velleman.eu](http://www.velleman.eu). Informacje zawarte w niniejszej instrukcji obsługi mogą ulec zmianie bez wcześniejszego powiadomienia.**

#### © INFORMACJA O PRAWACH AUTORSKICH

**Instrukcja jest własnością firmy Velleman NV i jest chroniona prawami autorskimi. Wszelkie prawa są zastrzeżone na całym świecie.** Żadna część niniejszej instrukcji nie może być kopiowana, przedrukowywana, tłumaczona lub konwertowana na wszelkie nośniki elektroniczne lub w inny sposób, bez uprzedniej pisemnej zgody właściciela praw autorskich.

# MANUAL DO UTILIZADOR

## 1. Introdução

### Aos cidadãos da União Europeia

#### Importantes informações sobre o meio ambiente no que respeita a este produto



Este símbolo no aparelho ou na embalagem indica que, enquanto desperdícios, poderão causar danos no meio ambiente. Não coloque a unidade (ou as pilhas) no depósito de lixo municipal; deve dirigir-se a uma empresa especializada em reciclagem. Devolva o aparelho ao seu distribuidor ou ao posto de reciclagem local. Respeite a legislação local relativa ao meio ambiente.

#### Em caso de dúvidas, contacte com as autoridades locais para os resíduos.

Agradecemos o facto de ter adquirido este aparelho. Leia atentamente as instruções do manual antes de usar o aparelho. Caso o aparelho tenha sofrido algum dano durante o transporte não o instale e entre em contacto com o seu distribuidor.

## 2. Instruções de segurança

|  |  |
|--|--|
|  | Nunca deixe este carregador sem supervisão enquanto estiver ligado à corrente. Se verificar alguma anomalia, interrompa o processo de imediato!  |
|  | Não exponha o equipamento ao pó nem a temperaturas extremas.   |
|  | Este carregador e a bateria conectada devem ser colocados numa superfície resistente ao calor, não inflamável e não condutora. Nunca os coloque no assento de um automóvel, num tapete ou algo semelhante. Mantenha todos os materiais inflamáveis afastados do carregador e da bateria.   |
|  | Para evitar o curto-circuito entre os cabos de carga, ligue sempre o cabo primeiro ao carregador e ligue só depois a bateria. Inverta a sequência para desligar.   |
|  | Não ligue mais do que uma bateria ao mesmo tempo.  |
|  | Nunca tente carregar ou descarregar os seguintes tipos de baterias: <ul style="list-style-type: none"> <li>• uma bateria que contenha vários tipos de células</li> <li>• uma bateria que já esteja completamente carregada ou ligeiramente descarregada</li> <li>• uma bateria que exija uma técnica de carregamento diferente da técnica descrita neste manual</li> <li>• uma bateria estragada ou com alguma deficiência</li> <li>• uma bateria equipada com um circuito de carga integrante ou circuito de proteção</li> <li>• uma bateria instalada num dispositivo ou ligada eletricamente a outros componentes</li> <li>• uma bateria não referida neste manual</li> </ul> |

## 3. Advertências e Notas de Segurança

| NiCd/NiMH                           |  |
|-------------------------------------|--|
| nível de tensão                     | 1.2 V/célula                               |
| corrente de carga rápida admissível | 1-2 A (dependendo do desempenho da célula) |
| nível de corte tensão de descarga   | 0.85 V/célula (NiCd), 1.0 V/célula (NiMH)  |
| Li-ion                              |  |
| nível de tensão                     | 3.6 V/célula                               |
| máx. tensão de carga                | 4.1 V/célula                               |
| corrente de carga rápida admissível | ≤ 1 A                                      |
| nível de corte tensão de descarga   | ≥ 2.5 V/célula                             |
| Li-poly                             |  |
| nível de tensão                     | 3.7 V/célula                               |
| máx. tensão de carga                | 4.2 V/célula                               |
| corrente de carga rápida admissível | ≤ 1 A                                      |
| nível de corte tensão de descarga   | ≥ 3.0 V/célula                             |

**Li-Fe**

|                                     |                |
|-------------------------------------|----------------|
| nível de tensão                     | 3.3 V/célula   |
| máx. tensão de carga                | 3.6 V/célula   |
| corrente de carga rápida admissível | ≤ 4 A          |
| nível de corte tensão de descarga   | ≥ 2.0 V/célula |

**Pb**

|                                     |                 |
|-------------------------------------|-----------------|
| nível de tensão                     | 2.0 V/célula    |
| máx. tensão de carga                | 2.46 V/célula   |
| corrente de carga rápida admissível | ≤ 0.4 A         |
| nível de corte tensão de descarga   | ≥ 1.75 V/célula |

## 4. Normas gerais

Consulte a **Garantia de serviço e qualidade Velleman®** na parte final deste manual do utilizador.



Proteja o aparelho de quedas e má utilização. Evite usar força excessiva ao utilizar o aparelho.

- Familiarize-se com o funcionamento do aparelho antes de o utilizar.
- Por razões de segurança, estão proibidas quaisquer modificações do aparelho desde que não autorizadas. Os danos causados por modificações não autorizadas do aparelho não estão cobertos pela garantia.
- Utilize o aparelho apenas para as aplicações descritas neste manual. Todos os outros usos podem levar a um curto-circuito, queimaduras, eletrochoques, de colisão, etc. Utilizar o aparelho de uma forma não autorizada dará origem à anulação da garantia.
- Danos causados pelo não cumprimento das normas de segurança referidas neste manual anulam a garantia e o seu distribuidor não será responsável por quaisquer danos ou outros problemas daí resultantes.
- **Não utilizar** sem observar as especificações técnicas.
- Nem Velleman NV nem os seus distribuidores podem ser responsabilizados por quaisquer danos (extraordinário, incidental ou indireto) - de qualquer natureza decorrentes (financeira, física ...) a partir da posse, uso ou falha do produto.
- Devido às contantes melhorias do produto, o produto actual pode diferir das imagens apresentadas.
- As imagens do produto têm apenas uma função ilustrativa.
- Não ligue o aparelho depois de exposto a variações de temperatura. Para evitar danos, espere que o aparelho atinge a temperatura ambiente.
- Guarde este manual para posterior consulta.

## 5. Características

O VLE8 é um carregador de nível avançado, capaz de carregar, equilibrar e descarregar baterias recarregáveis. É controlado por um microprocessador tal como os melhores carregadores e irá equilibrar as células individuais nas suas baterias Li-XX. Carrega de 01 a 5.0 A e é capaz de carregar packs até packs 6S. Possui proteção da tensão de entrada, de modo a não enfraquecer a sua bateria do carro no campo e também poderá gerir a carga de armazenamento dos seus packs sempre que não os estiver a usar. Pode ativá-lo com qualquer fonte de alimentação de 11 a 18 V.

- controlado por microprocessador
- sensibilidade delta-pico
- balanceamento das células individuais
- suporta: Li-ion, Li-poly, Li-Fe, NiCd, NiMH
- grande variedade de correntes de carga
- função de carga de armazenamento
- função de limite de tempo
- monitorização da tensão de entrada (protege a bateria do automóvel)
- armazenamento de dados (guarda até 5 packs na memória)
- battery break-in and cycling

## Características Especiais

**Software de operação otimizado:** O carregador possui uma função automática que define a corrente de alimentação durante a carga e a descarga. Em especial no caso baterias de lítio, isto poderá evitar o sobrecarregamento o que pode levar à explosão da bateria. Esta função desliga automaticamente o circuito e emite um sinal sonoro no caso de ser detetada alguma anomalia. Todas as definições são configuradas pelo utilizador.

**Nivelador interno e independente da bateria de lítio:** O carregador possui um nivelador de tensão da célula individual, o que torna desnecessário o uso de um nivelador externo equilibrar a carga.

**Nivelamento da célula individual durante a descarga:** Durante a descarga, o carregador monitoriza e nivela individualmente cada uma das células da bateria. Sempre que a tensão de qualquer célula é considerada anormal, uma mensagem de erro será exibida e o processo de descarga termina automaticamente.

**Adaptável a vários tipos de baterias de lítio.** O carregador é indicado para vários tipos de baterias de lítio, tais como Li-ion, Li-poly e Li-Fe.

**Modos rápido e armazenamento para baterias de lítio:** O carregador possui várias funções para responder às várias necessidades: o modo de carga rápida reduz consideravelmente a duração de carga enquanto que o modo de armazenamento mantém a bateria a uma tensão de armazenamento ideal.

**Análise baseada no PC via USB:** O carregador oferece uma função baseada no PC, a fim de analisar as características da bateria. A função apresenta um gráfico de tensão, corrente e capacidade, e também mostra a tensão de cada célula para as baterias de lítio. O adaptador USB está disponível separadamente.

**Máxima segurança:** O programa de interrupção automática de carga baseia-se no princípio da detecção de picos de tensão: quando a tensão da bateria excede o limite, o processo é interrompido automaticamente.

**Limite automático da corrente de carga:** O carregamento de baterias NiCd e NiMH podem ser definido com o limite máximo corrente de carga. É útil para baterias com baixa impedância e capacidade ao serem carregadas no modo automático.

**Limite de capacidade:** A capacidade de carga é sempre calculada multiplicando a corrente de carga pelo tempo. Se a capacidade de carga excede o limite, o processo será encerrado automaticamente quando atingir o valor máximo.

**Temperatura limite:** A reação química dano interior da bateria fará subir a temperatura da bateria. Se atingir o limite de temperatura o processo termina automaticamente. Disponível apenas com a sonda de temperatura opcional.

**Tempo limite para o processo:** Pode configurar o carregador com um tempo máximo para o processo a fim de evitar qualquer possível efeito.

**Armazenamento e carregamento de dados:** O carregador tem um banco de memorização de dados para um máximo de cinco baterias. Podem ser armazenados e carregados vários programas de acordo com a sua conveniência.

**Carga e descarga cíclica:** A fim de estimular a atividade da bateria, estão disponíveis entre um a cinco programas cíclicos e contínuos de carga-descarga ou descarga-carga, com o objetivo de refrescar e equilibrar a bateria.

## 6. Descrição

Ver as figuras da página 2 deste manual do utilizador.

|          |                   |
|----------|-------------------|
| <b>1</b> | ecrã LCD          |
| <b>2</b> | porta JST XH      |
| <b>3</b> | saída para carga  |
| <b>4</b> | botão START/ENTER |

|          |                                  |
|----------|----------------------------------|
| <b>5</b> | botão DECREASE/INCREASE          |
| <b>6</b> | botão TYPE/STOP para a bateria   |
| <b>7</b> | porta para sensor de temperatura |

## 7. Menu - Programa Fluxograma

Consulte as imagens na página 3 deste manual.



## 8. Diagrama de Conexão

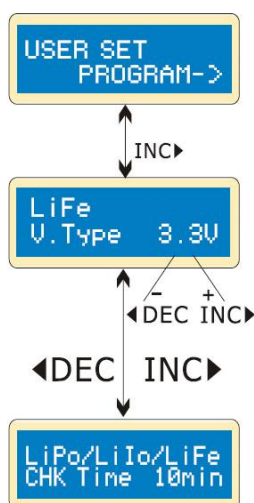
Por favor ligue a sua bateria e o carregado do modo que se segue ao usa o modo de carga nivelador. A bateria principal tem de estar conectada com o conector de nivelamento antes de começar a carregar. Se não proceder deste modo irá danificar o carregador!



## 9. Utilização

### 9.1 Configuração Inicial

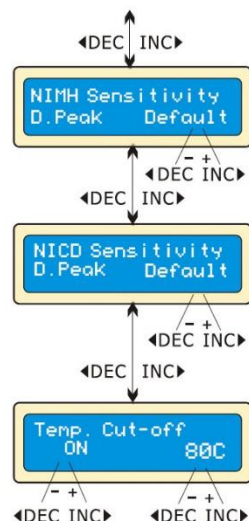
Por defeito, este carregador estará configurado com as definições do utilizador ao conectar pela primeira vez uma carga de 11-18 V. Para alterar os parâmetros, pressione STAR/ENTER e altere o valor usando INC/DEC. Guarde o valor pressionando START/ENTER uma vez.



#### Ecrã Inicial

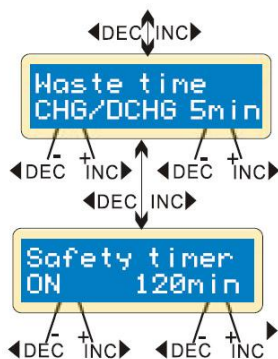
Este ecrã exibe a tensão nominal da bateria de lítio. Existem três tipos de baterias de lítio: Li-Fe (3.3 V), Li-Io (3.6 V) e Li-poly (3.7 V). Isto é muito importante para uma configuração correta visto que um valor errado pode danificar a bateria durante o processo de carga.

Este carregador reconhece automaticamente o tipo de bateria. No entanto, uma bateria profundamente descarregada pode ser identificada incorretamente. Para evitar erros e danos, por favor defina o tempo de duração - de cerca de 10 minutos ou mais para baterias maiores - de modo a que o carregador reconheça a bateria corretamente. Em caso de dúvida, opte pela configuração por defeito.



Indicação da tensão de disparo para a finalização da carga automática de baterias NiMH e NiCd. O valor efetivo varia desde 5 até 20 mV por célula. Se o valor definido for superior, existe o perigo de sobrecarga da bateria. Se for inferior, há a possibilidade de a carga terminar prematuramente. Por favor consulte as especificações da bateria (NiCd por defeito: 12 mV, NiMH por defeito: 7 mV).

Uma função opcional é a opção de corte com base na temperatura através de uma sonda em contacto com a superfície da bateria. Se esta opção estiver ativa, defina a temperatura máxima que o carregador deve permitir que a bateria atinja durante a carga. Assim que a bateria atingir esta temperatura durante o carregamento, o processo será interrompido de modo a proteger a bateria.

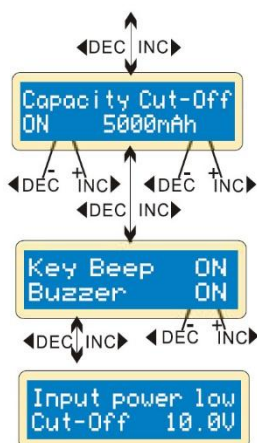


A bateria aquece após cada ciclo de carga/descarga. O programa introduzirá um período de tempo após cada ciclo de carga/descarga para permitir à bateria arrefecer antes de ser iniciado o novo ciclo. O valor válido varia ente 0 e 60 minutos.

Assim que o processo de carga é iniciado, o temporizador de segurança integrado começa a contar em simultâneo. Se for detetado algum erro ou se o circuito de finalização não conseguir detetar se a bateria está totalmente carregada ou não, o carregador está programado para prevenir uma eventual sobrecarga.

### Configurar o Temporizador de Segurança

| capacidade em mAh | corrente | temporizador de segurança                  |
|-------------------|----------|--|
| 2000              | 2.0 A    | $(2000/2.0 = 1000)/11.9 = 84 \text{ min.}$ |
| 3300              | 3.0 A    | $(3300/3.0 = 1100)/11.9 = 92 \text{ min.}$ |
| 1000              | 1.2 A    | $(1000/1.2 = 833)/11.9 = 70 \text{ min.}$  |



O programa oferece máxima proteção. Se o pico de tensão não for detectado ou se o temporizador atingir o limite de tempo, o processo de carga pára automaticamente assim que a bateria alcançar a capacidade máxima de carga definida pelo utilizador.

Ouve-se um sinal sonoro sempre que um botão é pressionado ou é selecionado um modo diferente. A função de sinal sonoro pode ser ativada ou desativada.

Esta função monitoriza a tensão da bateria de alimentação usada para ativar o carregador. Se a tensão for inferior à definida pelo utilizador, o programa é interrompido forçosamente para proteger a bateria de alimentação.

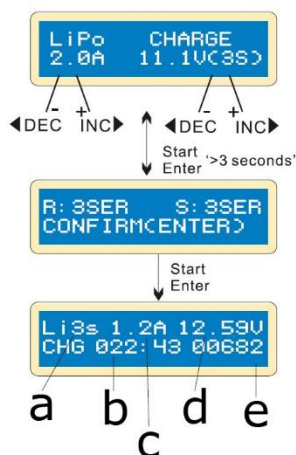
## 9.2 O Programa Lítio (Li-ion, Li-poly, Li-Fe)

Este carregador só é indicado para carregar baterias de lítio com uma tensão nominal de 3.3, 3.6 ou 3.7 V. Baterias diferentes exigem técnicas de carga diferentes. Existem dois métodos de carga: o método de tensão constante e o método de corrente constante. A corrente de carga varia em função da capacidade e especificação da bateria. A tensão final é muito importante e deve ser coincidente com a tensão da bateria: Li-poly é 4.2 V, Li-ion é 4.1 V e Li-Fe é 3.6 V.

Se pretender alterar os parâmetros, pressione START/ENTER para seleccionar e alterar o valor com INC/DEC. Guarde o valor pressionando START/ENTER uma vez.

### Carregar uma Bateria de Lítio no Modo Carga

Este modo carregará uma bateria Li-poly, Li-ion, ou Li-Fe sem que haja nivelamento.



O ecrã indica o tipo de bateria com o valor de corrente definido pelo utilizador (esquerda) e o valor de carga (direita). Mantenha START/ENTER pressionado durante 3 segundos para iniciar o processo de carregamento.

No ecrã aparece o número de células definido pelo utilizador. R apresenta o número de células detectadas pelo carregador; S apresenta o número de células previamente definido. Se ambos os números forem coincidentes, pode iniciar o processo de carregamento pressionando START/ENTER. Caso contrário, pressione TYPE/STOP para voltar ao ecrã anterior e verificar atentamente o número de células da bateria.

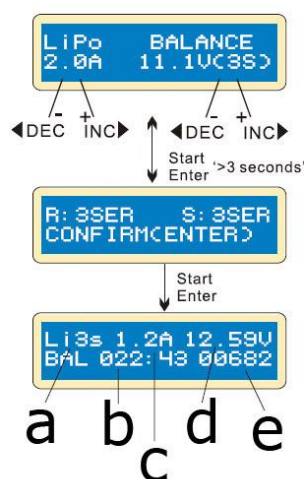
O ecrã apresenta o estado da carga em tempo real. Pressione TYPE/STOP para interromper o processo de carregamento.

- número de células
- tempo de carregamento
- corrente de carga
- tensão da bateria
- capacidade carregada

### Carregar uma Bateria de Lítio no Modo Equilíbrio

Este modo nivela a tensão das células da bateria Li-poly enquanto carrega. Neste modo, a bateria necessita de um cabo conectado à porta de nivelamento individual. O cabo de alimentação da bateria tem de estar ligado à saída do carregador.

O carregamento neste modo é diferente do que é feito nos modos normais, uma vez que o processador incorporado monitoriza a tensão das células individuais e controla a corrente de entrada que alimenta cada célula para a tensão equalizada da célula individual.



No ecrã aparece o tipo de bateria com o valor de corrente definido pelo utilizador (esquerda) e o calor de carga (direita). Mantenha START/ENTER pressionado durante 3 segundos para iniciar o processo de carregamento.

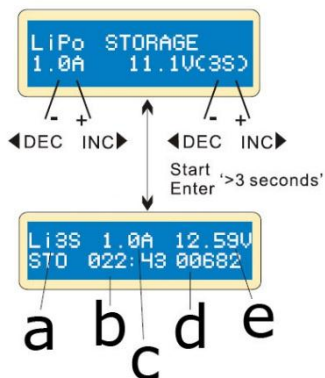
No ecrã aparece o número de células definido pelo utilizador. R apresenta o número de células detectadas pelo carregador; S apresenta o número de células previamente definido. Se ambos os números forem coincidentes, pode iniciar o processo de carregamento pressionando START/ENTER. Caso contrário, pressione TYPE/STOP para voltar ao ecrã anterior e verificar atentamente o número de células da bateria.

O ecrã apresenta o estado da carga em tempo real. Pressione TYPE/STOP para interromper o processo de carregamento.

- número de células
- tempo de carregamento
- corrente de carga
- tensão da bateria
- capacidade carregada

### Carregar uma Bateria de Lítio no Modo Rápido

A corrente de carga diminui quando o processo de carregamento começa a chegar ao fim. Um processo CV específico será reduzido para terminar o processo de carregamento mais cedo. Na verdade, a corrente de carregamento irá a 1/5 quando o processo de carregamento é de 1/10. A capacidade de carga será um pouco menor do que a carga normal, mas o tempo de carregamento será reduzido em conformidade.



Aqui, pode definir a corrente e a tensão da bateria. A carga e a descarga farão a bateria voltar o nível de tensão de armazenamento.

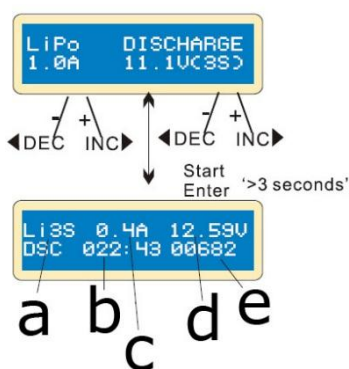
O ecrã mostra o estado do carregamento em tempo real. Pressione TYPE/STOP para interromper o processo de carregamento.

- a. número de células
- b. tempo decorrido
- c. corrente de carga ou descarga
- d. capacidade fornecida
- e. tensão da bateria atual

### Carregar um Bateria de Lítio no Modo Armazenamento

Esta função é muito útil sempre que deseja carregar ou descarregar uma bateria que não vai ser utilizada de imediato. Este programa só deve ser usado com as seguintes baterias: Li-poly de 3.85 V, Li-ion de 3.75 V e Li-Fe de 3.3 V. A bateria será descarregada caso o seu estado original exceda o nível de tensão para armazenamento.

### Descarregar uma Bateria de Lítio



O ecrã apresenta o estado de descarregamento em tempo real. Pressione TYPE/STOP para interromper o processo de descarga.

O valor da corrente de descarga, à esquerda, não deve exceder 1.0 A; o valor à direita não deve descer abaixo do valor de tensão recomendado pelo fabricante para evitar a descarga. Pressione START/ENTER durante 3 segundos para iniciar o processo de carregamento.

- a. número de células
- b. tempo decorrido
- c. corrente de descarga
- d. tensão da bateria
- e. capacidade descarregada

### Equilíbrio e Monitorização da Tensão Durante o Processo de Descarga

Durante a carga para armazenamento, o carregado monitoriza a tensão de cada uma das células. Ao detectar uma célula anormal, o carregado dá indicação do erro e interrompe o processo. Pressione INC para visualizar a célula danificada.

```
BATTERY VOL ERR
CELL LOW VOL
```

O carregado indica que a tensão é demasiado baixa.

↓ INC ▶

```
4.14 4.16 4.09
2.18 0.00 0.00
```

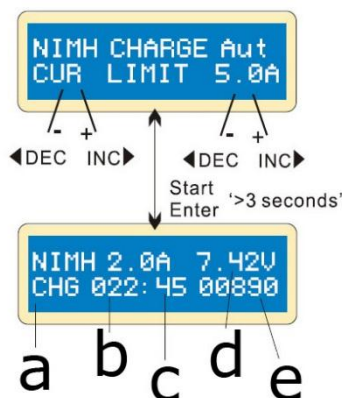
A 4ª célula estava danificada. O valor desceu para 0 caso tenha ocorrido uma desconexão.

### 9.3 O Programa Níquel (NiCd, NiMH)

#### Carregar uma Bateria NiCd/NiMH no Modo Carregamento

Este programa irá carregar a bateria usando a corrente definida pelo utilizador. Recomenda-se que defina cuidadosamente o limite máximo de corrente para evitar danos por carga excessiva. Algumas baterias com baixa resistência e capacidade podem suportar uma corrente mais elevada no modo de carregamento automático.

No modo manual, a carga será feita na corrente definida. Pressione INC/DEC para alternar entre o modo automático e o modo manual.

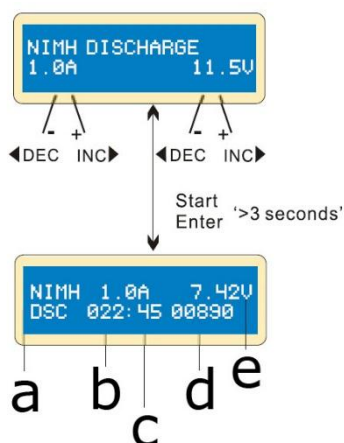


Este programa é muito útil para carregar baterias NiCd/NiMH usadas em aplicações R/C. Pressione START/STOP para selecionar o programa, e altere o valor do parâmetro com INC/DEC. Pressione START/ENTER novamente para guardar os valores definidos.

O ecrã apresenta o estado da descarga em tempo real. Pressione TYPE/STOP para interromper o processo de carga.

- a. tipo de bateria
- b. tempo decorrido
- c. corrente de carga
- d. tensão da bateria
- e. capacidade carregada

## Descarregar uma Bateria NiCd/NiMH

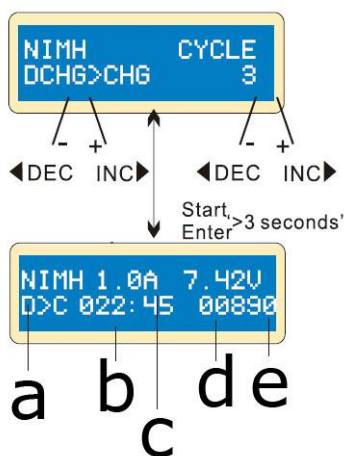


Este ecrã mostra a corrente de carga (esquerda) e a tensão final(direita). A amplitude da corrente é de 0.1-1.0 A; A amplitude da tensão é de 0.1-25.0 V. Inicie o programa de descarga pressionando START/ENTER durante 3 segundos.

O ecrã apresenta o estado da descarga. Pressione START/ENTER para alterar a corrente de descarga, pressione novamente para guardar o valor. Pressione TYPE/STOP para terminar o processo de descarga.

- a. tipo de bateria
- b. tempo decorrido
- c. corrente de descarga
- d. tensão da bateria
- e. capacidade descarregada

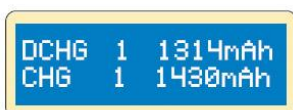
## Ciclo de Carga/Descarga e Descarga/Carga de uma Bateria NiCd/NiMH



Configure a sequêndia do lado esquerdo e o número de ciclos do lado direito. O número de ciclos varia de 1 a 5.

Pressione TYPE/STOP para terminar o processo, pressione START/ENTER para alterar a corrente de carga.

- a. tipo de bateria
- b. tempo decorrido
- c. corrente de carga ou descarga
- d. tensão da bateria
- e. capacidade carregada ou descarregada



Ao aproximar-se o final do processo, poderá ver que parte da capacidade da bateria está a ser carregada ou descarregada. Pressione INC/DEC para ver o resultado.

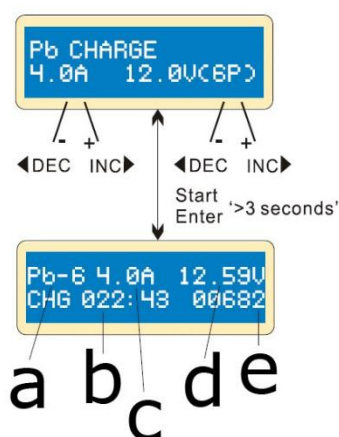


## 9.4 O Programa Chumbo-Ácido (Pb)

### Carregar uma Bateria Pb no Modo de Carregamento

Este programa só é indicado para carregar baterias chumbo-ácido com uma tensão nominal de 2 a 20 V. A bateria de chumbo-ácido é competamente diferente da bateria NiCd/NiMH. Estas apenas podem distribuir uma corrente mais baixa do que a sua capacidade. A mesma restrição se aplica ao processo de carregamento. Consequentemente, a corrente de carga ideal só pode ser 1/10 da sua capacidade. O carregamento rápido não é indicado para as baterias de chumbo-ácido.

Devido às características químicas da bateria de chumbo-ácido, o ponto de corte é por vezes difícil de detectar. Recomenda-se a utilização da função de corte da capacidade de modo a proteger a bateria. Pressione START/ENTER para ativar a função, modifique os parâmetros com INC/DEC, e confirme com START/ENTER.

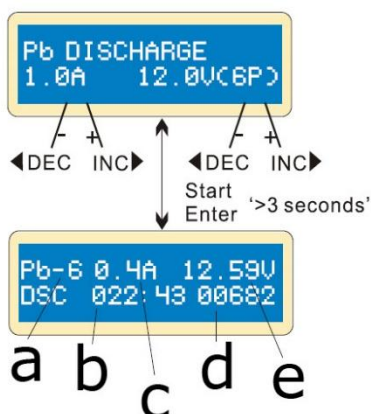


Defina a corrente de carga (esquerda) e a tensão nominal (direita). A corrente varia de 0.1 a 5.0 A. A tensão deve coincidir com a tensão da bateria a ser carregada. Inicie o processo de carga pressionando START/ENTER durante 3 segundos.

O ecrã apresenta o estado da carga em tempo real. Pressione START/ENTER para alterar a corrente de carga, pressione novamente para guardar o valor. Pressione TYPE/STOP durante 3 segundos para interromper o processo de carga.

- tipo de bateria
- tempo decorrido
- corrente de carga
- tensão da bateria
- capacidade carregada

### Descarregar uma Bateria Pb



Defina a corrente de carga (esquerda) e a tensão nominal (direita). A corrente varia de 0.1 a 1.0 A. A tensão deve coincidir com a tensão da bateria a ser descarregada. Inicie o processo de descarga pressionando START/ENTER durante 3 segundos.

O ecrã apresenta o estado da descarga em tempo real. Pressione START/ENTER para alterar a corrente de descarga, pressione novamente para guardar o valor. Pressione TYPE/STOP durante 3 segundos para interromper o processo de descarga.

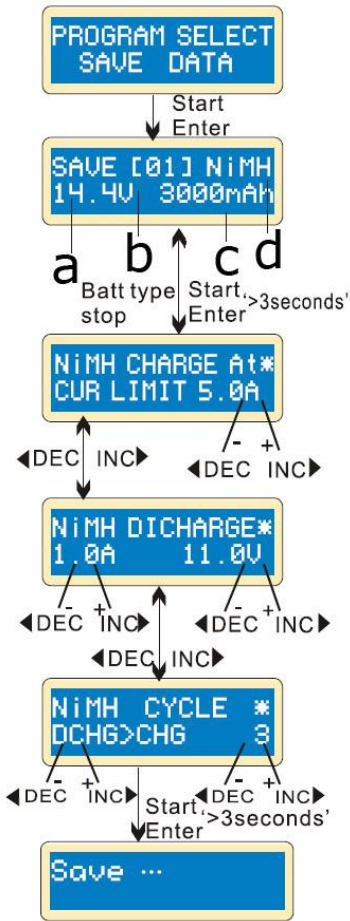
- tipo de bateria
- tempo decorrido
- corrente de descarga
- tensão da bateria
- capacidade descarregada

### 9.5 Programa de Armazenamento de Dados

Para sua comodidade, o carregador possui um programa de armazenamento e carregamento de dados. Pode guardar os dados relativos a cinco baterias representando as especificações das respectivas baterias. Pode recuperar os dados enquanto carrega ou descarrega sem necessidade de iniciar o programa novamente.

#### Guardar um Programa

Pressione START/ENTER para selecionar e defina os parâmetros com INC/DEC.



Definir os parâmetros no ecrã não vai interferir com o processo de carga ou descarga; estes apenas representam as especificações da bateria. Neste exemplo, trata-se de uma bateria NiMH com 12 células e uma capacidade de 3000 mAh.

Define a corrente de carga no modo manual ou o limite de corrente no modo automático. Em simultâneo, pressione INC e DEC para passar para o modo de carga.

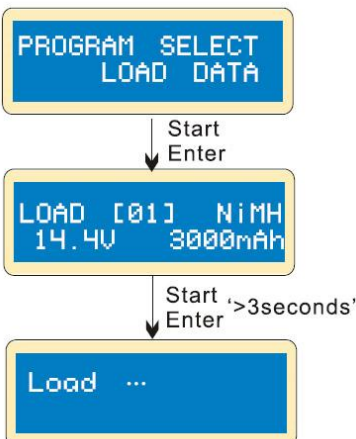
Defina a corrente de descarga e a tensão final.

Defina a sequência de carga ou descarga e o número de ciclos.

Gravar os dados.

- a. voltagem
- b. número de dados
- c. capacidade
- d. tipo de bateria

#### Carregar um Programa



Escolha o número de dados que gostaria de carregar.

A carregar os dados.



## 10. informação exibida

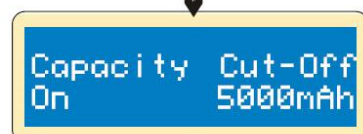
Este carregador permite obter várias informações durante a carga e descarga. Pressione DEC para visualizar as definições do utilizador, pressione INC para monitorizar a tensão enquanto a bateria está conectada a cada uma das portas do carregador.



End Voltage  
12.6v(3s)

O ecrã apresenta a tensão final na parte final do programa.

◀DEC ↓



Capacity Cut-Off  
On 5000mAh

O ecrã indica o valor de capacidade definido e que a função de corte foi ativada.

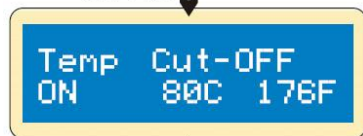
◀DEC ↓



Safety Timer  
ON 200min

O ecrã indica a duração em minutos e que o temporizador de segurança foi ativado.

◀DEC ↓



Temp Cut-OFF  
ON 80C 176F

O ecrã indica que a função de corte de temperatura foi ativada.

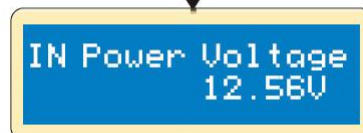
◀DEC ↓



Ext. Temp 26C

O ecrã mostra a temperatura externa (apenas se estiver a usar uma sonda de temperatura).

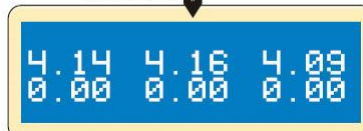
◀DEC ↓



IN Power Voltage  
12.56V

O ecrã indica a tensão de entrada atual.

◀DEC ↓



4.14 4.16 4.09  
0.00 0.00 0.00

Se a bateria estiver ligada por cabo, é apresentada a tensão de cada uma das células.

## 11. Avisos e Mensagens de Erro

Em caso de falha, o carregador indica a causa do erro e emite um sinal sonoro de aviso.

|                                  |   |
|----------------------------------|---|
| REVERSE POLARITY                 | Polaridade Incorreta  |
| CONNECTION BREAK                 | A conexão da bateria foi interrompida.  |
| SHORT ERR                        | Curto-circuito no terminal de saída.  |
| INPUT VOL ERR                    | Erro de tensão na entrada.  |
| VOL SELECT ERR                   | Seleção incorreta da tensão do pack da bateria.   |
| BREAK DOWN                       | Carregador defeituoso. Por favor, contacte o seu fornecedor.  |
| BATTERY CHECK<br>LOW VOLTAGE     | A tensão do pack da bateria é mais baixa do que o valor definido. Verifique o número de células.      |
| BATTERY CHECK<br>HIGH VOLTAGE    | A tensão do pack da bateria é mais alta do que o valor definido. Verifique o número de células.       |
| BATTERY VOLTAGE<br>CELL LOW VOL  | A tensão de uma das células é demasiado baixa. Por favor, verifique a tensão de cada uma das células. |
| BATTERY VOLTAGE<br>CELL HIGH VOL | A tensão de uma das células é demasiado alta. Por favor, verifique a tensão de cada uma das células.  |
| BATTERY VOL ERR<br>CELL CONNECT  | Ligação incorreta. Por favor, verifique o conector e o cabo.  |
| CONTROL FAILURE                  | O processador não consegue controlar a entrada de corrente. Por favor, contacte o seu fornecedor.     |

## 12. Potência Máxima do Circuito

A potência total do circuito deste carregador: (1) carga: 50 W, (2) descarga: 5 W.

Para uma bateria com uma tensão superior a 10 V, a quantidade real de corrente de carga que passa para a bateria será automaticamente limitada. A corrente de alimentação real será como se segue:

| tipo de bateria | nº de células | tensão nominal (V) | máx. tensão de carga (V) | corrente de carga (A) | corrente de descarga (A) |
|-----------------|---------------|--------------------|--------------------------|-----------------------|--------------------------|
| NiCd/NiMH       | 1             | 1.20               | 1.50                     | 5.00                  | 1.00                     |
|                 | 2             | 2.40               | 3.00                     | 5.00                  | 1.00                     |
|                 | 3             | 3.60               | 4.50                     | 5.00                  | 1.00                     |
|                 | 4             | 4.80               | 6.00                     | 5.00                  | 0.83                     |
|                 | 5             | 6.00               | 7.50                     | 5.00                  | 0.67                     |
|                 | 6             | 7.20               | 9.00                     | 5.00                  | 0.56                     |
|                 | 7             | 8.40               | 10.50                    | 5.00                  | 0.48                     |
|                 | 8             | 9.60               | 12.00                    | 5.00                  | 0.42                     |
|                 | 9             | 10.80              | 13.50                    | 4.63                  | 0.37                     |
|                 | 10            | 12.00              | 15.00                    | 4.17                  | 0.33                     |
|                 | 11            | 13.20              | 16.50                    | 3.79                  | 0.30                     |
|                 | 12            | 14.40              | 18.00                    | 3.47                  | 0.28                     |
|                 | 13            | 15.60              | 19.50                    | 3.21                  | 0.26                     |
|                 | 14            | 16.80              | 21.00                    | 2.98                  | 0.24                     |
|                 | 15            | 18.00              | 22.50                    | 2.78                  | 0.22                     |
| Li-poly         | 1S            | 3.70               | 4.20                     | 5.00                  | 1.00                     |
|                 | 2S            | 7.40               | 8.40                     | 5.00                  | 0.60                     |
|                 | 3S            | 11.10              | 12.60                    | 4.50                  | 0.40                     |
|                 | 4S            | 14.80              | 16.80                    | 3.38                  | 0.30                     |
|                 | 5S            | 18.50              | 21.00                    | 2.70                  | 0.24                     |
|                 | 6S            | 22.20              | 25.20                    | 2.25                  | 0.20                     |
| Li-Fe           | 1S            | 3.30               | 3.60                     | 5.00                  | 1.00                     |
|                 | 2S            | 6.60               | 7.20                     | 5.00                  | 0.69                     |
|                 | 3S            | 9.90               | 10.80                    | 5.00                  | 0.46                     |
|                 | 4S            | 13.20              | 14.40                    | 3.79                  | 0.35                     |
|                 | 5S            | 16.50              | 18.00                    | 3.03                  | 0.28                     |
|                 | 6S            | 19.80              | 21.60                    | 2.53                  | 0.23                     |
| Li-ion          | 1S            | 3.60               | 4.10                     | 5.00                  | 1.00                     |
|                 | 2S            | 7.20               | 8.20                     | 5.00                  | 0.61                     |
|                 | 3S            | 10.80              | 12.30                    | 4.63                  | 0.41                     |
|                 | 4S            | 14.40              | 16.40                    | 3.47                  | 0.30                     |
|                 | 5S            | 18.00              | 20.50                    | 2.78                  | 0.24                     |
|                 | 6S            | 21.60              | 24.60                    | 2.31                  | 0.20                     |
| Pb              |               | 6.00               | 6.90                     | 5.00                  | 0.72                     |
|                 |               | 8.00               | 9.20                     | 5.00                  | 0.54                     |
|                 |               | 10.00              | 11.50                    | 5.00                  | 0.43                     |
|                 |               | 12.00              | 13.80                    | 4.17                  | 0.36                     |
|                 |               | 14.00              | 16.10                    | 3.57                  | 0.31                     |
|                 |               | 16.00              | 18.40                    | 3.13                  | 0.27                     |
|                 |               | 18.00              | 20.70                    | 2.78                  | 0.24                     |
|                 |               | 20.00              | 23.00                    | 2.50                  | 0.22                     |

### 13. Limpeza e manutenção

Esta lâmpada não necessita de qualquer manutenção especial. Limpe regularmente a lâmpada com um pano húmido. Não use químicos, solventes ou detergentes abrasivos.

Se o cabo estiver danificado, ele deve ser substituído pelo fabricante ou serviço técnico ou qualquer pessoa qualificada para evitar qualquer dano.

### 14. Especificações

|  |   |
|--|---|
| tecnologia .....   | NiCd, NiMh, Li-ion, Li-poly, Li-Fe, chumbo      |
| desenho  |   |
| Contagem de células de bateria NiCd/NiMh .....                                 | 1-5 células                                     |
| Contagem de células Li-ion/Fe/Polymer .....                                    | 1-6 células                                     |
| amplitude da tensão de funcionamento .....                                     | 11-18 V $\overline{=}$ (adaptador não incluído) |
| amplitude da corrente de carga .....   | 0,1 A   |
| discharge current range .....  | 0,1 A   |
| máx. potência de carga .....   | 50 W  |
| máx. potência de desgarga .....  | 5 W   |
| fuga de corrente para equilíbrio Li-poli .....                                 | 300 mA/célula                                   |
| tensão da bateria PB .....   | 2-20 V  |
| inclui .....   | ficha de carga JST-XH                           |
| ..... (compatível com Zippy, HXT, Loong Max e qualquer pack com adaptador JST) |   |
| dimensões .....  | 133 x 87 x 33 mm                                |
| peso .....   | 277 g   |

**Utilize este aparelho apenas com acessórios originais. A Velleman NV não será responsável por quaisquer danos ou lesões causados pelo uso (indevido) do aparelho. Para mais informação sobre este produto e para aceder à versão mais recente deste manual do utilizador, visite a nossa página [www.velleman.eu](http://www.velleman.eu). Podem alterar-se as especificações e o conteúdo deste manual sem aviso prévio.**

#### © DIREITOS DE AUTOR

**A Velleman NV detém os direitos de autor deste manual do utilizador. Todos os direitos mundiais reservados.** É estritamente proibido reproduzir, traduzir, copiar, editar e gravar este manual do utilizador ou partes deste sem prévia autorização escrita por parte da detentora dos direitos.

**EN****Velleman® Service and Quality Warranty**

Since its foundation in 1972, Velleman® acquired extensive experience in the electronics world and currently distributes its products in over 85 countries. All our products fulfil strict quality requirements and legal stipulations in the EU. In order to ensure the quality, our products regularly go through an extra quality check, both by an internal quality department and by specialised external organisations. If, all precautionary measures notwithstanding, problems should occur, please make appeal to our warranty (see guarantee conditions).

**General Warranty Conditions Concerning Consumer Products (for EU):**

- All consumer products are subject to a 24-month warranty on production flaws and defective material as from the original date of purchase.
- Velleman® can decide to replace an article with an equivalent article, or to refund the retail value totally or partially when the complaint is valid and a free repair or replacement of the article is impossible, or if the expenses are out of proportion.

You will be delivered a replacing article or a refund at the value of 100% of the purchase price in case of a flaw occurred in the first year after the date of purchase and delivery, or a replacing article at 50% of the purchase price or a refund at the value of 50% of the retail value in case of a flaw occurred in the second year after the date of purchase and delivery.

**• Not covered by warranty:**

- all direct or indirect damage caused after delivery to the article (e.g. by oxidation, shocks, falls, dust, dirt, humidity...), and by the article, as well as its contents (e.g. data loss), compensation for loss of profits;
- consumable goods, parts or accessories that are subject to an aging process during normal use, such as batteries (rechargeable, non-rechargeable, built-in or replaceable), lamps, rubber parts, drive belts... (unlimited list);
- flaws resulting from fire, water damage, lightning, accident, natural disaster, etc....;
- flaws caused deliberately, negligently or resulting from improper handling, negligent maintenance, abusive use or use contrary to the manufacturer's instructions;
- damage caused by a commercial, professional or collective use of the article (the warranty validity will be reduced to six (6) months when the article is used professionally);
- damage resulting from an inappropriate packing and shipping of the article;
- all damage caused by modification, repair or alteration performed by a third party without written permission by Velleman®.
- Articles to be repaired must be delivered to your Velleman® dealer, solidly packed (preferably in the original packaging), and be completed with the original receipt of purchase and a clear flaw description.
- Hint: In order to save on cost and time, please reread the manual and check if the flaw is caused by obvious causes prior to presenting the article for repair. Note that returning a non-defective article can also involve handling costs.
- Repairs occurring after warranty expiration are subject to shipping costs.
- The above conditions are without prejudice to all commercial warranties.

**The above enumeration is subject to modification according to the article (see article's manual).**

**NL****Velleman® service- en kwaliteitsgarantie**

Velleman® heeft sinds zijn oprichting in 1972 een ruime ervaring opgebouwd in de elektronica wereld en verdeelt op dit moment producten in meer dan 85 landen. Al onze producten beantwoorden aan strikte kwaliteitseisen en aan de wettelijke bepalingen geldig in de EU. Om de kwaliteit te waarborgen, ondergaan onze producten op regelmatige tijdstippen een extra kwaliteitscontrole, zowel door onze eigen kwaliteitsafdeling als door externe gespecialiseerde organisaties. Mocht er ondanks deze voorzorgen toch een probleem optreden, dan kunt u steeds een beroep doen op onze waarborg (zie waarborgvoorwaarden).

**Algemene waarborgvoorwaarden consumentengoederen (voor Europese Unie):**

- Op alle consumentengoederen geldt een garantieperiode van 24 maanden op productie- en materiaalfouten en dit vanaf de oorspronkelijke aankoopdatum.
- Indien de klacht gegrond is en een gratis reparatie of vervanging van een artikel onmogelijk is of indien de kosten hiervoor buiten verhouding zijn, kan Velleman® beslissen het desbetreffende artikel te vervangen door een gelijkwaardig artikel of de aankoopsum van het artikel gedeeltelijk of volledig terug te betalen. In dat geval krijgt u een vervangend product of terugbetaling ter waarde van 100% van de aankoopsum bij ontdekking van een gebrek tot één jaar na aankoop en levering, of een vervangend product tegen 50% van de kostprijs of terugbetaling van 50% bij ontdekking na één jaar tot 2 jaar.

**• Valt niet onder waarborg:**

- alle rechtstreekse of onrechtstreekse schade na de levering veroorzaakt aan het toestel (bv. door oxidatie, schokken, val, stof, vuil, vocht...), en door het toestel, alsook zijn inhoud (bv. verlies van data), vergoeding voor eventuele winstderving.
- verbruiksgoederen, onderdelen of hulpstukken die onderhevig zijn aan veroudering door normaal gebruik zoals bv. batterijen (zowel oplaadbare als niet-oplaadbare, ingebouwd of vervangbaar), lampen, rubberen onderdelen, aandrijfriemen... (onbeperkte lijst).
- defecten ten gevolge van brand, waterschade, bliksem, ongevallen, natuurrampen, enz.
- defecten veroorzaakt door opzet, nalatigheid of door een onoordeelkundige behandeling, slecht onderhoud of abnormaal gebruik of gebruik van het toestel strijdig met de voorschriften van de fabrikant.
- schade ten gevolge van een commercieel, professioneel of collectief gebruik van het apparaat (bij professioneel gebruik wordt de garantieperiode herleid tot 6 maand).
- schade veroorzaakt door onvoldoende bescherming bij transport van het apparaat.
- alle schade door wijzigingen, reparaties of modificaties uitgevoerd door derden zonder toestemming van Velleman®.
- Toestellen dienen ter reparatie aangeboden te worden bij uw Velleman®-verdelers. Het toestel dient vergezeld te zijn van het oorspronkelijke aankoopbewijs. Zorg voor een degelijke verpakking (bij voorkeur de originele verpakking) en voeg een duidelijke foutomschrijving bij.
- Tip: alvorens het toestel voor reparatie aan te bieden, kijk nog eens na of er geen voor de hand liggende reden is waarom het toestel niet naar behoren werkt (zie handleiding). Op deze wijze kunt u kosten en tijd besparen. Denk eraan dat er ook voor niet-defecte toestellen een kost voor controle aangerekend kan worden.
- Bij reparaties buiten de waarborgperiode zullen transportkosten aangerekend worden.
- Elke commerciële garantie laat deze rechten onverminderd.

**Bovenstaande opsomming kan eventueel aangepast worden naargelang de aard van het product (zie handleiding van het betreffende product).**

**FR****Garantie de service et de qualité Velleman®**

Depuis 1972, Velleman® a gagné une vaste expérience dans le secteur de l'électronique et est actuellement distributeur dans plus de 85 pays. Tous nos produits répondent à des exigences de qualité rigoureuses et à des dispositions légales en vigueur dans l'UE. Afin de garantir la qualité, nous soumettons régulièrement nos produits à des contrôles de qualité supplémentaires, tant par notre propre service qualité que par un service qualité externe. Dans le cas improbable d'un défaut malgré toutes les précautions, il est possible d'invoquer notre garantie (voir les conditions de garantie).

**Conditions générales concernant la garantie sur les produits grand public (pour l'UE) :**

- tout produit grand public est garanti 24 mois contre tout vice de production ou de matériaux à dater du jour d'acquisition effective ;
- si la plainte est justifiée et que la réparation ou le remplacement d'un article est jugé impossible, ou lorsque les coûts s'avèrent disproportionnés, Velleman® s'autorise à remplacer ledit article par un article équivalent ou à rembourser la totalité ou une partie du prix d'achat. Le cas échéant, il vous sera consenti un article de remplacement ou le remboursement complet du prix d'achat lors d'un défaut dans un délai de 1 an après l'achat et la livraison, ou un article de remplacement moyennant 50% du prix d'achat ou le remboursement de 50% du prix d'achat lors d'un défaut après 1 à 2 ans.

**• sont par conséquent exclus :**

- tout dommage direct ou indirect survenu à l'article après livraison (p.ex. dommage lié à l'oxydation, choc, chute, poussière, sable, impureté...) et provoqué par l'appareil, ainsi que son contenu (p.ex. perte de données) et une indemnisation éventuelle pour perte de revenus ;
- toute pièce ou accessoire nécessitant un remplacement causé par un usage normal comme p.ex. piles (rechargeables comme non rechargeables, intégrées ou remplaçables), ampoules, pièces en caoutchouc, courroies... (liste illimitée) ;
- tout dommage qui résulte d'un incendie, de la foudre, d'un accident, d'une catastrophe naturelle, etc. ;
- out dommage provoqué par une négligence, volontaire ou non, une utilisation ou un entretien incorrect, ou une utilisation de l'appareil contraire aux prescriptions du fabricant ;
- tout dommage à cause d'une utilisation commerciale, professionnelle ou collective de l'appareil (la période de garantie sera réduite à 6 mois lors d'une utilisation professionnelle) ;
- tout dommage à l'appareil qui résulte d'une utilisation incorrecte ou différente que celle pour laquelle il a été initialement prévu comme décrit dans la notice ;
- tout dommage engendré par un retour de l'appareil emballé dans un conditionnement non ou insuffisamment protégé.
- toute réparation ou modification effectuée par une tierce personne sans l'autorisation explicite de SA Velleman® ; - frais de transport de et vers Velleman® si l'appareil n'est plus couvert sous la garantie.
- toute réparation sera fournie par l'endroit de l'achat. L'appareil doit nécessairement être accompagné du bon d'achat d'origine et être dûment conditionné (de préférence dans l'emballage d'origine avec mention du défaut) ;
- tuyau : il est conseillé de consulter la notice et de contrôler câbles, piles, etc. avant de retourner l'appareil. Un appareil retourné jugé défectueux qui s'avère en bon état de marche pourra faire l'objet d'une note de frais à charge du consommateur ;
- une réparation effectuée en-dehors de la période de garantie fera l'objet de frais de transport ;
- toute garantie commerciale ne porte pas atteinte aux conditions susmentionnées.

**La liste susmentionnée peut être sujette à une complémentation selon le type de l'article et être mentionnée dans la notice d'emploi.**

**ES****Garantía de servicio y calidad Velleman®**

Desde su fundación en 1972 Velleman® ha adquirido una amplia experiencia como distribuidor en el sector de la electrónica en más de 85 países. Todos nuestros productos responden a normas de calidad rigurosas y disposiciones legales vigentes en la UE. Para garantizar la calidad, sometemos nuestros productos regularmente a controles de calidad adicionales, tanto a través de nuestro propio servicio de calidad como de un servicio de calidad externo. En el caso improbable de que surgieran problemas a pesar de todas las precauciones, es posible recurrir a nuestra garantía (véase las condiciones de garantía).

**Condiciones generales referentes a la garantía sobre productos de venta al público (para la Unión Europea):**

- Todos los productos de venta al público tienen un período de garantía de 24 meses contra errores de producción o errores en materiales desde la adquisición original;
- Si la queja está fundada y si la reparación o sustitución de un artículo no es posible, o si los gastos son desproporcionados, Velleman® autoriza reemplazar el artículo por un artículo equivalente o reembolsar la totalidad o una parte del precio de compra. En este caso, usted recibirá un artículo de recambio o el reembolso completo del precio de compra si encuentra algún fallo hasta un año después de la compra y entrega, o un artículo de recambio al 50% del precio de compra o el reembolso del 50% del precio de compra si encuentra un fallo después de 1 año y hasta los 2 años después de la compra y entrega.

**Por consiguiente, están excluidos entre otras cosas:**

- todos los daños causados directa o indirectamente al aparato (p.ej. por oxidación, choques, caída,...) y a su contenido (p.ej. pérdida de datos) después de la entrega y causados por el aparato, y cualquier indemnización por posible pérdida de ganancias;
- partes o accesorios, que estén expuestos al desgaste causado por un uso normal, como por ejemplo baterías (tanto recargables como no recargables, incorporadas o reemplazables), bombillas, partes de goma, etc. (lista ilimitada);
- defectos causados por un incendio, daños causados por el agua, rayos, accidentes, catástrofes naturales, etc.;
- defectos causados a conciencia, descuido o por malos tratos, un mantenimiento inapropiado o un uso anormal del aparato contrario a las instrucciones del fabricante;
- daños causados por un uso comercial, profesional o colectivo del aparato (el período de garantía se reducirá a 6 meses con uso profesional);
- daños causados por un uso incorrecto o un uso ajeno al que está previsto el producto inicialmente como está descrito en el manual del usuario;
- daños causados por una protección insuficiente al transportar el aparato.
- daños causados por reparaciones o modificaciones efectuadas por una tercera persona sin la autorización explícita de Velleman® ;
- se calcula gastos de transporte de y a Velleman® si el aparato ya no está cubierto por la garantía.
- Cualquier artículo que tenga que ser reparado tendrá que ser devuelto a su distribuidor Velleman®. Devuelva el aparato con la factura de compra original y transportélo en un embalaje sólido (preferentemente el embalaje original). Incluya también una buena descripción del fallo;
- Consejo: Lea el manual del usuario y controle los cables, las pilas, etc. antes de devolver el aparato. Si no se encuentra un defecto en el artículo los gastos podrían correr a cargo del cliente;
- Los gastos de transporte correrán a carga del cliente para una reparación efectuada fuera del período de garantía.
- Cualquier gesto comercial no disminuye estos derechos.

**La lista previamente mencionada puede ser adaptada según el tipo de artículo (véase el manual del usuario del artículo en cuestión).**

**DE****Velleman® Service- und Qualitätsgarantie**

Seit der Gründung in 1972 hat Velleman® sehr viel Erfahrung als Verteiler in der Elektronikwelt in über 85 Ländern aufgebaut. Alle Produkte entsprechen den strengen Qualitätsforderungen und gesetzlichen Anforderungen in der EU. Um die Qualität zu gewährleisten werden unsere Produkte regelmäßig einer zusätzlichen Qualitätskontrolle unterworfen, sowohl von unserer eigenen Qualitätsabteilung als auch von externen spezialisierten Organisationen. Sollten, trotz aller Vorsichtsmaßnahmen, Probleme auftreten, nehmen Sie bitte die Garantie in Anspruch (siehe Garantiebedingungen).

**Allgemeine Garantiebedingungen in Bezug auf Konsumgüter (für die Europäische Union):**

- Alle Produkte haben für Material- oder Herstellungsfehler eine Garantieperiode von 24 Monaten ab Verkaufsdatum.
- Wenn die Klage berechtigt ist und falls eine kostenlose Reparatur oder ein Austausch des Gerätes unmöglich ist, oder wenn die Kosten dafür unverhältnismäßig sind, kann Velleman® sich darüber entscheiden, dieses Produkt durch ein gleiches Produkt zu ersetzen oder die Kaufsumme ganz oder teilweise zurückzuzahlen. In diesem Fall erhalten Sie ein Ersatzprodukt oder eine Rückzahlung im Werte von 100% der Kaufsumme im Falle eines Defektes bis zu 1 Jahr nach Kauf oder Lieferung, oder Sie bekommen ein Ersatzprodukt im Werte von 50% der Kaufsumme oder eine Rückzahlung im Werte von 50 % im Falle eines Defektes im zweiten Jahr.

**• Von der Garantie ausgeschlossen sind:**

- alle direkten oder indirekten Schäden, die nach Lieferung am Gerät und durch das Gerät verursacht werden (z.B. Oxidation, Stöße, Fall, Staub, Schmutz, Feuchtigkeit, ...), sowie auch der Inhalt (z.B. Datenverlust), Entschädigung für eventuellen Gewinnausfall.
- Verbrauchsgüter, Teile oder Zubehörteile, die durch normalen Gebrauch dem Verschleiß ausgesetzt sind, wie z.B. Batterien (nicht nur aufladbare, sondern auch nicht aufladbare, eingebaute oder ersetzbare), Lampen, Gummiteile, Treibriemen, usw. (unbeschränkte Liste).
- Schäden verursacht durch Brandschaden, Wasserschaden, Blitz, Unfälle, Naturkatastrophen, usw.
- Schäden verursacht durch absichtliche, nachlässige oder unsachgemäße Anwendung, schlechte Wartung, zweckfremdete Anwendung oder Nichtbeachtung von Benutzerhinweisen in der Bedienungsanleitung.
- Schäden infolge einer kommerziellen, professionellen oder kollektiven Anwendung des Gerätes (bei gewerblicher Anwendung wird die Garantieperiode auf 6 Monate zurückgeführt).
- Schäden verursacht durch eine unsachgemäße Verpackung und unsachgemäßen Transport des Gerätes.
- alle Schäden verursacht durch unautorisierte Änderungen, Reparaturen oder Modifikationen, die von einem Dritten ohne Erlaubnis von Velleman® vorgenommen werden.
- Im Fall einer Reparatur, wenden Sie sich an Ihren Velleman®-Verteiler. Legen Sie das Produkt ordnungsgemäß verpackt (vorzugsweise die Originalverpackung) und mit dem Original-Kaufbeleg vor. Fügen Sie eine deutliche Fehlerbeschreibung hinzu.
- Hinweis: Um Kosten und Zeit zu sparen, lesen Sie die Bedienungsanleitung nochmals und überprüfen Sie, ob es keinen auf der Hand liegenden Grund gibt, ehe Sie das Gerät zur Reparatur zurückschicken. Stellt sich bei der Überprüfung des Gerätes heraus, dass kein Geräteschaden vorliegt, könnte dem Kunden eine Untersuchungspauschale berechnet.
- Für Reparaturen nach Ablauf der Garantiefrist werden Transportkosten berechnet.
- Jede kommerzielle Garantie lässt diese Rechte unberührt.

**Die oben stehende Aufzählung kann eventuell angepasst werden gemäß der Art des Produktes (siehe Bedienungsanleitung des Gerätes).****PL****Velleman® usługi i gwarancja jakości**

Od czasu założenia w 1972, Velleman® zdobył bogate doświadczenie w dziedzinie światowej elektroniki. Obecnie firma dystrybuje swoje produkty w ponad 85 krajach.

Wszystkie nasze produkty spełniają surowe wymagania jakościowe oraz wypełniają normy i dyrektywy obowiązujące w krajach UE. W celu zapewnienia najwyższej jakości naszych produktów, przechodzą one regularne oraz dodatkowo wyrwykowe badania kontroli jakości, zarówno naszego wewnętrznego działu jakości jak również wyspecjalizowanych firm zewnętrznych. Pomimo dołożenia wszelkich starań czasem mogą pojawić się problemy techniczne, prosimy odwołać się do gwarancji (patrz warunki gwarancji).

**Ogólne Warunki dotyczące gwarancji:**

- Wszystkie produkty konsumenckie podlegają 24-miesięcznej gwarancji na wady produkcyjne i materiałowe od daty zakupu.
- W przypadku, gdy usterka jest niemożliwa do usunięcia lub koszt usunięcia jest nadmiernie wysoki Velleman® może zdecydować o wymianie artykułu na nowy, wolny od wad lub zwrócić zapłaconą kwotę. Zwrot gotówki może jednak nastąpić z uwzględnieniem poniższych warunków:
  - zwrot 100% ceny zakupu w przypadku, gdy wada wystąpiła w ciągu pierwszego roku od daty zakupu i dostawy
  - wymiana wadliwego artykułu na nowy, wolny od wad z odpłatnością 50% ceny detalicznej lub zwrot 50% kwoty ceny nabycia w przypadku gdy wada wystąpiła w drugim roku od daty zakupu i dostawy.
- **Produkt nie podlega naprawie gwarancyjnej:**
  - gdy wszystkie bezpośrednie lub pośrednie szkody spowodowane są działaniem czynników środowiskowych lub losowych (np. przez utlenianie, wstrząsy, upadki, kurz, brud, ...), wilgotności;
  - gwarant nie ponosi odpowiedzialności za szkody wynikających z utraty danych;
  - produkty konsumenckie, części zamienne lub akcesoria podatne na proces starzenia, wynikającego z normalnego użytkowania, np: baterie (ładowalne, nieladowalne, wbudowane lub wymienne), żarówki, paski napędowe, gumowe elementy napędowe... (nieograniczona lista);
  - usterka wynika z działania pożaru, zalania wszelkimi cieczami, uderzenia pioruna, upadku lub kłeski żywiołowej, itp.;
  - usterka wynika z zaniedbań eksploatacyjnych tj. umyślne bądź nieumyślne zaniechanie czyszczenia, konserwacji, wymiany materiałów eksploatacyjnych, niedbalstwa lub z niewłaściwego obchodzenia się lub niezgodnego użytkowania z instrukcją producenta;
  - szkody wynikające z nadmiernego użytkowania gdy nie jest do tego celu przeznaczony tj. działalność komercyjna, zawodowa lub wspólne użytkowanie przez wiele osób - okres obowiązywania gwarancji zostanie obniżony do 6 (sześć) miesięcy;
  - Szkody wynikające ze źle zabezpieczonej wysyłki produktu;
  - Wszelkie szkody spowodowane przez nieautoryzowaną naprawę, modyfikację, przeróbkę produktu przez osoby trzecie jak również bez pisemnej zgody firmy Velleman®.
- Uszkodzony produkt musi zostać dostarczony do sprzedawcy® Velleman, solidnie zapakowany (najlepiej w oryginalnym opakowaniu), wraz z wyposażeniem z jakim produkt został sprzedany. W przypadku wysyłki towaru w opakowaniu innym niż oryginalnym ryzyko usterki produktu oraz tego skutki przechodzą na właściciela produktu. Wraz z niesprawnym produktem należy dołączyć jasny i szczegółowy opis jego usterki, wady;
- Wskazówka: Aby zaoszczędzić na kosztach i czasie, proszę szczegółowo zapoznać się z instrukcją obsługi; czy przyczyna wady są okoliczności techniczne czy też wynikają wyłącznie z nieznaności obsługi produktu. W przypadku wysyłki sprawnego produktu do serwisu nabywca może zostać obciążony kosztami obsługi oraz transportu.

- W przypadku napraw pogwarancyjnych lub odpłatnych klient ponosi dodatkowo koszt wysyłki produktu do i z serwisu.
- wymienione wyżej warunki są bez uszczerbku dla wszystkich komercyjnych gwarancji.

**Powyższe postanowienia mogą podlegać modyfikacji w zależności od wyrobu (patrz art obsługi).****PT****Garantia de serviço e de qualidade Velleman®**

Desde a sua fundação em 1972 Velleman® tem adquirido uma ampla experiência no sector da eletrónica com uma distribuição em mais de 85 países. Todos os nossos produtos respondem a exigências rigorosas e a disposições legais em vigor na UE. Para garantir a qualidade, submetemos regularmente os nossos produtos a controlos de qualidade suplementares, com o nosso próprio serviço qualidade como um serviço de qualidade externo. No caso improvável de um defeito mesmo com as nossas precauções, é possível invocar a nossa garantia. (ver as condições de garantia).

**Condições gerais com respeito a garantia sobre os produtos grande público (para a UE):**

- qualquer produto grande público é garantido 24 mês contra qualquer vício de produção ou materiais a partir da data de aquisição efectiva;
  - no caso da reclamação ser justificada e que a reparação ou substituição de um artigo é impossível, ou quando os custos são desproporcionados, Velleman® autoriza-se a substituir o dito artigo por um artigo equivalente ou a devolver a totalidade ou parte do preço de compra. Em outro caso, será consentido um artigo de substituição ou devolução completa do preço de compra no caso de um defeito no prazo de 1 ano depois da data de compra e entrega, ou um artigo de substituição pagando o valor de 50% do preço de compra ou devolução de 50% do preço de compra para defeitos depois de 1 a 2 anos.
  - **estão por consequência excluídos:**
    - todos os danos directos ou indirectos depois da entrega do artigo (p.ex. danos ligados a oxidação, choques, quedas, poeiras, areias, impurezas...) e provocado pelo aparelho, como o seu conteúdo (p.ex. perda de dados) e uma indemnização eventual por perda de receitas;
    - consumíveis, peças ou acessórios sujeitos a desgaste causado por um uso normal, como p.ex. pilhas (recarregáveis, não recarregáveis, incorporadas ou substituíveis), lâmpadas, peças em borracha correias... (lista ilimitada);
    - todos os danos que resultem de um incêndio, raios, de um acidente, de uma catastrophe natural, etc.;
    - danos provocados por negligencia, voluntária ou não, uma utilização ou manutenção incorrecta, ou uma utilização do aparelho contrária as prescrições do fabricante;
    - todos os danos por causa de uma utilização comercial, profissional ou colectiva do aparelho ( o período de garantia será reduzido a 6 meses para uma utilização profissional);
    - todos os danos no aparelho resultando de uma utilização incorrecta ou diferente daquela inicialmente prevista e descrita no manual de utilização;
    - todos os danos depois de uma devolução não embalada ou mal protegida ao nível do acondicionamento.
  - todas as reparações ou modificações efectuadas por terceiros sem a autorização de SA Velleman®;
  - despesas de transporte de e para Velleman® se o aparelho não estiver coberto pela garantia.
  - qualquer reparação será fornecida pelo local de compra. O aparelho será obrigatoriamente acompanhado do talão ou factura de origem e bem acondicionado (de preferência dentro da embalagem de origem com indicação do defeito ou avaria);
  - dica: aconselha-mos a consulta do manual e controlar cabos, pilhas, etc. antes de devolver o aparelho. Um aparelho devolvido que estiver em bom estado será cobrado despesas a cargo do consumidor;
  - uma reparação efectuada fora da garantia, será cobrado despesas de transporte;
  - qualquer garantia comercial não prevalece as condições aqui mencionadas.
- A lista pode ser sujeita a um complemento conforme o tipo de artigo e estar mencionada no manual de utilização.**