

DATA SHEET

**LM124/224/324/324A/
SA534/LM2902**
Low power quad op amps

Product data
Supersedes data of 2001 Aug 03
File under Integrated Circuits, IC11 Handbook

2002 Jan 22

Low power quad op amps

LM124/224/324/324A/ SA534/LM2902

DESCRIPTION

The LM124/SA534/LM2902 series consists of four independent, high-gain, internally frequency-compensated operational amplifiers designed specifically to operate from a single power supply over a wide range of voltages.

UNIQUE FEATURES

In the linear mode, the input common-mode voltage range includes ground and the output voltage can also swing to ground, even though operated from only a single power supply voltage.

The unity gain crossover frequency and the input bias current are temperature-compensated.

FEATURES

- Internally frequency-compensated for unity gain
- Large DC voltage gain: 100 dB
- Wide bandwidth (unity gain): 1 MHz (temperature-compensated)
- Wide power supply range Single supply: 3 V_{DC} to 30 V_{DC} or dual supplies: ±1.5 V_{DC} to ±15 V_{DC}
- Very low supply current drain: essentially independent of supply voltage (1 mW/op amp at +5 V_{DC})
- Low input biasing current: 45 nA_{DC} (temperature-compensated)
- Low input offset voltage: 2 mV_{DC} and offset current: 5 nA_{DC}
- Differential input voltage range equal to the power supply voltage
- Large output voltage: 0V_{DC} to V_{CC}-1.5 V_{DC} swing

PIN CONFIGURATION

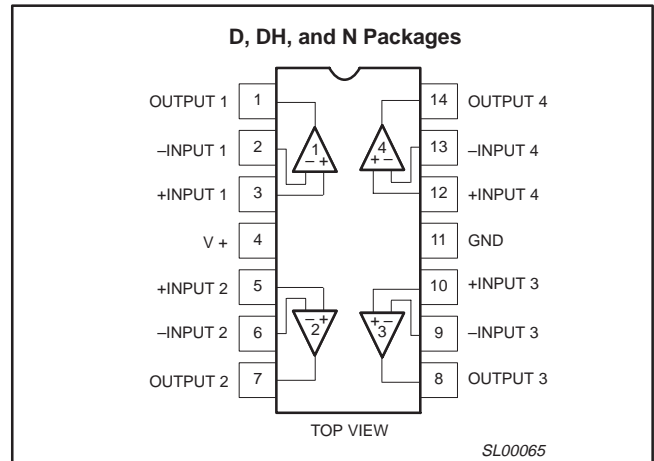


Figure 1. Pin configuration.

ORDERING INFORMATION

DESCRIPTION	TEMPERATURE RANGE	ORDER CODE	DWG #
14-Pin Plastic Dual In-Line Package (DIP)	-55° C to +125 °C	LM124N	SOT27-1
14-Pin Plastic Small Outline (SO) Package	-25 °C to +85 °C	LM224D	SOT108-1
14-Pin Plastic Dual In-Line Package (DIP)	-25 °C to +85 °C	LM224N	SOT27-1
14-Pin Plastic Small Outline (SO) Package	0 °C to +70 °C	LM324D	SOT108-1
14-Pin Plastic Thin Shrink Small Outline Package (TSSOP)	0 °C to +70 °C	LM324DH	SOT402-1
14-Pin Plastic Dual In-Line Package (DIP)	0 °C to +70 °C	LM324N	SOT27-1
14-Pin Plastic Small Outline (SO) Package	0 °C to +70 °C	LM324AD	SOT108-1
14-Pin Plastic Dual In-Line Package (DIP)	0 °C to +70 °C	LM324AN	SOT27-1
14-Pin Plastic Small Outline (SO) Package	-40 °C to +85 °C	SA534D	SOT108-1
14-Pin Plastic Dual In-Line Package (DIP)	-40 °C to +85 °C	SA534N	SOT27-1
14-Pin Plastic Small Outline (SO) Package	-40 °C to +125 °C	LM2902D	SOT108-1
14-Pin Plastic Dual In-Line Package (DIP)	-40 °C to +125 °C	LM2902N	SOT27-1

Low power quad op amps

LM124/224/324/324A/
SA534/LM2902

ABSOLUTE MAXIMUM RATINGS

SYMBOL	PARAMETER	RATING	UNIT
V_{CC}	Supply voltage	32 or ± 16	V_{DC}
V_{IN}	Differential input voltage	32	V_{DC}
V_{IN}	Input voltage	-0.3 to +32	V_{DC}
P_D	Maximum power dissipation, $T_{amb} = 25\text{ }^\circ\text{C}$ (still-air) ¹ N package D package DH package	1420 1040 762	mW mW mW
	Output short-circuit to GND one amplifier ² $V_{CC} < 15 V_{DC}$ and $T_{amb} = 25\text{ }^\circ\text{C}$	Continuous	
I_{IN}	Input current ($V_{IN} < -0.3\text{ V}$) ³	50	mA
T_{amb}	Operating ambient temperature range LM324/324A LM224 SA534 LM2902 LM124	0 to +70 -25 to +85 -40 to +85 -40 to +125 -55 to +125	$^\circ\text{C}$ $^\circ\text{C}$ $^\circ\text{C}$ $^\circ\text{C}$ $^\circ\text{C}$
T_{stg}	Storage temperature range	-65 to +150	$^\circ\text{C}$
T_{sld}	Lead soldering temperature (10 sec max)	230	$^\circ\text{C}$

NOTES:

- Derate above 25 $^\circ\text{C}$ at the following rates:
N package at 11.4 mW/ $^\circ\text{C}$
D package at 8.3 mW/ $^\circ\text{C}$
DH package at 6.1 mW/ $^\circ\text{C}$
- Short-circuits from the output to V_{CC+} can cause excessive heating and eventual destruction. The maximum output current is approximately 40mA, independent of the magnitude of V_{CC} . At values of supply voltage in excess of +15 V_{DC} continuous short-circuits can exceed the power dissipation ratings and cause eventual destruction.
- This input current will only exist when the voltage at any of the input leads is driven negative. It is due to the collector-base junction of the input PNP transistors becoming forward biased and thereby acting as input bias clamps. In addition, there is also lateral NPN parasitic transistor action on the IC chip. This action can cause the output voltages of the op amps to go to the $V+$ rail (or to ground for a large overdrive) during the time that the input is driven negative.

Low power quad op amps

LM124/224/324/324A/
SA534/LM2902

DC ELECTRICAL CHARACTERISTICS

 $V_{CC} = 5\text{ V}$; $T_{amb} = 25\text{ }^{\circ}\text{C}$, unless otherwise specified.

SYMBOL	PARAMETER	TEST CONDITIONS	LM124/LM224			LM324/SA534/LM2902			UNIT
			Min	Typ	Max	Min	Typ	Max	
V_{OS}	Offset voltage ¹	$R_S = 0\ \Omega$		± 2	± 5		± 2	± 7	mV
		$R_S = 0\ \Omega$, over temp.			± 7			± 9	
$\Delta V_{OS}/\Delta T$	Temperature drift	$R_S = 0\ \Omega$, over temp.		7			7		$\mu\text{V}/^{\circ}\text{C}$
I_{BIAS}	Input current ²	$I_{IN(+)} \text{ or } I_{IN(-)}$		45	150		45	250	nA
		$I_{IN(+)} \text{ or } I_{IN(-)}$, over temp.		40	300		40	500	
$\Delta I_{BIAS}/\Delta T$	Temperature drift	Over temp.		50			50		$\text{pA}/^{\circ}\text{C}$
I_{OS}	Offset current	$I_{IN(+)} - I_{IN(-)}$		± 3	± 30		± 5	± 50	nA
		$I_{IN(+)} - I_{IN(-)}$, over temp.			± 100			± 150	
$\Delta I_{OS}/\Delta T$	Temperature drift	Over temp.		10			10		$\text{pA}/^{\circ}\text{C}$
V_{CM}	Common-mode voltage range ³	$V_{CC} \leq 30\text{ V}$	0		$V_{CC} - 1.5$	0		$V_{CC} - 1.5$	V
		$V_{CC} \leq 30\text{ V}$; over temp.	0		$V_{CC} - 2$	0		$V_{CC} - 2$	
CMRR	Common-mode rejection ratio	$V_{CC} = 30\text{ V}$	70	85		65	70		dB
V_{OUT}	Output voltage swing	$R_L = 2\text{ k}\Omega$, $V_{CC} = 30\text{ V}$, over temp.	26			26			V
V_{OH}	Output voltage high	$R_L \leq 10\text{ k}\Omega$, $V_{CC} = 30\text{ V}$, over temp.	27	28		27	28		V
V_{OL}	Output voltage low	$R_L \leq 10\text{ k}\Omega$; over temp.		5	20		5	20	mV
I_{CC}	Supply current	$R_L = \infty$, $V_{CC} = 30\text{ V}$; over temp.		1.5	3		1.5	3	mA
		$R_L = \infty$; over temp.		0.7	1.2		0.7	1.2	
A_{VOL}	Large-signal voltage gain	$V_{CC} = 15\text{ V}$ (for large V_O swing); $R_L \geq 2\text{ k}\Omega$	50	100		25	100		V/mV
		$V_{CC} = 15\text{ V}$ (for large V_O swing); $R_L \geq 2\text{ k}\Omega$; over temp.	25			15			
	Amplifier-to-amplifier coupling ⁵	$f = 1\text{ kHz}$ to 20 kHz , input referred		-120			-120		dB
PSRR	Power supply rejection ratio	$R_S \leq 0\ \Omega$	65	100		65	100		dB
I_{OUT}	Output current source	$V_{IN+} = +1\text{ V}$, $V_{IN-} = 0\text{ V}$, $V_{CC} = 15\text{ V}$	20	40		20	40		mA
		$V_{IN+} = +1\text{ V}$, $V_{IN-} = 0\text{ V}$, $V_{CC} = 15\text{ V}$, over temp.	10	20		10	20		
	Output current sink	$V_{IN-} = +1\text{ V}$, $V_{IN+} = 0\text{ V}$, $V_{CC} = 15\text{ V}$	10	20		10	20		
		$V_{IN-} = +1\text{ V}$, $V_{IN+} = 0\text{ V}$, $V_{CC} = 15\text{ V}$, over temp.	5	8		5	8		
		$V_{IN-} = +1\text{ V}$, $V_{IN+} = 0\text{ V}$, $V_O = 200\text{ mV}$	12	50		12	50		
I_{SC}	Short-circuit current ⁴		10	40	60	10	40	60	mA
GBW	Unity gain bandwidth			1			1		MHz
SR	Slew rate			0.3			0.3		$\text{V}/\mu\text{s}$
V_{NOISE}	Input noise voltage	$f = 1\text{ kHz}$		40			40		$\text{nV}/\sqrt{\text{Hz}}$
V_{DIFF}	Differential input voltage ³				V_{CC}			V_{CC}	V

Low power quad op amps

LM124/224/324/324A/
SA534/LM2902**DC ELECTRICAL CHARACTERISTICS** (Continued) $V_{CC} = 5\text{ V}$, $T_{amb} = 25\text{ }^{\circ}\text{C}$ unless otherwise specified.

SYMBOL	PARAMETER	TEST CONDITIONS	LM324A			UNIT
			Min	Typ	Max	
V_{OS}	Offset voltage ¹	$R_S = 0\ \Omega$		± 2	± 3	mV
		$R_S = 0\ \Omega$, over temp.			± 5	
$\Delta V_{OS}/\Delta T$	Temperature drift	$R_S = 0\ \Omega$, over temp.		7	30	$\mu\text{V}/^{\circ}\text{C}$
I_{BIAS}	Input current ²	$I_{IN(+)} \text{ or } I_{IN(-)}$		45	100	nA
		$I_{IN(+)} \text{ or } I_{IN(-)}$, over temp.		40	200	
$\Delta I_{BIAS}/\Delta T$	Temperature drift	Over temp.		50		$\text{pA}/^{\circ}\text{C}$
I_{OS}	Offset current	$I_{IN(+)} - I_{IN(-)}$		± 5	± 30	nA
		$I_{IN(+)} - I_{IN(-)}$, over temp.			± 75	
$\Delta I_{OS}/\Delta T$	Temperature drift	Over temp.		10	300	$\text{pA}/^{\circ}\text{C}$
V_{CM}	Common-mode voltage range ³	$V_{CC} \leq 30\text{ V}$	0		$V_{CC} - 1.5$	V
		$V_{CC} \leq 30\text{ V}$, over temp.	0		$V_{CC} - 2$	V
CMRR	Common-mode rejection ratio	$V_{CC} = 30\text{ V}$	65	85		dB
V_{OUT}	Output voltage swing	$R_L = 2\text{ k}\Omega$, $V_{CC} = 30\text{ V}$; over temp.	26			V
V_{OH}	Output voltage high	$R_L \leq 10\text{ k}\Omega$, $V_{CC} = 30\text{ V}$; over temp.	27	28		V
V_{OL}	Output voltage low	$R_L \leq 10\text{ k}\Omega$, over temp.		5	20	mV
I_{CC}	Supply current	$R_L = \infty$, $V_{CC} = 30\text{ V}$, over temp.		1.5	3	mA
		$R_L = \infty$, over temp.		0.7	1.2	mA
A_{VOL}	Large-signal voltage gain	$V_{CC} = 15\text{ V}$ (for large V_O swing), $R_L \geq 2\text{ k}\Omega$	25	100		V/mV
		$V_{CC} = 15\text{ V}$ (for large V_O swing), $R_L \geq 2\text{ k}\Omega$, over temp.	15			V/mV
	Amplifier-to-amplifier coupling ⁵	$f = 1\text{ kHz}$ to 20 kHz , input referred		-120		dB
PSRR	Power supply rejection ratio	$R_S \leq 0\ \Omega$	65	100		dB
I_{OUT}	Output current source	$V_{IN+} = +1\text{ V}$, $V_{IN-} = 0\text{ V}$, $V_{CC} = 15\text{ V}$	20	40		mA
		$V_{IN+} = +1\text{ V}$, $V_{IN-} = 0\text{ V}$, $V_{CC} = 15\text{ V}$, over temp.	10	20		mA
	Output current sink	$V_{IN-} = +1\text{ V}$, $V_{IN+} = 0\text{ V}$, $V_{CC} = 15\text{ V}$	10	20		mA
		$V_{IN-} = +1\text{ V}$, $V_{IN+} = 0\text{ V}$, $V_{CC} = 15\text{ V}$, over temp.	5	8		mA
		$V_{IN-} = +1\text{ V}$, $V_{IN+} = 0\text{ V}$, $V_O = 200\text{ mV}$	12	50		μA
I_{SC}	Short-circuit current ⁴		10	40	60	mA
V_{DIFF}	Differential input voltage ³				V_{CC}	V
GBW	Unity gain bandwidth			1		MHz
SR	Slew rate			0.3		$\text{V}/\mu\text{s}$
V_{NOISE}	Input noise voltage	$f = 1\text{ kHz}$		40		$\text{nV}/\sqrt{\text{Hz}}$

NOTES:

- $V_O \approx 1.4 V_{DC}$, $R_S = 0\ \Omega$ with V_{CC} from 5 V to 30 V and over full input common-mode range ($0 V_{DC+}$ to $V_{CC} - 1.5\text{ V}$).
- The direction of the input current is out of the IC due to the PNP input stage. This current is essentially constant, independent of the state of the output so no loading change exists on the input lines.
- The input common-mode voltage or either input signal voltage should not be allowed to go negative by more than 0.3 V . The upper end of the common-mode voltage range is $V_{CC} - 1.5$, but either or both inputs can go to $+32\text{ V}$ without damage.
- Short-circuits from the output to V_{CC} can cause excessive heating and eventual destruction. The maximum output current is approximately 40 mA independent of the magnitude of V_{CC} . At values of supply voltage in excess of $+15 V_{DC}$, continuous short-circuits can exceed the power dissipation ratings and cause eventual destruction. Destructive dissipation can result from simultaneous shorts on all amplifiers.
- Due to proximity of external components, insure that coupling is not originating via stray capacitance between these external parts. This typically can be detected as this type of coupling increases at higher frequencies.

Low power quad op amps

LM124/224/324/324A/ SA534/LM2902

EQUIVALENT CIRCUIT

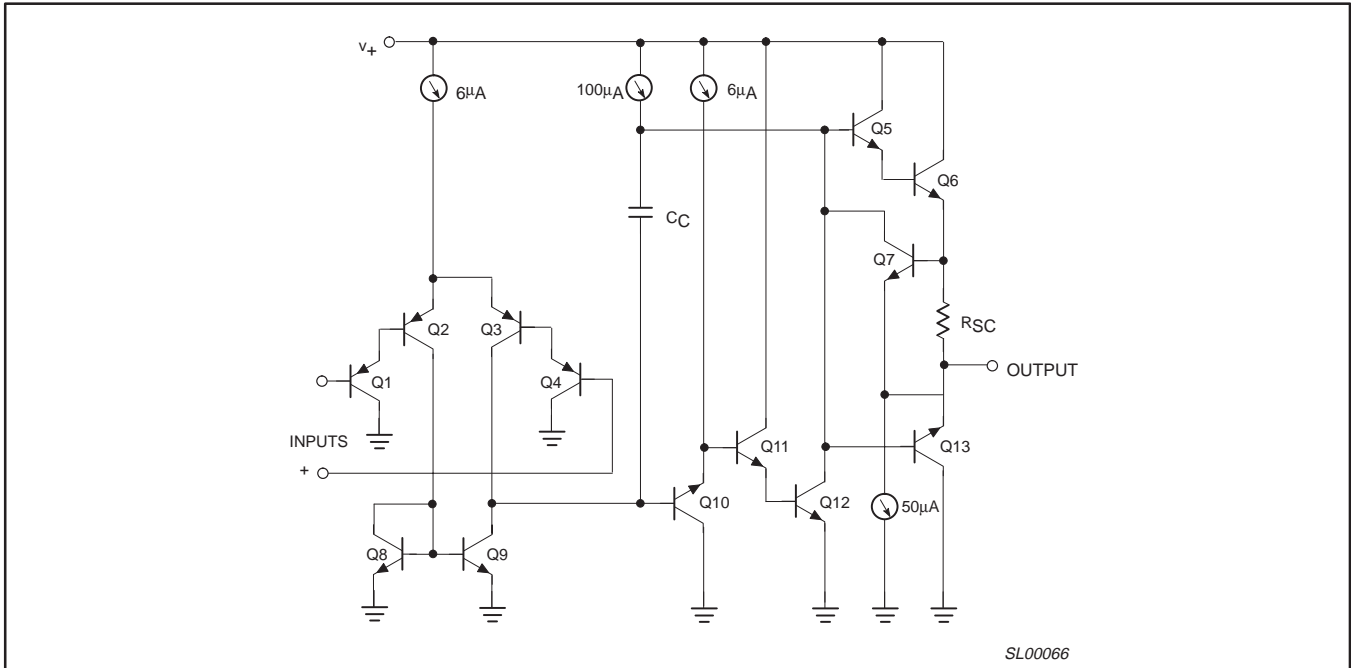


Figure 2. Equivalent circuit.

Low power quad op amps

LM124/224/324/324A/
SA534/LM2902

TYPICAL PERFORMANCE CHARACTERISTICS

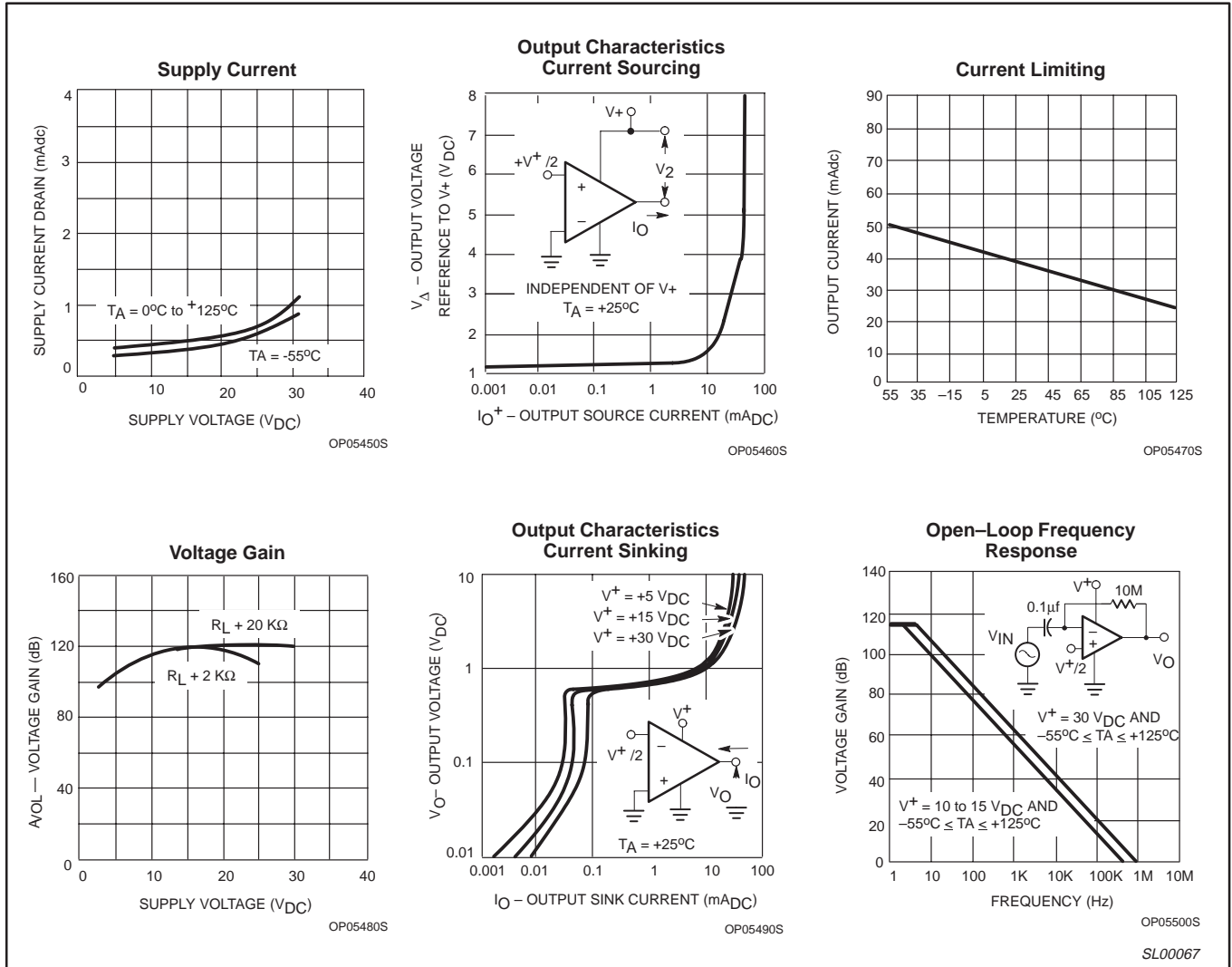


Figure 3. Typical Performance Characteristics

Low power quad op amps

LM124/224/324/324A/ SA534/LM2902

TYPICAL PERFORMANCE CHARACTERISTICS (Continued)

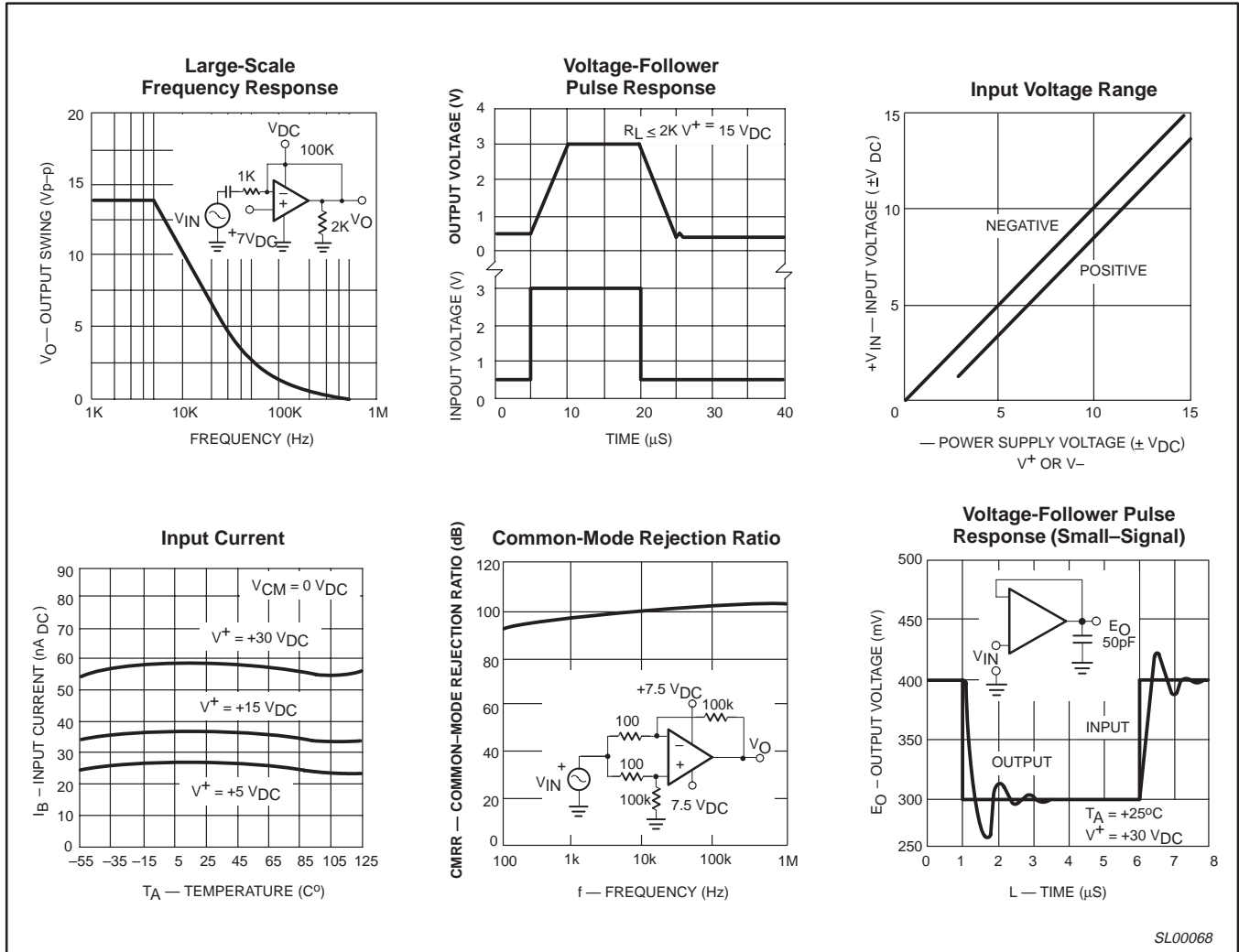


Figure 4. Typical Performance Characteristics (cont.)

TYPICAL APPLICATIONS

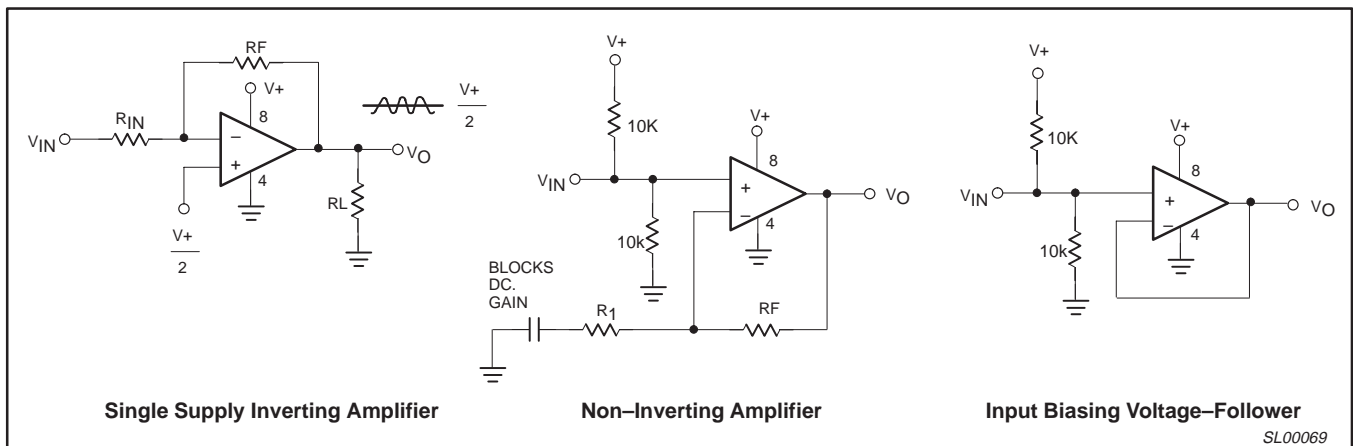


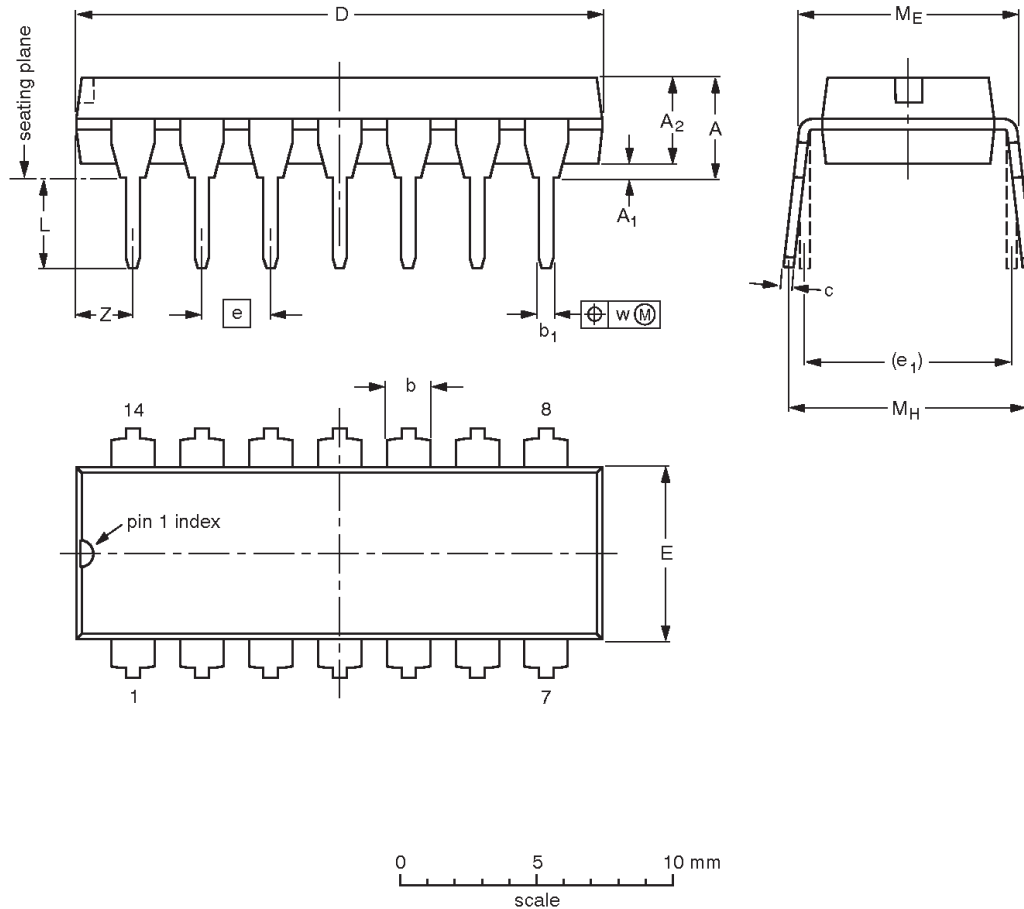
Figure 5. Typical Applications

Low power quad op amps

LM124/224/324/324A/
SA534/LM2902

DIP14: plastic dual in-line package; 14 leads (300 mil)

SOT27-1



DIMENSIONS (inch dimensions are derived from the original mm dimensions)

UNIT	A max.	A ₁ min.	A ₂ max.	b	b ₁	c	D ⁽¹⁾	E ⁽¹⁾	e	e ₁	L	M _E	M _H	w	Z ⁽¹⁾ max.
mm	4.2	0.51	3.2	1.73 1.13	0.53 0.38	0.36 0.23	19.50 18.55	6.48 6.20	2.54	7.62	3.60 3.05	8.25 7.80	10.0 8.3	0.254	2.2
inches	0.17	0.020	0.13	0.068 0.044	0.021 0.015	0.014 0.009	0.77 0.73	0.26 0.24	0.10	0.30	0.14 0.12	0.32 0.31	0.39 0.33	0.01	0.087

Note

1. Plastic or metal protrusions of 0.25 mm maximum per side are not included.

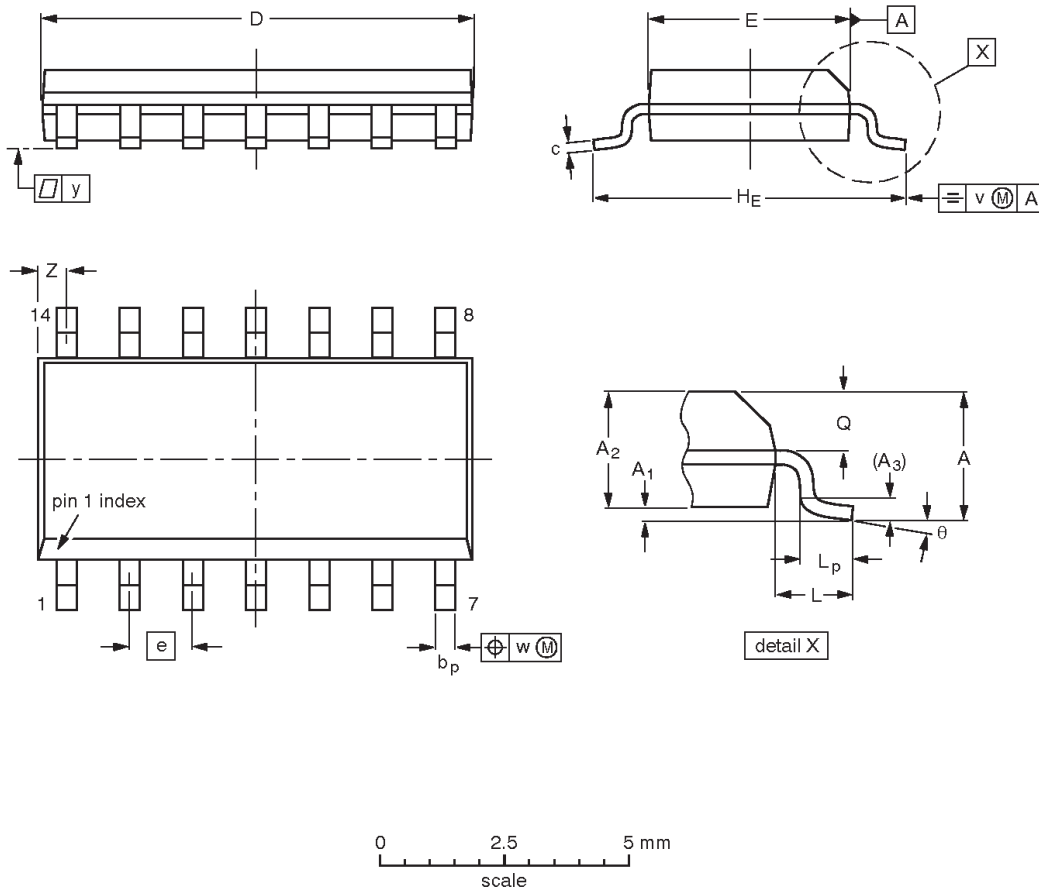
OUTLINE VERSION	REFERENCES				EUROPEAN PROJECTION	ISSUE DATE
	IEC	JEDEC	EIAJ			
SOT27-1	050G04	MO-001	SC-501-14			95-03-11 99-12-27

Low power quad op amps

LM124/224/324/324A/
SA534/LM2902

SO14: plastic small outline package; 14 leads; body width 3.9 mm

SOT108-1



DIMENSIONS (inch dimensions are derived from the original mm dimensions)

UNIT	A max.	A ₁	A ₂	A ₃	b _p	c	D ⁽¹⁾	E ⁽¹⁾	e	H _E	L	L _p	Q	v	w	y	Z ⁽¹⁾	θ
mm	1.75	0.25 0.10	1.45 1.25	0.25	0.49 0.36	0.25 0.19	8.75 8.55	4.0 3.8	1.27	6.2 5.8	1.05	1.0 0.4	0.7 0.6	0.25	0.25	0.1	0.7 0.3	8° 0°
inches	0.069	0.010 0.004	0.057 0.049	0.01	0.019 0.014	0.0100 0.0075	0.35 0.34	0.16 0.15	0.050	0.244 0.228	0.041	0.039 0.016	0.028 0.024	0.01	0.01	0.004	0.028 0.012	

Note

1. Plastic or metal protrusions of 0.15 mm maximum per side are not included.

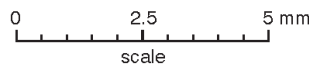
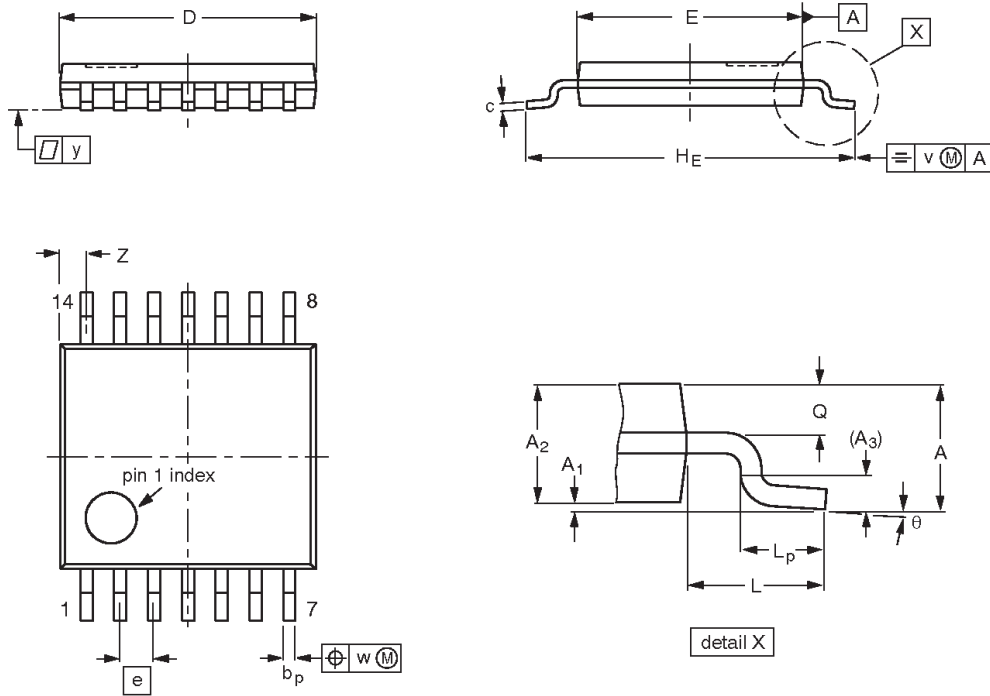
OUTLINE VERSION	REFERENCES				EUROPEAN PROJECTION	ISSUE DATE
	IEC	JEDEC	EIAJ			
SOT108-1	076E06	MS-012				97-05-22 99-12-27

Low power quad op amps

LM124/224/324/324A/
SA534/LM2902

TSSOP14: plastic thin shrink small outline package; 14 leads; body width 4.4 mm

SOT402-1



DIMENSIONS (mm are the original dimensions)

UNIT	A max.	A ₁	A ₂	A ₃	b _p	c	D ⁽¹⁾	E ⁽²⁾	e	H _E	L	L _p	Q	v	w	y	Z ⁽¹⁾	θ
mm	1.10	0.15 0.05	0.95 0.80	0.25	0.30 0.19	0.2 0.1	5.1 4.9	4.5 4.3	0.65	6.6 6.2	1.0	0.75 0.50	0.4 0.3	0.2	0.13	0.1	0.72 0.38	8° 0°

Notes

1. Plastic or metal protrusions of 0.15 mm maximum per side are not included.
2. Plastic interlead protrusions of 0.25 mm maximum per side are not included.

OUTLINE VERSION	REFERENCES				EUROPEAN PROJECTION	ISSUE DATE
	IEC	JEDEC	EIAJ			
SOT402-1		MO-153				-95-04-04 99-12-27

Low power quad op amps

LM124/224/324/324A/
SA534/LM2902

Data sheet status

Data sheet status ^[1]	Product status ^[2]	Definitions
Objective data	Development	This data sheet contains data from the objective specification for product development. Philips Semiconductors reserves the right to change the specification in any manner without notice.
Preliminary data	Qualification	This data sheet contains data from the preliminary specification. Supplementary data will be published at a later date. Philips Semiconductors reserves the right to change the specification without notice, in order to improve the design and supply the best possible product.
Product data	Production	This data sheet contains data from the product specification. Philips Semiconductors reserves the right to make changes at any time in order to improve the design, manufacturing and supply. Changes will be communicated according to the Customer Product/Process Change Notification (CPCN) procedure SNW-SQ-650A.

[1] Please consult the most recently issued data sheet before initiating or completing a design.

[2] The product status of the device(s) described in this data sheet may have changed since this data sheet was published. The latest information is available on the Internet at URL <http://www.semiconductors.philips.com>.

Definitions

Short-form specification — The data in a short-form specification is extracted from a full data sheet with the same type number and title. For detailed information see the relevant data sheet or data handbook.

Limiting values definition — Limiting values given are in accordance with the Absolute Maximum Rating System (IEC 60134). Stress above one or more of the limiting values may cause permanent damage to the device. These are stress ratings only and operation of the device at these or at any other conditions above those given in the Characteristics sections of the specification is not implied. Exposure to limiting values for extended periods may affect device reliability.

Application information — Applications that are described herein for any of these products are for illustrative purposes only. Philips Semiconductors make no representation or warranty that such applications will be suitable for the specified use without further testing or modification.

Disclaimers

Life support — These products are not designed for use in life support appliances, devices or systems where malfunction of these products can reasonably be expected to result in personal injury. Philips Semiconductors customers using or selling these products for use in such applications do so at their own risk and agree to fully indemnify Philips Semiconductors for any damages resulting from such application.

Right to make changes — Philips Semiconductors reserves the right to make changes, without notice, in the products, including circuits, standard cells, and/or software, described or contained herein in order to improve design and/or performance. Philips Semiconductors assumes no responsibility or liability for the use of any of these products, conveys no license or title under any patent, copyright, or mask work right to these products, and makes no representations or warranties that these products are free from patent, copyright, or mask work right infringement, unless otherwise specified.

Contact information

For additional information please visit
<http://www.semiconductors.philips.com>. Fax: +31 40 27 24825

© Koninklijke Philips Electronics N.V. 2002
All rights reserved. Printed in U.S.A.

For sales offices addresses send e-mail to:
sales.addresses@www.semiconductors.philips.com

Document order number:

Date of release: 01-02

9397 750 09352

Let's make things better.