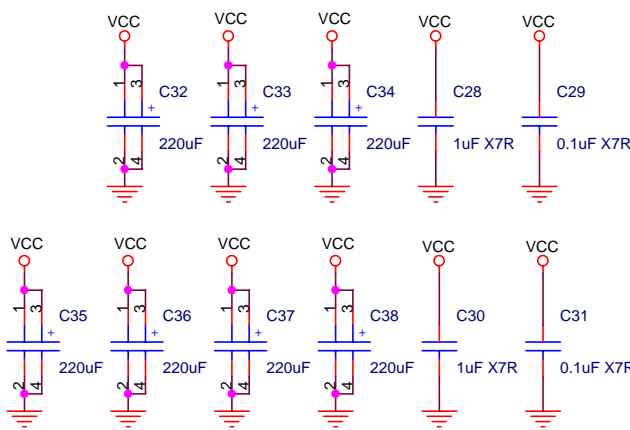


- TP1 GND
- TP2 GND
- TP3 VCC
- TP4 VCC
- TP5 CH1
- TP6 CH2
- TP7 DIAG
- TP8 SYN
- TP9 OUT1+
- TP10 OUT1+
- TP11 OUT1-
- TP12 OUT1-
- TP13 OUT2+
- TP14 OUT2+
- TP15 OUT2-
- TP16 OUT2-



Title		
2 X 50Watt Class D Audio Amplifier Board - TDA7492		
Size	Document Number	Rev
	AA-AB32174V100 by Sure Electronics	V100
Date:	Tuesday, May 24, 2011	Sheet 1 of 1