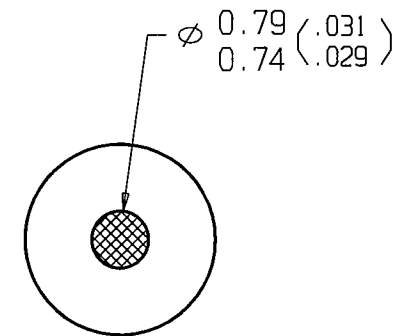
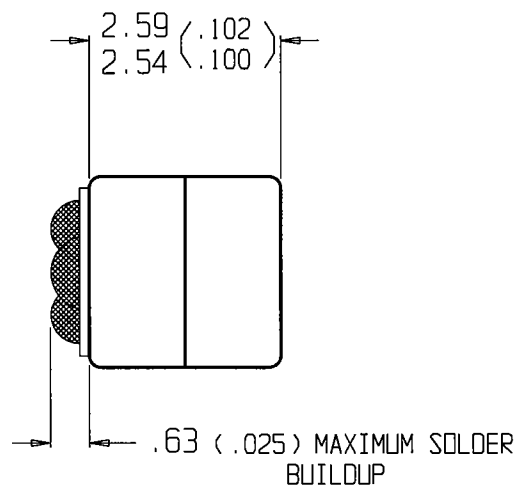
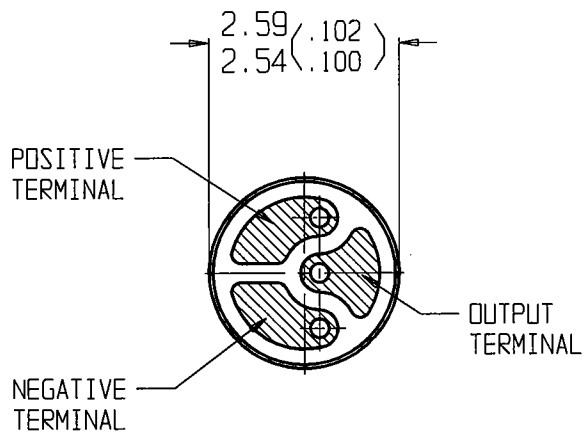


FG-6163

SHT 1.1



DIMENSIONS IN MILLIMETERS (INCHES)

RED CONTROLLED

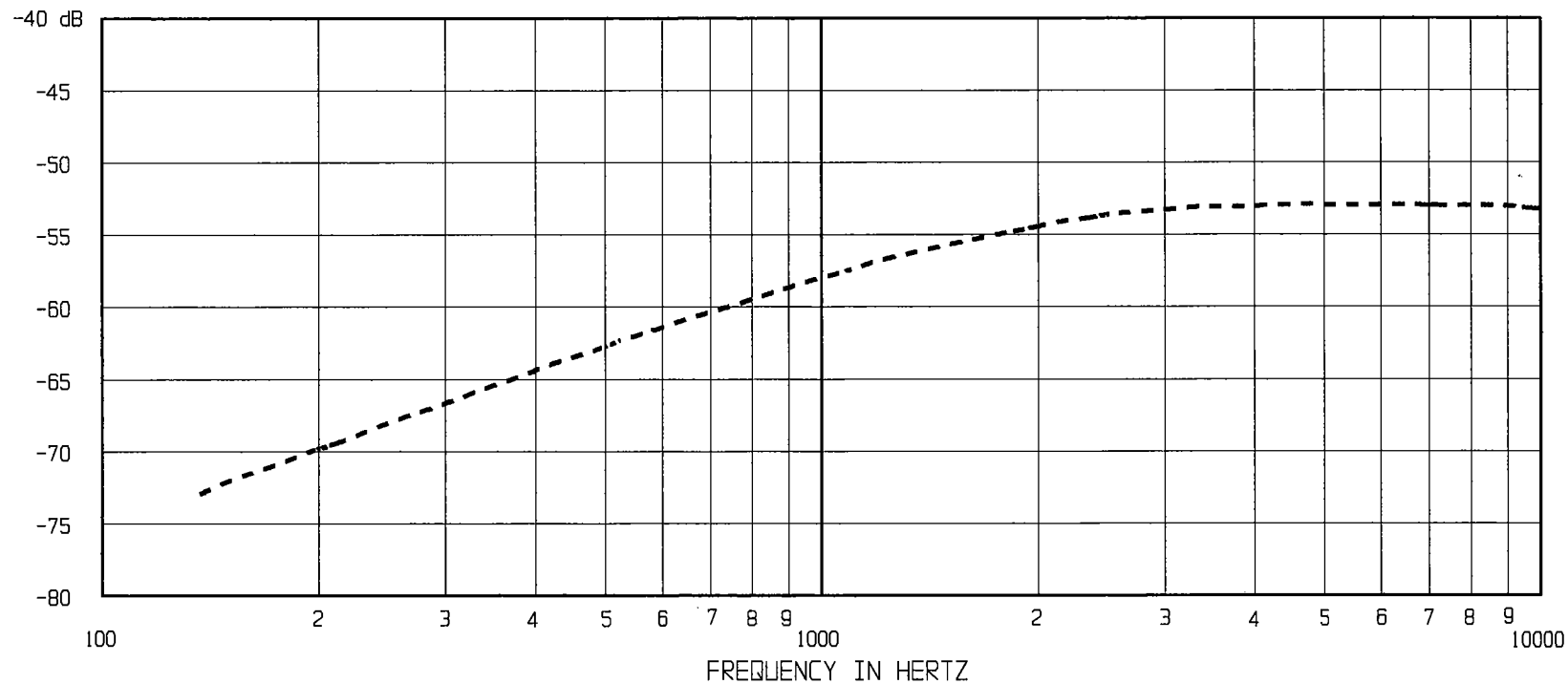
ISSUE
A

KNOWLES ELECTRONICS

KNOWLES ELECTRONICS, INC., ITASCA, ILLINOIS U.S.A.
KNOWLES ELECTRONICS, CO., BURGESS HILL, SUSSEX, ENGLAND

SCALE: 10:1	DR. BY AB	DATE 9-27-01
DO NOT SCALE DRAWING	CK. BY	DATE
TITLE: MICROPHONE OUTLINE DRAWING	APP. BY	DATE
FG-6163 SHT 1.1		

SENSITIVITY IN dB RELATIVE TO 1.0 VOLT/0.1 Pa (N/M²)
FOR CONDITIONS SHOWN BELOW.



FREQUENCY	SENSITIVITY			DEVICE CONFORMITY	
	MIN.	NOM.	MAX.	RANGE OF DEVIATION FROM 3.5 KHz	
500	---	-64.0	---	-14.0	-8.0
1000	---	-58.0	---	-9.0	-1.0
3500	-56.0	-53.0	-50.0	0.0	0.0
10000	---	-53.0	---	-3.0	+3.0

- NOTES: 1. CASE CONNECTED TO NEGATIVE TERMINAL.
 2. MICROPHONE TO BE FUNCTIONAL WITH 1.6 VDC SUPPLY.
 3. TYPICAL SENSITIVITY TO HUMIDITY AT 3500Hz IS 0.06 dB/%RH
 4. SENSITIVITY AND NOISE VALUES INDICATED ON THIS SPECIFICATION ARE VALID AT 50% HUMIDITY.

MODEL NUMBER	OUTLINE DRAWING	DC SUPPLY	AMPLIFIER CURRENT DRAIN	SENSITIVITY CHANGE ON REDUCING SUPPLY TO .9VDC	"A" WEIGHTED NOISE (re 1v)	OUTPUT IMPEDANCE OHMS			CAPACITANCE ±50%	
						MIN.	NOM.	MAX.	OUTPUT TO NEGATIVE	OUTPUT TO POSITIVE
FG-6163	FG-6163	1.3V	50µA MAX.	3 dB MAX.	-93.0 dB MAX.	2800	4400	6800	33pF	33pF

RED CONTROLLED

ISSUE
D

KNOWLES ELECTRONICS

KNOWLES ELECTRONICS, INC. ITASCA, ILLINOIS U.S.A.
 KNOWLES ELECTRONICS, CO., BURGESS HILL, SUSSEX, ENGLAND

When test limits are used to establish incoming inspection acceptance/rejection criteria, correlation of test equipment with Knowles is also required for elimination of equipment and test method variations.

TITLE: **MICROPHONE**
 PERFORMANCE SPECIFICATION

FG-6163
 SHT 2.1

DR. BY	DATE
AB	6-18-99
CK. BY	DATE
GJP	6-22-99
APP. BY	DATE
DCS	6-25-99