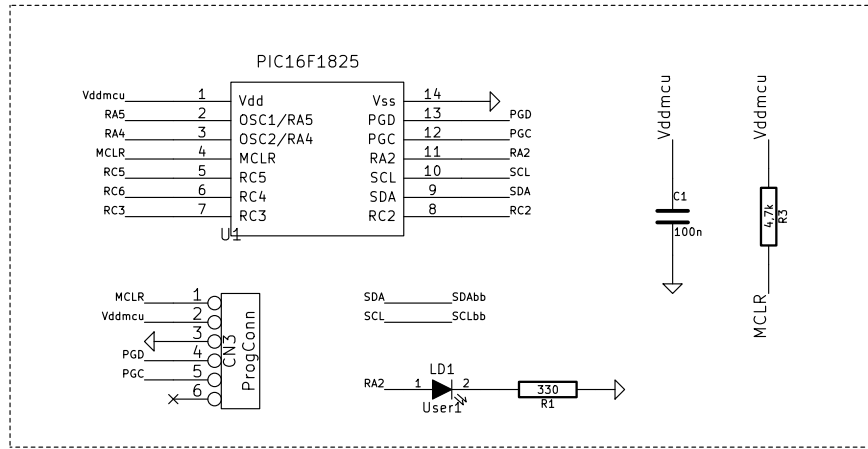
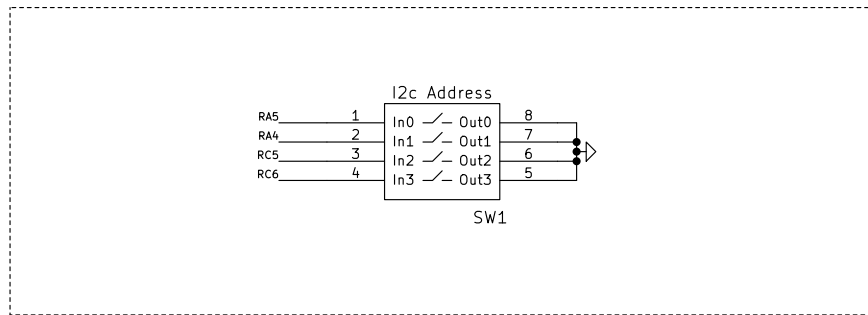


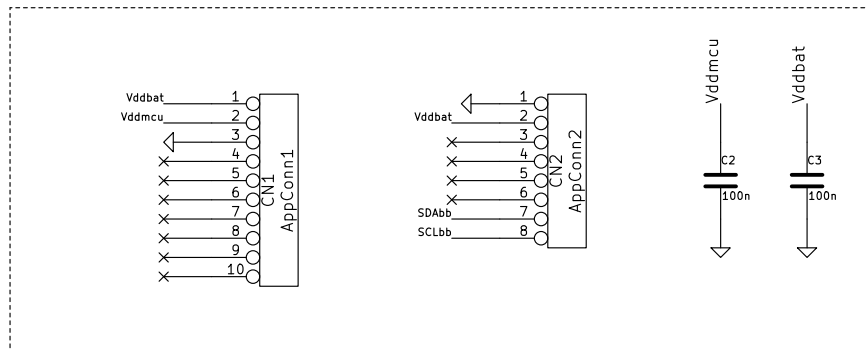
MICROCONTROLLER



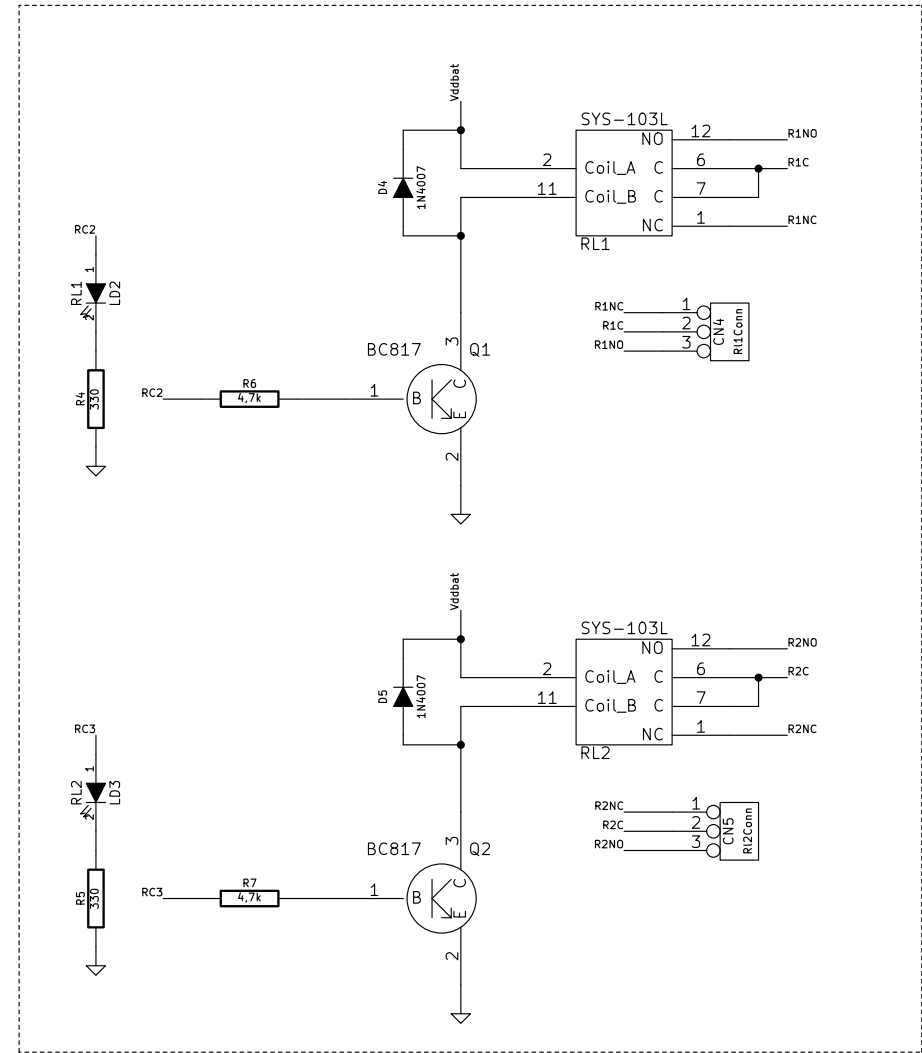
DIP-SWITCHES



APP CONNECTORS



RELAYS



Francesco Ficili		
File: Mercury.sch		
Sheet: /		
Title: MS - Relay Board		
Size: A4	Date: 25 may 2018	Rev: 1.0
KiCad E.D.A.		Id: 1/1