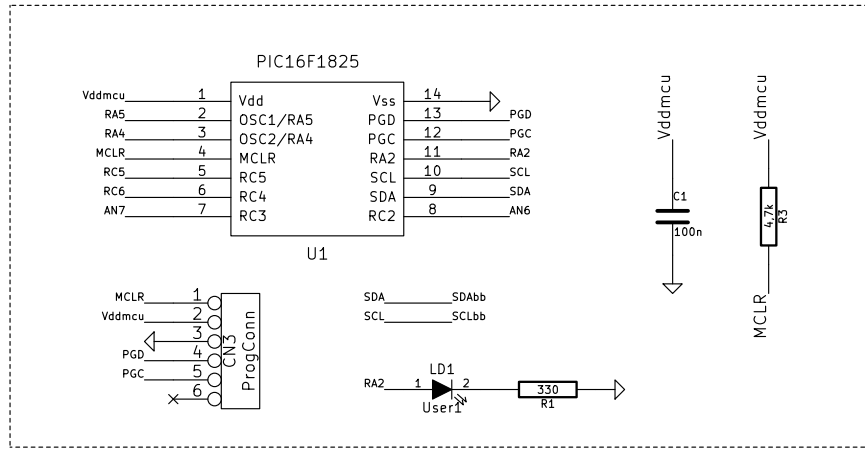
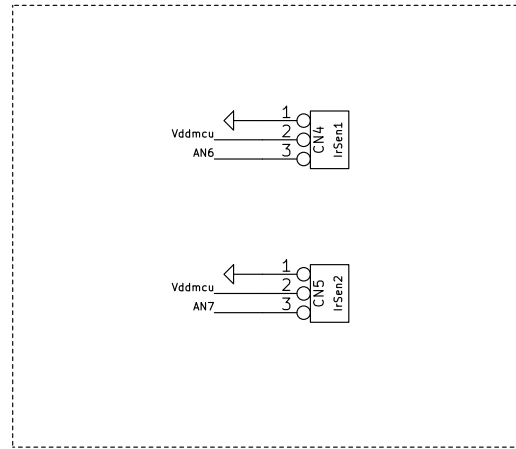


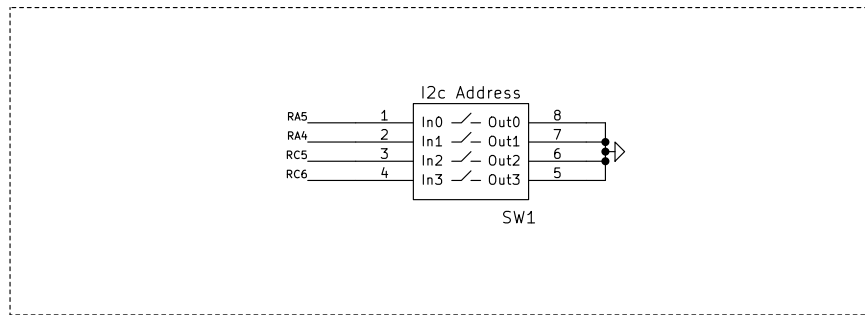
MICROCONTROLLER



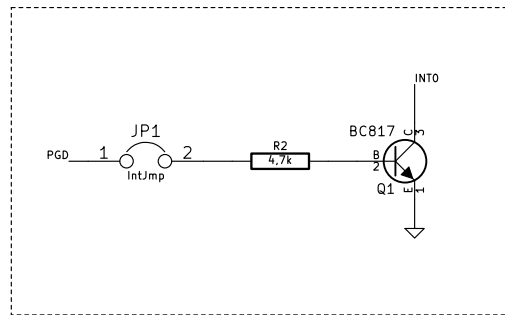
IR SENSOR CONNECTOR



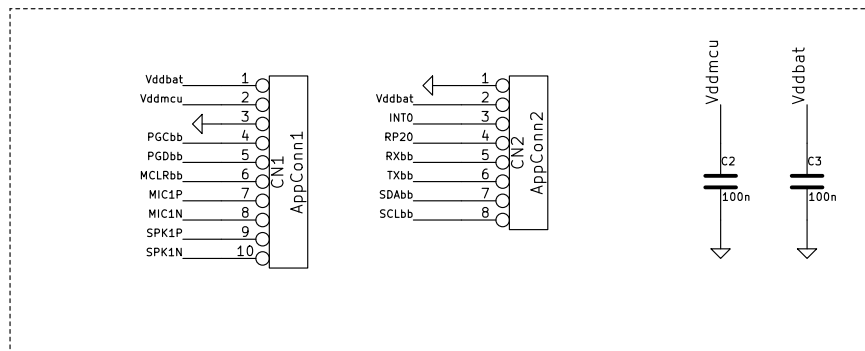
DIP-SWITCHES



INTERRUPT PIN



APP CONNECTORS



Francesco Ficili		
File: Mercury.sch		
Sheet: /		
Title: IoT Board Mercury - Infrared Board		
Size: A4	Date: 12 mar 2017	Rev: 1.0
KiCad E.D.A.		Id: 1/1