

10 BASE-T FILTER “LAN-MATE”

P/N: LF1S022 DATA SHEET

A. GENERAL SPECIFICATIONS:

1. RJ-45 CONNECTOR INTEGRATED WITH FILTER .
2. SIZE SAME AS RJ-45 CONNECTOR TO SAVE PCB BOARD SPACE.
3. REDUCE EMI RADIATION,IMPROVE EMI PERFORMANCE.
4. COMPLIES WITH IEEE802.3 STANDARDS
5. OPERATING TEMP RANGE: 0 °C TO +70 °C.
6. STORAGE TEMP RANGE : -25°C TO +125°C

B.ELECTRICAL SPECIFICATIONS (FILTER ONLY):

TYPE : 7 POLE (TX) & 5 POLE (RX)

CUT OFF FREQ: 17 MHz+/-1 MHz (TX & RX)

1. INSERTION LOSS (1MHz~10MHz): -1.15dB MAX (TX & RX)

2. ATTENUATION (dB MAX):	20MHz	25MHz	30MHz	40MHz
TX	- 5	-18	-28	-33
RX	-4.2	-11	-16	-26

3. RETURN LOSS (5MHz~10MHz): -13.5dB Min (TX & RX)

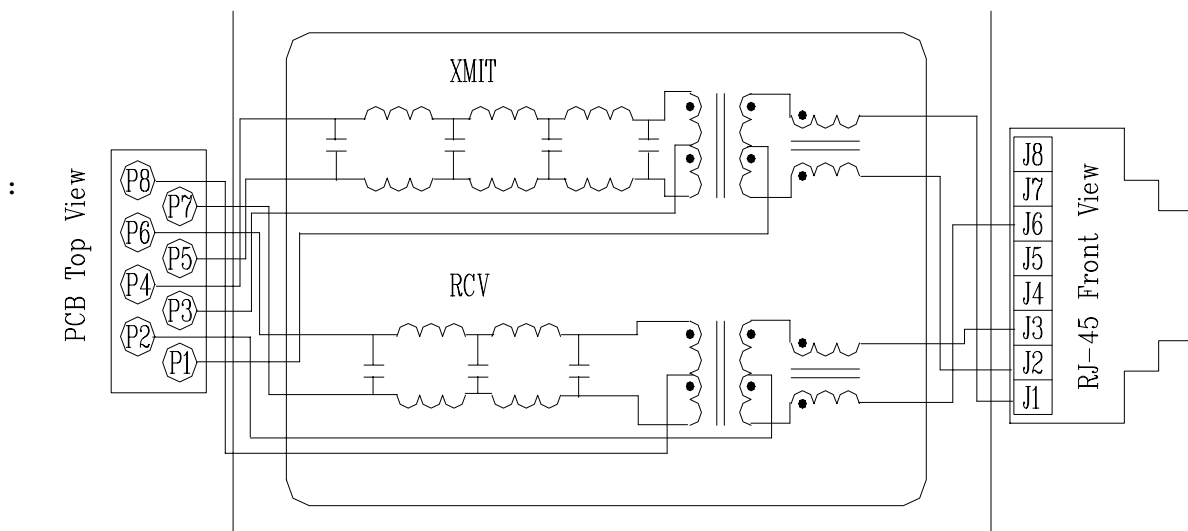
4. DIFFERENTIAL TO COMMON MODE REJECTION:

FREQUENCY	TX	RX
30 - 100 MHz	- 30	-30 (dB MIN.)

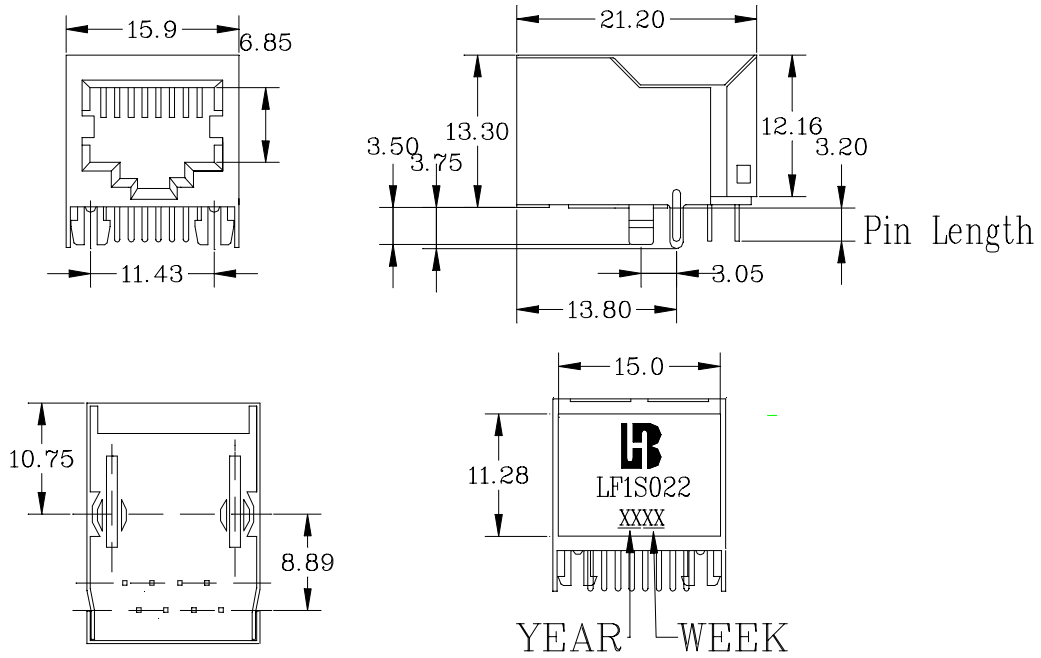
5. CROSS TALK ATTENUATION FREQUENCY: 1 - 10 MHz -30 -30 (dB MIN.)

6. VOLTAGE INSULATION: 1500Vrms/0.5mA 1Sec.

C.SCHEMATIC



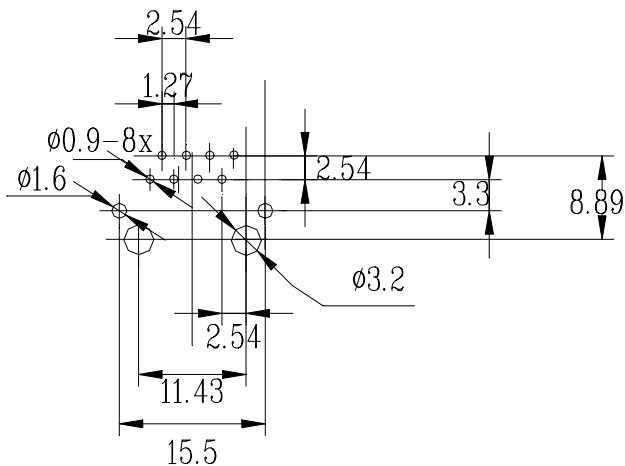
D: MECHANICAL DIMENSION (Unit mm) :



Tolerance : ± 0.25 Label Drawing

1. Plastic Material : PBT 15% Glass Filled (UL 94V-0) , Black Housing
2. Metal Shield : Brass C2680-H, 20u Nickle Plated, $t=0.25\text{mm}$
3. Spring Wire : 0.45mm Dia. Phosphor bronze with 6u gold plated .
4. Solder Pin : 0.4*0.4mm ,Phosphor bronze with Solder plated .
5. Durability : 300 Mating cycles Min .

E. PCB LAYOUT MOUNTING HOLE (Top View)



Unit : mm

Tolerance : ± 0.25