

Programmatore USB IN-Circuit per PIC

Prezzo: 28.69 €

Tasse: 6.31 €

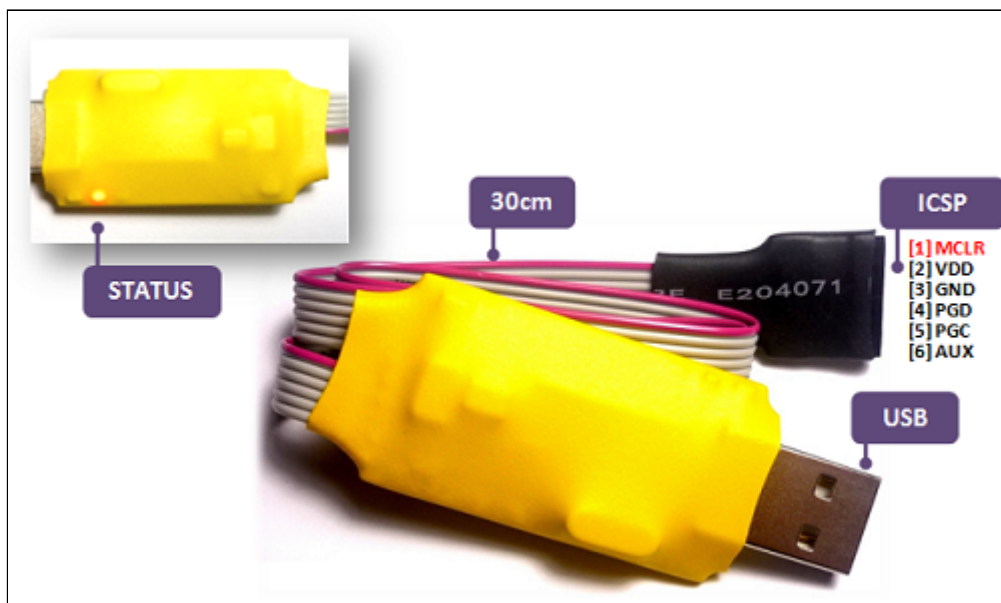
Prezzo totale (con tasse): 35.00 €



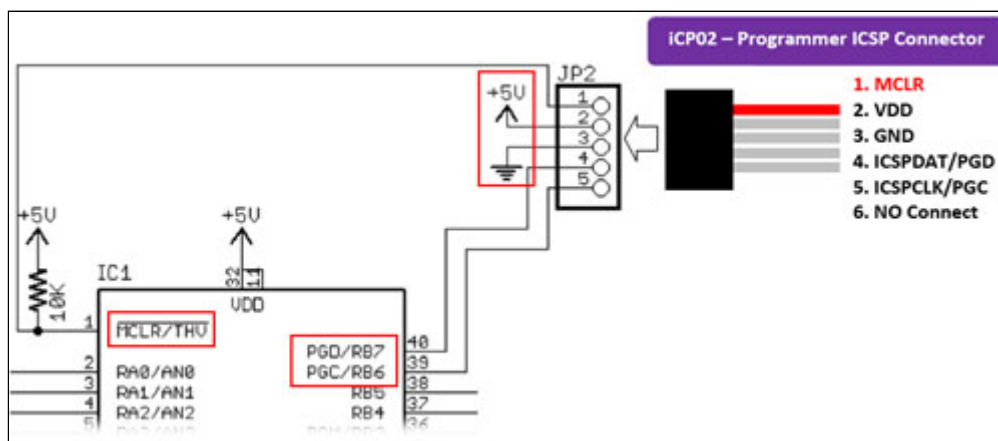
Programmatore In-Circuit per microcontrollori PIC, dsPIC e EEprom. Clone del PICkit2 è compatibile con l'MPLAB IDE della Microchip, supporta dispositivi funzionanti a 3,3 V e 5 V (selezione automatica nella versione 2.0 - tramite switch nella versione 1.0) e permette di programmare microcontrollori PIC Flash, compresa la famiglia PIC10F, PIC12F, PIC16F, PIC18F, PIC24F, dsPIC30 e dsPIC33, leggere e scrivere EEPROM seriali 11LCXX, 24LCXX, 25LCXX, 93LCXX e HCSXX. Alimentazione tramite porta USB, dimensioni: 6,8 cm x 2,3 cm x 0,5 cm, lunghezza cavo ICSP: circa 30 cm. Sistema operativo supportato (32bit / 64bit): Windows XP ,Windows Vista, Windows 7, Windows 8, Windows 10, Linux and Mac OS X.

Versione 2.0

iCP02v2.0 Extra Features:
 Adjustable VDD source (2.5V to 5.0V) with auto detection and auto selection VPP First Program Entry (VDD control) feature



Collegamento programmazione ICSP



Dispositivi supportati

Microcontrollori PIC

- ‘LF’ versions of all devices are also supported
- **8 Pin:** PIC10F200, PIC10F202, PIC10F204, PIC10F206, PIC10F220, PIC10F222, PIC12F508, PIC12F509, PIC12F510, PIC12F617, PIC12F519, PIC12F609, PIC12F615, PIC12F629, PIC12F635, PIC12F675, PIC12F679, PIC12F683, PIC12F1822, PIC12F1840
- **14 Pin:** PIC16F505, PIC16F506, PIC16F526, PIC16F610, PIC16F616, PIC16F630, PIC16F636, PIC16F676, PIC16F684, PIC16F688, PIC16F1823, PIC16F1824, PIC16F1825
- **18 Pin:** PIC16F54, PIC16F84A, PIC16F87, PIC16F88, PIC16F627, PIC16F627A, PIC16F628, PIC16F628A, PIC16F648A, PIC16F716, PIC16F818, PIC16F819, PIC16F1826, PIC16F1827, PIC18F1220, PIC18F1230, PIC18F1320, PIC18F1330, PIC16F1847
- **20 Pin:** PIC16F631, PIC16F639, PIC16F677, PIC16F685, PIC16F687, PIC16F689, PIC16F690, PIC16F720, PIC16F721, PIC16F785, PIC16F1828, PIC16F1829, PIC18F13K22, PIC18F13K50, PIC18F14K22, PIC18F14K50, PIC18F13K22, PIC18F13K50, PIC18F14K22, PIC18F14K50
- **28 Pin:** PIC16F57, PIC16F72, PIC16F73, PIC16F76, PIC16F722, PIC16F722A, PIC16F723, PIC16F723A, PIC16F726, PIC16F737, PIC16F767, PIC16F870, PIC16F872, PIC16F873, PIC16F873A, PIC16F876, PIC16F876A, PIC16F882, PIC16F883, PIC16F886, PIC16F913, PIC16F916, PIC16F1516, PIC16F1518, PIC16F1782, PIC16F1783, PIC16F1933, PIC16F1936, PIC16F1938, PIC16LF1902, PIC16LF1903, PIC16LF1906, PIC18F242, PIC18F252, PIC18F248, PIC18F258, PIC18F2220, PIC18F2221, PIC18F2320, PIC18F2321, PIC18F2331, PIC18F2410, PIC18F2420, PIC18F2423, PIC18F2431, PIC18F2450, PIC18F2455, PIC18F2458, PIC18F2480, PIC18F2510, PIC18F2515, PIC18F2520, PIC18F2523, PIC18F2525, PIC18F2550, PIC18F2553, PIC18F2580, PIC18F2585, PIC18F2610, PIC18F2620, PIC18F2680, PIC18F2682, PIC18F2685, PIC18F24J10, PIC18F24J11, PIC18F24J50, PIC18F25J10, PIC18F25J11, PIC18F25J50, PIC18F26J11, PIC18F26J50, PIC18F23K20, PIC18F23K22, PIC18F24K22, PIC18F25K22, PIC18F24K20, PIC18F25K20, PIC18F26K20, PIC18F26K22
- **40 Pin:** PIC16F59, PIC16F74, PIC16F77, PIC16F707, PIC16F724, PIC16F727, PIC16F747, PIC16F777, PIC16F871, PIC16F874, PIC16F874A, PIC16F877, PIC16F877A, PIC16F884, PIC16F887, PIC16F914, PIC16F917, PIC16F1517, PIC16F1519, PIC16F1934, PIC16F1937, PIC16F1939, PIC16LF1904, PIC16LF1907, PIC18F442, PIC18F452, PIC18F448, PIC18F458, PIC18F4220, PIC18F4221, PIC18F4320, PIC18F4321, PIC18F4331, PIC18F4410, PIC18F4420, PIC18F4423, PIC18F4431, PIC18F4450, PIC18F4455, PIC18F4458, PIC18F4480, PIC18F4510, PIC18F4515, PIC18F4520, PIC18F4523, PIC18F4525, PIC18F4550, PIC18F4553, PIC18F4580, PIC18F4585, PIC18F4610, PIC18F4620, PIC18F4680, PIC18F4682, PIC18F4685, PIC18F44J10, PIC18F45J10, PIC18F45J11, PIC18F45J50, PIC18F43K20, PIC18F44K20, PIC18F45K20, PIC18F46K20, PIC18F43K22, PIC18F44K22, PIC18F45K22, PIC18F46K22

dsPIC/PIC24F Microcontroller

- **18 Pin:** PIC24HJ12GP201, dsPIC30F2011, dsPIC30F3012, dsPIC33FJ12GP201
- **20 Pin:** PIC24F04KA201, PIC24F08KA101, PIC24F16KA101
- **28 Pin:** PIC24HJ12GP202, PIC24F08KA102, PIC24F16KA102, PIC24FJ32GB002, PIC24FJ64GB002, PIC24HJ32GP202, PIC24HJ32GP302, PIC24HJ64GP202, PIC24HJ64GP802, PIC24HJ128GP202, PIC24HJ128GP502, PIC24HJ128GP802, PIC24FJ16GA002, PIC24FJ32GA002, PIC24FJ48GA002, PIC24FJ64GA002, PIC24FJ32GA102, PIC24FJ64GA102 dsPIC30F1010, dsPIC30F2010, dsPIC30F2012, dsPIC30F2020, dsPIC30F3010, dsPIC30F3013, dsPIC30F4012 dsPIC33FJ12GP202, dsPIC33FJ64GP802, dsPIC33FJ32GP302, dsPIC33FJ64GP202, dsPIC33FJ64GP802, dsPIC33FJ128GP202, dsPIC33FJ128GP802, dsPIC33FJ06GS102, dsPIC33FJ06GS202, dsPIC33FJ16GS402, dsPIC33FJ16GS502, dsPIC33FJ12MC202, dsPIC33FJ32MC202, dsPIC33FJ32MC302, dsPIC33FJ64MC202, dsPIC33FJ64MC802, dsPIC33FJ128MC202, dsPIC33FJ128MC802
- **40 Pin:** dsPIC30F3011, dsPIC30F4011

Serial EEPROM

- **11LCXX:** 11LC010, 11LC020, 11LC040, 11LC080, 11LC160
- **24LCXX:** 24LC00, 24LC01B, 24LC02B, 24LC32A, 24LC64, 24LC128, 24LC256, 24LC512, 24LC1025
- **25LCXX:** 25LC010A, 25LC020A, 25LC040A, 25LC080A, 25LC080B, 25LC128, 25LC160A, 25LC160B, 25LC256, 25LC320A, 25LC512, 25LC640A, 25LC1024
- **93LCXX[A/B/C]:** 93LC46, 93LC56, 93LC66, 93LC76, 93LC86
- **HCSXX:** HCS200, HCS201, HCS300, HCS301, HCS320, HCS360, HCS361, HCS362

Dispositivi non supportati

24LC65

Documentazione e link utili

- iCP02v2.0 User Manual: [Link](#)
- iCP02v1.0 User Manual: [Link](#)
- PICKit2 Installer: [PICKit2v2.61.zip](#)